



# ZEPHAIRE-240E PLUS

## CONVECTION OVEN

INSTALLATION – OPERATION – MAINTENANCE

# ZEPHAIRE-240E PLUS

## FOURS À CONVECTION

MANUEL D'INSTALLATION – FONCTIONNEMENT – ENTRETIEN



### BLODGETT OVEN COMPANY

[www.blodgett.com](http://www.blodgett.com)

44 Lakeside Avenue, Burlington, Vermont 05401 USA Telephone (802) 658-66000 Fax: (802)864-0183

PN 52789 Rev D (5/11)

© 2011 – G.S. Blodgett Corporation

# IMPORTANT

**WARNING: IMPROPER INSTALLATION, ADJUSTMENT, ALTERATION, SERVICE OR MAINTENANCE CAN CAUSE PROPERTY DAMAGE, INJURY OR DEATH. READ THE INSTALLATION, OPERATING AND MAINTENANCE INSTRUCTIONS THOROUGHLY BEFORE INSTALLING OR SERVICING THIS EQUIPMENT**

**AVERTISSEMENT: UNE INSTALLATION, UN AJUSTEMENT, UNE ALTÉRATION, UN SERVICE OU UN ENTRETIEN NON CONFORME AUX NORMES PEUT CAUSER DES DOMMAGES À LA PROPRIÉTÉ, DES BLESSURES OU LA MORT. LISEZ ATTENTIVEMENT LES DIRECTIVES D'INSTALLATION, D'OPÉRATION ET D'ENTRETIEN AVANT DE FAIRE L'INSTALLATION OU L'ENTRETIEN DE CET ÉQUIPEMENT.**

## FOR YOUR SAFETY

**Do not store or use gasoline or other flammable vapors or liquids in the vicinity of this or any other appliance.**

## AVERTISSEMENT

**Ne pas entreposer ni utiliser de l'essence ni d'autres vapeurs ou liquides inflammables dans le voisinage de cet appareil, ni de tout autre appareil.**

**The information contained in this manual is important for the proper installation, use, and maintenance of this oven. Adherence to these procedures and instructions will result in satisfactory baking results and long, trouble free service. Please read this manual carefully and retain it for future reference.**

**Les informations données dans le présent manuel sont importantes pour installer, utiliser et entretenir correctement ce four. Le respect de ces instructions et procédures permettra d'obtenir de bons résultats de cuisson et une longue durée de service sans problèmes. Veuillez lire le présent manuel et le conserver pour pouvoir vous y reporter à l'avenir.**

**Errors: Descriptive, typographic or pictorial errors are subject to correction. Specifications are subject to change without notice.**

**Erreurs: Les erreurs de description, de typographie ou d'illustration font l'objet de corrections. Les caractéristiques sont sujettes à modifications sans préavis.**



***THE REPUTATION YOU CAN COUNT ON  
UNE RÉPUTATION SUR LAQUELLE VOUS POUVEZ COMPTER***

For over a century and a half, The Blodgett Oven Company has been building ovens and nothing but ovens. We've set the industry's quality standard for all kinds of ovens for every foodservice operation regardless of size, application or budget. In fact, no one offers more models, sizes, and oven applications than Blodgett; gas and electric, full-size, half-size, countertop and deck, convection, Cook'n Hold, Combi-Ovens and the industry's highest quality Pizza Oven line. For more information on the full line of Blodgett ovens contact your Blodgett representative.

Cela fait maintenant dessus un siècle et demi que Blodgett se spécialise dans la fabrication de fours. Nous avons établi les normes de qualité qui s'appliquent dans l'industrie à tous les types de fours utilisés dans les services alimentaires, quel qu'en soit la taille, l'exploitation ou le budget. En fait, ni n'offre plus de modèles, de tailles et d'applications de fours que Blodgett. À gaz et électriques. De tailles différentes, sur plan de travail et superposables. Qu'il s'agisse de fours à convection, des modèles Cook'n Hold et Combi-Oven, ou de la gamme de fours à pizzas de la plus haute qualité offerte sur le marché. Pour de plus amples informations sur la gamme complète de fours Blodgett, veuillez contacter votre représentant Blodgett.

Your Service Agency's Address:  
Adresse de votre agence de service:



Model/Modèle:

---

Serial Number/Numéro de série:

---

Your oven was installed by/  
Installateur de votre four:

---

Your oven's installation was checked by/  
Contrôleur de l'installation de votre four:

---

# Table of Contents/Table des Matières

<b>Installation</b>		<b>Installation</b>	
Oven Description and Specifications . . . .	2	Description et Spécifications du Four . . . .	16
Delivery and Location . . . . .	3	Livraison et Implantation . . . . .	17
Utility Connections – Standards and Codes . . . . .	4	Branchements de Service – Normes et Codes . . . . .	18
Oven Assembly . . . . .	5	Montage du Four . . . . .	19
NSF Bolts . . . . .	5	Boulons NSF . . . . .	19
Leg Attachment . . . . .	6	Assemblage des Pieds . . . . .	20
Caster Assembly . . . . .	6	Montage des Roulettes . . . . .	20
Double Section Assembly . . . . .	7	Montage de la Section Double . . . . .	21
Oven Leveling . . . . .	7	Mise à Niveau du Four . . . . .	21
<b>Operation</b>		<b>Utilisation</b>	
Standard Control . . . . .	8	Commandes Standard . . . . .	22
Solid State Digital Control . . . . .	9	Commandes Numériques à Semi-Conducteurs . . . . .	24
General Guidelines for Operating Personnel . . . . .	11	Consignes Générales à l’Intention des Utilisateurs . . . . .	27
Suggested Times and Temperatures . . . .	12	Durées et Températures Suggérées . . . .	28
<b>Maintenance</b>		<b>Entretien</b>	
Cleaning and Preventative Maintenance .	13	Nettoyage et Entretien Préventif . . . . .	29
Troubleshooting Guide . . . . .	14	Guide de Détection des Pannes . . . . .	30

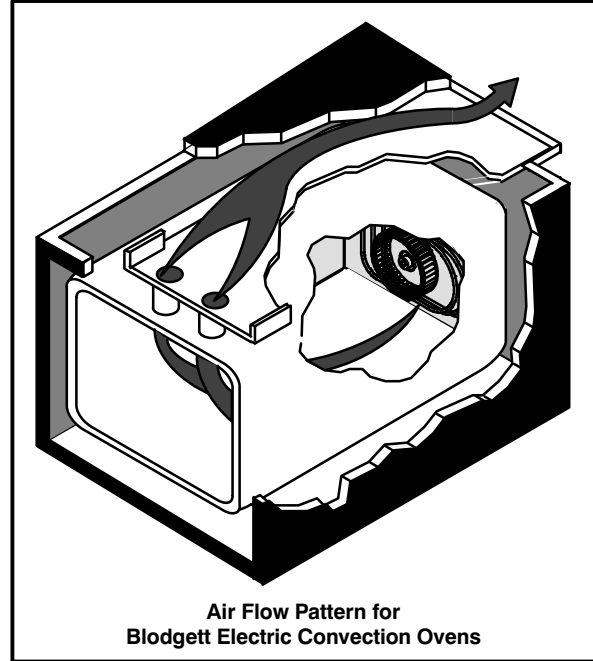


# Installation

## Oven Description and Specifications

Cooking in a convection oven differs from cooking in a conventional deck or range oven since heated air is constantly recirculated over the product by a fan in an enclosed chamber. The moving air continually strips away the layer of cool air surrounding the product, quickly allowing the heat to penetrate. The result is a high quality product, cooked at a lower temperature in a shorter amount of time.

Blodgett convection ovens represent the latest advancement in energy efficiency, reliability, and ease of operation. Heat normally lost, is recirculated within the cooking chamber before being vented from the oven: resulting in substantial reductions in energy consumption and enhanced oven performance.



Air Flow Pattern for  
Blodgett Electric Convection Ovens

Figure 1

ZEPHAIRE-240E PLUS SPECIFICATIONS								
KW/Section	HZ	Volts	Phase	Amperes				Electrical Connection AWG*
				L1	L2	L3	N	
11	60	208	1	51	0	51	—	6
11	60	208	3	31	29	29	—	8
11	60	220-240	1	44	0	44	—	6
11	60	220-240	3	26	24	24	—	8
11	60	480	3	14	13	13	—	12

\* Electric connection wiring is sized for 90°C copper wire at 125% of rated input.



## Delivery and Location

### DELIVERY AND INSPECTION

All Blodgett ovens are shipped in containers to prevent damage. Upon delivery of your new oven:

- Inspect the shipping container for external damage. Any evidence of damage should be noted on the delivery receipt which must be signed by the driver.
- Uncrate the oven and check for internal damage. Carriers will accept claims for concealed damage if notified within fifteen days of delivery and the shipping container is retained for inspection.

**The Blodgett Oven Company cannot assume responsibility for loss or damage suffered in transit. The carrier assumed full responsibility for delivery in good order when the shipment was accepted. We are, however, prepared to assist you if filing a claim is necessary.**

### OVEN LOCATION

The well planned and proper placement of your oven will result in long term operator convenience and satisfactory performance.

The following clearances must be maintained between the oven and any combustible or non-combustible construction.

- Oven body right side – 0" (0 cm)
- Oven body left side – 0" (0 cm)
- Oven body back – 0" (0 cm)
- Oven body bottom – 4-1/2" (11.4 cm)

Adequate clearances must be available for servicing.

- Keep the oven area free and clear of all combustibles such as paper, cardboard, and flammable liquids and solvents.
- Do not place the oven on a curb base or seal to a wall. This will restrict the flow of air and prevent proper ventilation resulting in damage to the oven.

Before making any utility connections to this oven, check the rating plate to be sure the oven specifications are compatible with the electrical services supplied for the oven.

1. The rating plate is attached under ledge above the door.



# Installation

## Utility Connections – Standards and Codes

### ELECTRICAL CONNECTION

The electric motor, indicator lights and related switches are connected to the oven as follows:

The service line will enter trough the rear of the oven and connected to the terminal block (see diagram).

1. Remove the bottom trim and control panel. Removal of the body side is not necessary.
2. Remove knock-out in the rear of the unit and run the supply power line to terminal block and connect the wires.
3. Reinstall the control panel and the bottom trim.

THE BLODGETT OVEN COMPANY CANNOT ASSUME RESPONSIBILITY FOR LOSS OR DAMAGE SUFFERED AS A RESULT OF IMPROPER INSTALLATION.

THE INSTALLATION INSTRUCTIONS CONTAINED HEREIN ARE FOR THE USE OF QUALIFIED INSTALLATION AND SERVICE PERSONNEL ONLY. INSTALLATION OR SERVICE BY OTHER THAN QUALIFIED PERSONNEL MAY RESULT IN DAMAGE TO THE OVEN AND/OR INJURY TO THE OPERATOR.

Qualified installation personnel are individuals, a firm, a corporation, or a company which either in person or through a representative are engaged in, and responsible for:

- the installation of electrical wiring from the electric meter, main control box or service outlet to the electric appliance.

Qualified installation personnel must be experienced in such work, familiar with all precautions required, and have complied with all requirements of state or local authorities having jurisdiction.

### U.S. and Canadian installations

Installation must conform with local codes, or in the absence of local codes, with the *National Electrical Code, ANSI/NFPA 70–Latest Edition* and/or *Canadian National Electric Code C22.2* as applicable.

Appliance is to be installed with backflow prevention in accordance with applicable federal, province and local codes.

### General export installations

Installation must conform with Local and National installation standards. Local installation codes and/or requirements may vary. If you have any questions regarding the proper installation and/or operation of your Blodgett oven, please contact your local distributor. If you do not have a local distributor, please call the Blodgett Oven Company at 0011-802-860-3700.

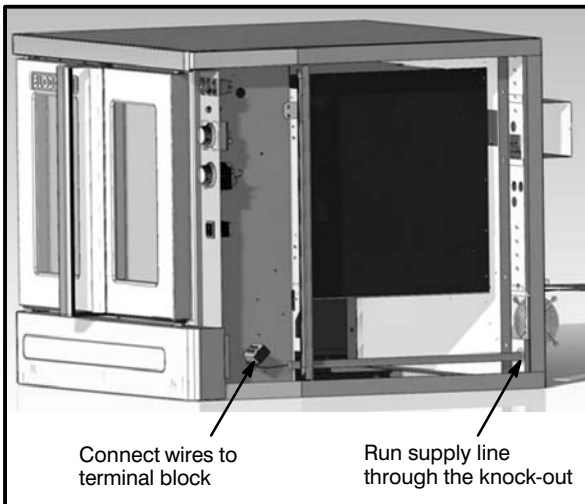


Figure 2



## Oven Assembly

### NSF BOLTS

These bolts are required by NSF to block any exposed hole on the back of an oven. This includes:

- any unit, single or stacked, without a back panel.
1. Locate the 5/16" bolts that were shipped with the oven.
  2. Install the bolts as shown in Figure 3.

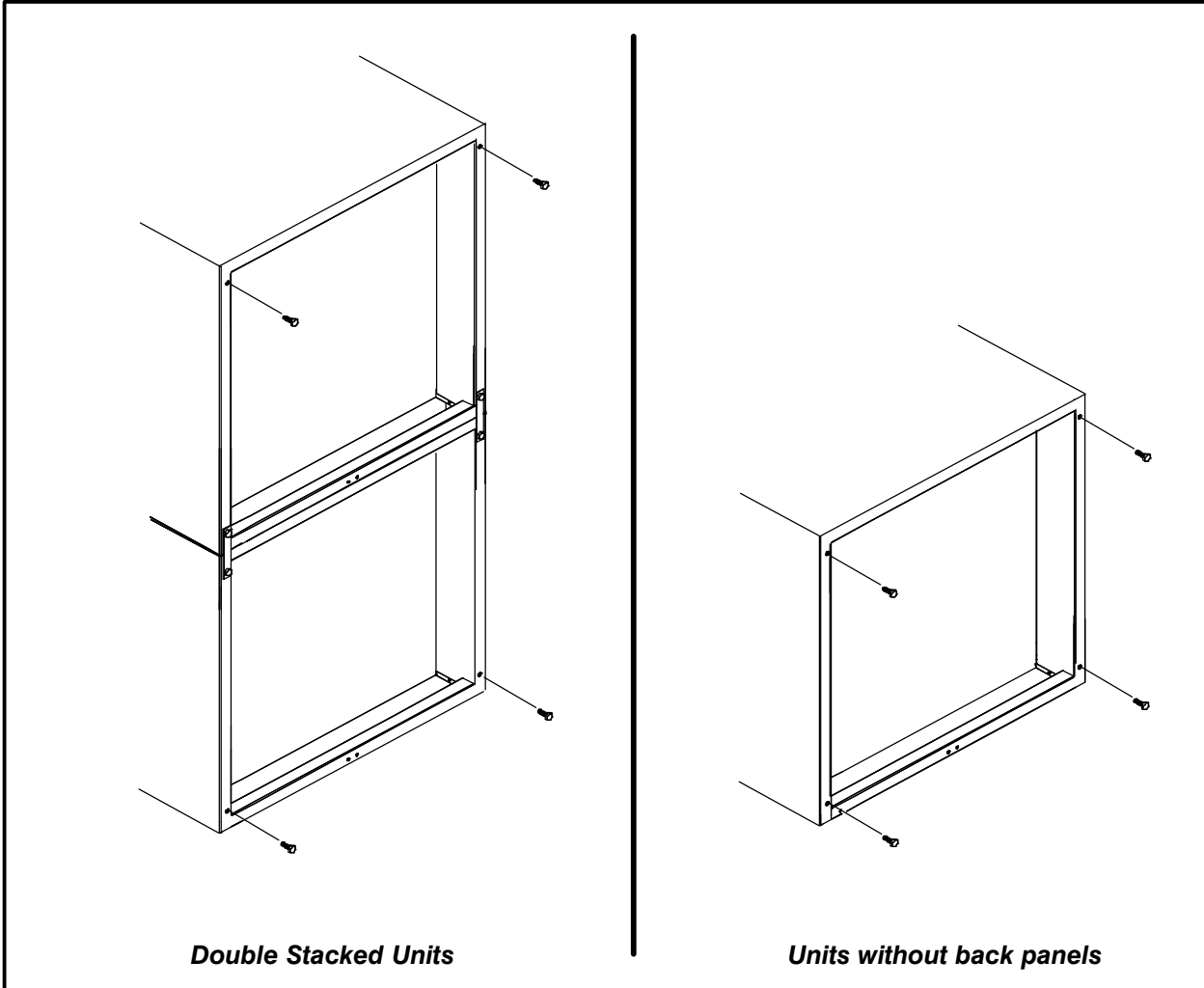


Figure 3



# Installation

## Oven Assembly

### LEG ATTACHMENT

1. Push the oven onto a lift with the bottom of the oven down.
2. Align the threaded stud in each leg with the nut located inside each bottom corner of the oven frame. Turn the legs clockwise and tighten to the nearest full turn.
3. Align the two leg plate holes in each leg with those in the oven bottom. Secure each leg using two 1/2" bolts.

*NOTE: If using casters see CASTER ASSEMBLY before proceeding.*

4. Level the oven by screwing the adjustable leg feet in or out as necessary.

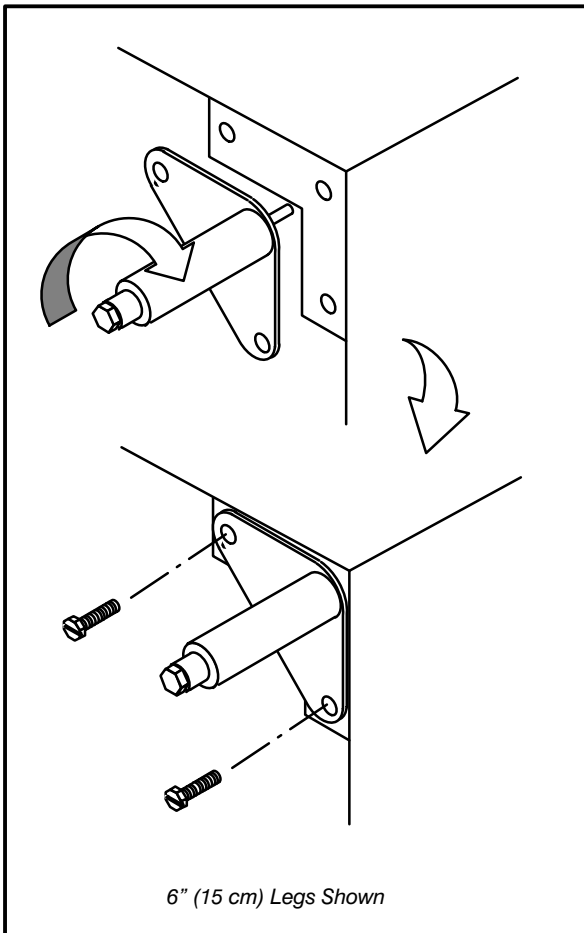


Figure 4

### CASTER ASSEMBLY

*NOTE: Install the locking casters on the front of the oven. Install the non-locking casters on the back of the oven.*

#### Casters for Single and Double Stacked Ovens:

1. Attach the legs as described.
2. Pry the adjustable feet out of the legs.
3. Insert one caster into each leg as shown. Tighten the large hex nut to secure the casters.

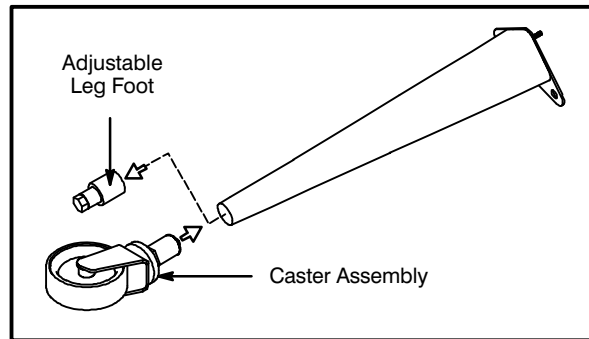


Figure 5

#### Low Profile Casters for Double Stacked Ovens:

1. Align the three holes in each caster assembly plate with those in the oven bottom. Secure each caster using three 1/2" bolts.

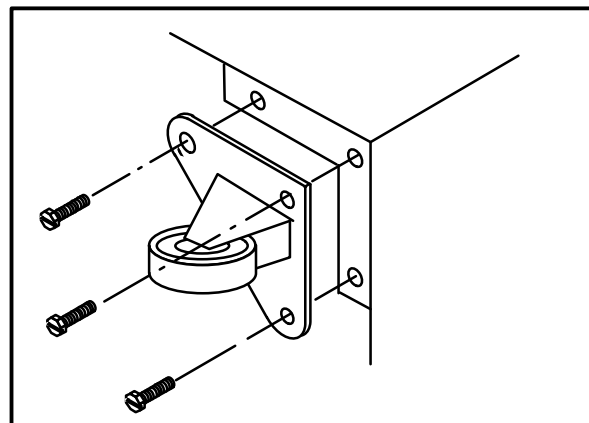


Figure 6



## Oven Assembly

### DOUBLE SECTION ASSEMBLY

1. Secure the short legs to the bottom sections as described.
2. Place the upper section in position on top of the lower oven.
3. Attach the stacking brackets using the remaining 5/16" bolts shipped with the ovens.
4. Attach the flue connector.



### WARNING!!

When stacking ovens be sure to remove the single oven flue boxes prior to attaching three-piece connector.

### OVEN LEVELING

After assembly, the oven should be leveled and moved to the operating location.

1. The oven can be leveled by adjusting the feet or casters located on the bottom of each leg.

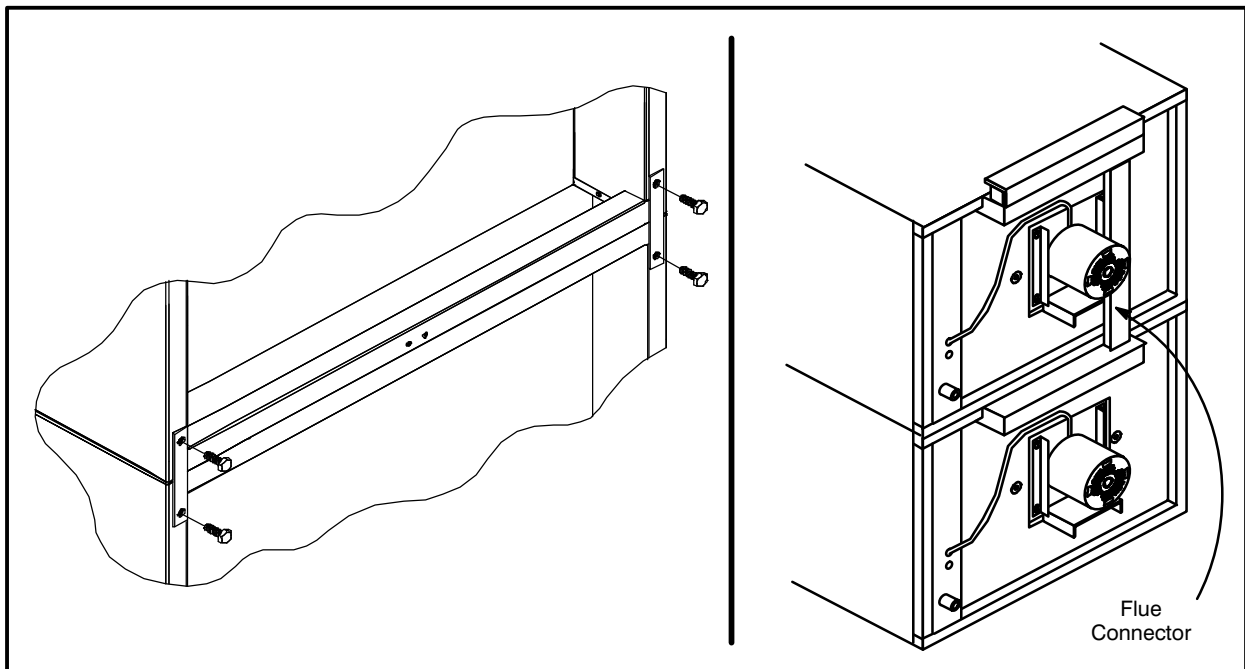


Figure 7



# Operation

## Standard Control

The diagram shows the control panel for a ZEPHAIRE oven. At the top, there are three switches: 1. LIGHTS ON/OFF, 2. BLOWER HI/OFF/LOW, and 3. COOL DOWN MAN/AUTO. Below these is a light labeled 'LIGHT OFF OVEN READY' (4). The main control is a large dial (5) for temperature, with Fahrenheit (200-500) and Celsius (93-260) scales. Below the temperature dial is a smaller dial (6) for the cook timer, ranging from 0 to 60 minutes. At the bottom is a small rectangular window, likely for the timer display. The brand name 'ZEPHAIRE' is printed at the bottom of the panel.

The information contained in this section is provided for the use of qualified operating personnel. Qualified operating personnel are those who have carefully read the information contained in this manual, are familiar with the functions of the oven and/or have had previous experience with the operation of the equipment described. Adherence to the procedures recommended herein will assure the achievement of optimum performance and long, trouble-free service.

### CONTROL DESCRIPTION

1. CAVITY LIGHTS ON/OFF – Operates the oven cavity lights.
2. BLOWER HI/LO/OFF SWITCH – Controls the operation of the blower. If the blower switch is in the OFF position the oven will be turned off.
3. COOL DOWN SWITCH – When the switch is in the AUTO position, the oven can be used to cook. When the switch is in the MAN position, the oven is cooling down for the next bake.
4. OVEN READY LIGHT - When lit indicates elements are heating. When the light goes out the oven has reached operating temperature.
5. THERMOSTAT - Controls the temperature at which the oven will operate. Temperatures can range from 200-500°F (93-260°C).
6. COOK TIMER - Used to time the length of the cooking operation. When the set time expires, a buzzer will sound.

### OPERATION

1. Set the COOL DOWN switch (3) to the AUTO position. Turn the THERMOSTAT (5) to the desired operating temperature.
2. Set the BLOWER SWITCH (2) to the HI position. When the OVEN READY light (4) goes out, load the product and set the COOK TIMER (6).
3. When the timer sounds, remove the product. If the next product requires a lower operating temperature, then the cool down mode can be used. Set the BLOWER SWITCH (2) to the LO position. Turn the COOL DOWN SWITCH (3) to the MAN position. Make sure that the door is open.
4. Turn the oven off by setting the BLOWER SWITCH (2) to the OFF position.

Figure 8

## Solid State Digital Control

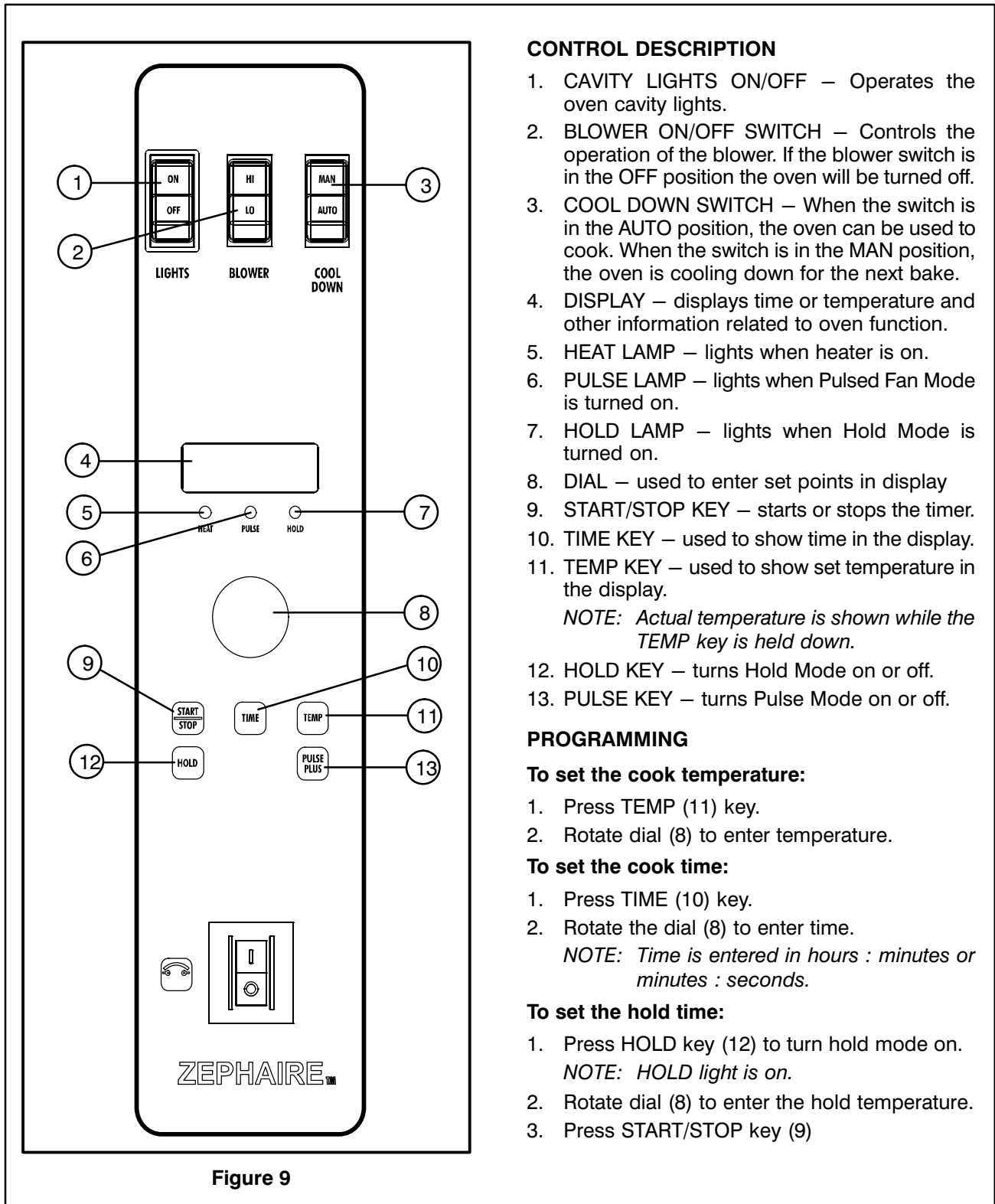


Figure 9

### CONTROL DESCRIPTION

1. CAVITY LIGHTS ON/OFF – Operates the oven cavity lights.
2. BLOWER ON/OFF SWITCH – Controls the operation of the blower. If the blower switch is in the OFF position the oven will be turned off.
3. COOL DOWN SWITCH – When the switch is in the AUTO position, the oven can be used to cook. When the switch is in the MAN position, the oven is cooling down for the next bake.
4. DISPLAY – displays time or temperature and other information related to oven function.
5. HEAT LAMP – lights when heater is on.
6. PULSE LAMP – lights when Pulsed Fan Mode is turned on.
7. HOLD LAMP – lights when Hold Mode is turned on.
8. DIAL – used to enter set points in display
9. START/STOP KEY – starts or stops the timer.
10. TIME KEY – used to show time in the display.
11. TEMP KEY – used to show set temperature in the display.

*NOTE: Actual temperature is shown while the TEMP key is held down.*

12. HOLD KEY – turns Hold Mode on or off.
13. PULSE KEY – turns Pulse Mode on or off.

### PROGRAMMING

#### To set the cook temperature:

1. Press TEMP (11) key.
2. Rotate dial (8) to enter temperature.

#### To set the cook time:

1. Press TIME (10) key.
2. Rotate the dial (8) to enter time.

*NOTE: Time is entered in hours : minutes or minutes : seconds.*

#### To set the hold time:

1. Press HOLD key (12) to turn hold mode on.  
*NOTE: HOLD light is on.*
2. Rotate dial (8) to enter the hold temperature.
3. Press START/STOP key (9)



# Operation

## Solid State Digital Control

### To set the pulse time:

1. Press PULSE KEY (13) to turn pulse mode on.  
*NOTE: Pulse light is on.*
2. Rotate DIAL (8) to enter the pulse time. Pulse time is a portion of the pre-set cook time.

### OPERATION

#### Cook Only:

1. Turn the BLOWER switch (2) to the desired position.
2. Enter the cook time and temperature.
3. Load product into the oven.  
*NOTE: The display reads LOAD when the oven is near the set temperature.*
4. Press the START/STOP key (9). The timer begins to count down.
5. When the cook timer reaches 00:00 the buzzer sounds and the display reads *DONE*.
6. Press the START/STOP key (9) to silence the buzzer.
7. Remove the product.

#### Cook with Hold:

*NOTE: HOLD light is on when hold mode is on and off when hold mode is off.*

1. Turn the BLOWER switch (2) to the desired position.
2. Enter the cook time and temperature.
3. Press the HOLD key (12). Enter the hold temperature.
4. Load product into the oven.  
*NOTE: The display reads LOAD when the oven is near the set temperature.*
5. Push the START/STOP (9) key. Timer begins to count down.
6. When the cook timer reaches 00:00 the buzzer sounds and the display reads *DONE*. The buzzer turns off after a few seconds. The display reads *HOLD* until the oven reaches the hold temperature. Then the timer begins to count up.
7. Push the START/STOP key (9) to stop timer.
8. Remove the product.
9. Push HOLD (12) key to turn off hold mode.

### Cook with Pulse:

*NOTE: PULSE light is on when pulse mode is on and off when pulse mode is off.*

1. Turn the BLOWER switch (2) to the desired position.
2. Enter cook time and cook temperature.
3. Press PULSE KEY (13). Enter the pulse time.  
*NOTE: Pulse time is a portion of the cook time and does not increase the previously entered cook time.*
4. Load product into the oven.  
*NOTE: The display reads LOAD when the oven is near the set temperature.*
5. Push START/STOP KEY (9). The timer begins to count down the cook time. The oven will be in pulse mode for the set pulse time. Once the set time has expired, the unit will automatically switch to cook mode and continue counting down.
6. When the cook timer reaches 00:00 the buzzer sounds and the display reads *DONE*.
7. Push the START/STOP KEY (9) to turn the buzzer off.
8. Remove the product.



### WARNING!!

**A complete five minute shutdown must be observed before the oven is relighted.**

## General Guidelines for Operating Personnel

### COOK TIMES AND TEMPERATURES

#### Preheating the oven

Always preheat the oven before baking or roasting. We recommend preheating 50°F (28°C) above the cook temperature to offset the drop in temperature when the doors are opened and cold product is loaded into the oven. Set the thermostat to the cook temperature after the product is loaded.

*NOTE: For frozen product, preheat the oven 100°F (56°C) above the cook temperature.*

#### Cook Temperatures

Generally, cook temperatures should be 50°F (28°C) lower than deck or range oven recipes. Use this as a starting point and adjust the temperature as necessary. If the edges of the product are done but the center is raw, or if there is color variation, reduce the thermostat setting another 25-50°F (14-28°C). Continue to reduce the cook temperature on successive loads until the desired results are achieved.

*NOTE: Cooking at excessive temperatures will not reduce cook time, it will produce unsatisfactory baking and roasting results.*

#### Cook Time

Check the product in about half the time recommended for deck or range oven recipes. Record times and temperatures which provide best results for future reference.

*NOTE: Cook time will vary with the amount of product loaded, the type of pan and the temperature.*

### OPERATING TIPS

#### Pans and Racks

Product or pan height determines how many racks are used. The oven holds up to 10 18" x 26" (45.7 x 66.0 cm) bun pans.

Load the oven from the bottom, centering the pans on the rack. Never place a pan or aluminum foil on the bottom of the oven. This obstructs the flow of air and results in uneven baking and roasting.

#### Roasting

To reduce shrinkage when roasting, place meat directly on the racks. Place a sheet pan one-half full of water in the bottom rack position. The water evaporates, increasing humidity in the oven chamber. The pan catches grease from the meat, making oven cleaning easier.

#### Baking

Weigh the product to ensure equal distribution in each pan. Varying amounts of product will cause uneven baking results.

#### Fans

The fan must be operating for the oven to heat. Use the Pulse Plus feature to allow light or liquid product to set in the pan and to avoid rippling towards the fan. If your oven is not equipped with this feature use the following procedure.

1. Preheat the oven 25°F (14°C) above the baking temperature.
2. Load the oven with product. Close the doors.
3. Set the thermostat to the baking temperature.
4. Turn the oven off.
5. Allow the product to set for 5–7 minutes with the fan off. The residual heat in the oven sets the product.
6. Turn the oven on for the remainder of the bake.

#### Lights

Turn the oven lights off when not viewing the product. Leaving the lights on for extended periods of time shortens the bulb life considerably.



# Operation

## Suggested Times and Temperatures

Product	Temperature	Time	# Shelves
<b>Meats</b>			
Hamburger Patties (5 per lb)	400°F (205°C)	8-10 mins.	10
Steamship Round (80 lb. quartered)	275°F (135°C)	2 hrs 45 mins.	2
Standing Rib Choice (20 lbs, trimmed, rare)	235°F (115°C)	2 hrs 45 mins.	2
Banquet Shell Steaks (10 oz. meat)	450°F (235°C)	7-8 mins.	5
Swiss Steak after Braising	275°F (135°C)	1 hr.	5
Baked Stuffed Pork Chop	375°F (190°C)	25-30 mins.	5
Boned Veal Roast (15 lbs.)	300°F (150°C)	3 hrs. 10 mins.	2
Lamb Chops (small loin)	400°F (205°C)	7-8 mins.	5
Bacon (on racks in 18" x 26" pans)	400°F (205°C)	5-7 mins.	10
<b>Poultry</b>			
Chicken Breast & Thigh	350°F (175°C)	40 mins.	5
Chicken Back & Wing	350°F (175°C)	35 mins.	5
Chicken (2 <sup>1</sup> / <sub>2</sub> lbs. quartered)	350°F (175°C)	30 mins.	5
Turkey Rolled (18 lb. rolls)	310°F (155°C)	3 hrs 45 mins.	3
<b>Fish and Seafood</b>			
Halibut Steaks, Cod Fish (frozen 5 oz)	350°F (175°C)	20 mins.	5
Baked Stuffed Lobster (2 <sup>1</sup> / <sub>2</sub> lb.)	400°F (205°C)	10 mins.	3
Lobster Tails (frozen)	425°F (220°C)	9 mins.	5
<b>Cheese</b>			
Macaroni & Cheese Casserole	350°F (175°C)	30 mins.	5
Melted Cheese Sandwiches	400°F (205°C)	8 mins.	10
<b>Potatoes</b>			
Idaho Potatoes (120 ct.)	400°F (205°C)	50 mins.	5
Oven Roasted Potatoes (sliced or diced)	325°F (165°C)	10 mins.	5
<b>Baked Goods</b>			
Frozen Berry Pies (22 oz)	325°F (150°C)	35 mins.	5 (30 pies)
Fresh Apple Pie (20 oz.)	350°F (175°C)	25-30 mins.	5 (30 pies)
Pumpkin Pies (32 oz.)	300°F (150°C)	30-50 mins.	5 (20 pies)
Fruit Crisp	300°F (150°C)	25 mins.	5
Bread (24 - 1 lb. loaves)	325°F (155°C)	30 mins.	3
Southern Corn Bread	375°F (190°C)	15-20 mins.	5
Baking Soda Biscuits	400°F (205°C)	6 mins.	5
Brown & Serve Rolls	350°F (175°C)	15 mins.	5
Sheet Cakes (5 lb. mixed batter per pan)	325°F (160°C)	16-18 mins.	5
Chocolate Cake	325°F (160°C)	20 mins.	5
Brownies	325°F (150°C)	15 mins.	5

*NOTE: Actual times and temperatures may vary considerably from those shown above. They are affected by weight of load, temperature of the product, recipe, type of pan and calibration of thermostat. Should your recipe vary, write in your proven time and temperature for ready reference.*



## Cleaning and Preventative Maintenance

### CLEANING THE OVEN



#### **WARNING!!**

Always clean the unit when it is cold.



#### **WARNING!!**

Be sure to read and follow the MSDS or safety instructions on the bottle for your oven cleaner.

#### **Cleaning the Exterior**

1. Saturate a cloth with stainless steel cleaner and wipe down the exterior.

*NOTE: Heat tint and heavy discoloration may be removed with any non-caustic commercial oven cleaner.*

2. Dry the oven with a clean cloth.

#### **Cleaning the Oven Interior**

1. Remove the racks, rack supports and blower wheel cover (back panel) from the oven. Soak the parts in a solution of ammonia and water.

*NOTE: To remove the blower wheel cover loosen the screws in each corner. Then lift up and out.*

2. The porcelain interior can be cleaned with any commercial oven cleaner. Be sure caustic cleaning compounds DO NOT come in contact with the temperature probe, heating element, and blower wheel. Let the cleaner sit for 10-20 minutes or the length of time recommended on your cleaner.
3. Wipe out the cleaner with a wet cloth.
4. Reinstall the racks, rack supports and blower wheel cover.

#### **Weekly Cleaning**

Be sure the air intake (cooling fan) behind the oven is free of all lint, grease or other air flow inhibitors. Keeping the air intake free of obstructions will extend the life of the oven components.

### PREVENTATIVE MAINTENANCE

The best preventative maintenance measures are, the proper installation of the equipment and a program for routinely cleaning the ovens.

#### **Annual Maintenance**

This oven requires no lubrication, however, the venting system should be checked annually for possible deterioration resulting from moisture and corrosive flue products.

If maintenance or repairs are required, contact your local Blodgett service company, a factory representative or the Blodgett Oven company.



#### **WARNING!!**

Always disconnect the appliance from the power supply before servicing or cleaning.



# Maintenance

## Troubleshooting Guide

POSSIBLE CAUSE(S)	SUGGESTED REMEDY
SYMPTOM: Elements will not heat	
<ul style="list-style-type: none"> <li>• Oven not plugged in.</li> <li>• Power switch on the control panel is off.</li> <li>• Control set below ambient temperature.</li> <li>• Doors are open.</li> </ul>	<ul style="list-style-type: none"> <li>• Plug in electrical supply cord.</li> <li>• Set the control panel to COOK or OVEN ON.</li> <li>• Set to desired cook temperature.</li> <li>• Close doors.</li> </ul>
SYMPTOM: Oven does not come to ready.	
<ul style="list-style-type: none"> <li>• The oven has not reached preheat temperature.</li> <li>• Internal problem with main temperature control.</li> </ul>	<ul style="list-style-type: none"> <li>• Wait for oven to reach preheat temperature.</li> <li>• *</li> </ul>
SYMPTOM: Convection fan does not run.	
<ul style="list-style-type: none"> <li>• Oven is not plugged in.</li> <li>• Circuit breaker tripped.</li> <li>• Doors are open</li> </ul>	<ul style="list-style-type: none"> <li>• Plug in electrical supply cord.</li> <li>• Reset the breaker.</li> <li>• Close doors.</li> </ul>
SYMPTOM: General baking problems.	
<ul style="list-style-type: none"> <li>• Thermostat out of calibration.</li> </ul>	<ul style="list-style-type: none"> <li>• *</li> </ul>
<p>*Denotes remedy is a difficult operation and should be performed by qualified personnel only. It is recommended, however, that All repairs and/or adjustments be done by your local Blodgett service agency and not by the owner/operator. Blodgett cannot assume responsibility for damage as a result of servicing done by unqualified personnel.</p>	



### **WARNING!!**

**Always disconnect the power supply before cleaning or servicing the oven.**

**Zephaire-E240**  
**Fours à Convection**  
**Manuel D'Installation – Utilisation – Entretien**

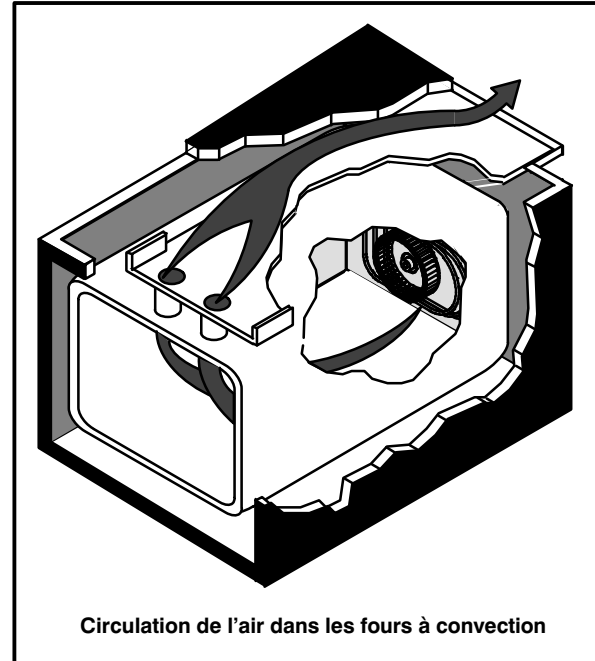


## Installation

### Description et Spécifications du Four

La cuisson dans un four à convection diffère de la cuisson dans un four de cuisine ordinaire en ce sens que de l'air chaud circule en permanence autour de l'aliment cuit, sous l'effet d'un ventilateur enfermé dans une enceinte spéciale. Le mouvement continu de l'air, en éliminant constamment la couche d'air froid qui se formerait autrement autour de l'aliment, permet la pénétration plus rapide de la chaleur. Il en résulte un aliment de qualité comparable à ceux préparés dans un four ordinaire, mais cuit à température inférieure et en moins de temps.

Le four à convection représente ce qu'il y a de plus perfectionné en termes de rendement énergétique, de fiabilité et de facilité d'emploi. Comme la source thermique se trouve à l'intérieur même de la chambre de cuisson, d'importantes économies d'énergie peuvent être réalisées en même temps que d'excellents résultats de cuisson.



Circulation de l'air dans les fours à convection

Figure 1

SPÉCIFICATIONS DE ZEPHAIRE-240E PLUS								
KW par section de four	HZ	Tension	Phase	Ampères				Connexion électrique (calibre minimum)*
				L1	L2	L3	N	
11	60	208	1	51	0	51	—	6
11	60	208	3	31	29	29	—	8
11	60	220-240	1	44	0	44	—	6
11	60	220-240	3	26	24	24	—	8
11	60	480	3	14	13	13	—	12

\* La dimension du câblage des connexions électriques est déterminée pour les fils de cuivre de 90 °C à 125 °C, 100 % de la puissance d'entrée nominale.



### LIVRAISON ET INSPECTION

Tous les fours sont expédiés en conteneurs. A la réception de votre four Blodgett vous devez:

- Vérifier que les emballages ne sont pas abimés. Toute défection dans l'emballage doit être notée sur l'accusé de réception de la marchandise; celui-ci doit être signé par le chauffeur.
- Sortir le four de son emballage et vérifier son bon état. Les transporteurs n'acceptent les réclamations et plaintes que si elles sont faites dans les quinze jours qui suivent la livraison et si l'emballage a été conservé afin d'être inspecté.

**La Blodgett Oven Co., n'est pas responsable des dégâts subis pendant le transport. Le transporteur est seul responsable de la livraison du matériel en bon état lorsque l'expédition a été acceptée. Néanmoins, nous sommes à votre disposition pour vous aider à composer votre dossier de réclamation.**

### IMPLANTATION DU FOUR

L'implantation correcte et bien étudiée du four sera à l'avantage à long terme de l'opérateur et permettra d'obtenir un rendement satisfaisant.

Les espaces de dégagement ci-dessous doivent être prévus entre le four et toute construction combustible ou non.

- Côté droit du four – 0 cm (0 po)
- Côté gauche du four – 0 cm (0 po)
- Arrière du four – 0 cm (0 po)
- Dessous du four – 11.4 cm (4-1/2 po)

À dégagements proportionnés doivent être disponibles pour l'entretien.

- Maintenez la zone du four libre et dégagée de tous matériaux combustibles tels que le papier, le carton, ainsi que les liquides et solvants inflammables.
- NE placez PAS le four sur un socle à bordure. L'une comme l'autre de ces installations gênera la circulation d'air vers le compartiment de combustion et empêchera une bonne ventilation des moteurs de soufflantes.

Avant de raccorder le four aux prises des services publics, vérifier la plaque signalétique afin de s'assurer que les spécifications du four soient compatibles avec les services électriques fournis à ce dernier.

1. La plaque signalétique est fixée sous le rebord du four, au-dessus de la porte.



# Installation

## Branchements de Service – Normes et Codes

### BRANCHEMENTS DE SERVICE

Le moteur électrique, les voyants lumineux et les interrupteurs connexes sont raccordés au four comme suit :

Le branchement doit être fait à I<sub>1</sub> et doit être relié au bornier d<sub>1</sub> (voir le schéma ci-dessous).

1. Retirer la garniture inférieure et les couvercles du panneau de commande. Il n'est nécessaire de retirer le panneau latéral.
2. Retirer le disque défonçable à l'arrière de l'appareil et amener la ligne d'alimentation au bornier et raccorder les fils.
3. Réinstaller la garniture inférieure et les couvercles du panneau de commande.

LA SOCIÉTÉ BLODGETT NE SAURAIT ÊTRE TENUE POUR RESPONSABLE DES PERTES OU DOMMAGES SUBI PAR SUITE DE L'INSTALLATION INCORRECTE DE FOURS.

LES CONSEILS D'INSTALLATION ET D'ENTRETIEN CONTENUS DANS CE MANUEL NE S'ADRESSENT QU'À UN PERSONNEL QUALIFIÉ. UN PERSONNEL NON QUALIFIÉ PEUT SE BLESSE ET/OU ABÎMER LE FOUR LORS DE SON INSTALLATION ET/OU SON ENTRETIEN.

Un personnel d'installation qualifié est représenté soit par des personnes physiques, soit par un société, une usine, une corporation qui en personne ou par l'intermédiaire d'un représentant s'engage à et est responsable de:

- l'installation du câblage électrique reliant le compteur d'électricité, l'armoire électrique ou la prise de courant à l'appareil électrique.

Le personnel d'installation qualifié doit être expérimenté dans ce type de travail, s'être familiarisé avec toutes les précautions requises et respecter tous les règlements promulgués par les autorités provinciales ou locales compétentes.

### Installation aux États-Unis et au Canada

La mise en service doit respecter les normes locales ou, en l'absence de tels normes, les règlements suivants : *National Electrical Code, ANSI/NFPA 70 – dernière édition ou le Code canadien de l'électricité CSA C22.1*, selon le cas.

L'appareil doit être installé avec l'empêchement de refoulement selon les codes fédérale, provincial et locaux.

### Généralités concernant les installations à l'exportation

Les installations doivent être conformes avec les normes d'installation locales et nationales. Les codes locaux d'installation peuvent varier. Pour toute question concernant l'installation et/ou le fonctionnement correct du four Blodgett, prendre contact avec le distributeur local. S'il n'y a pas de distributeur local, appeler la Blodgett Oven Company au 0011-802-860-3700.

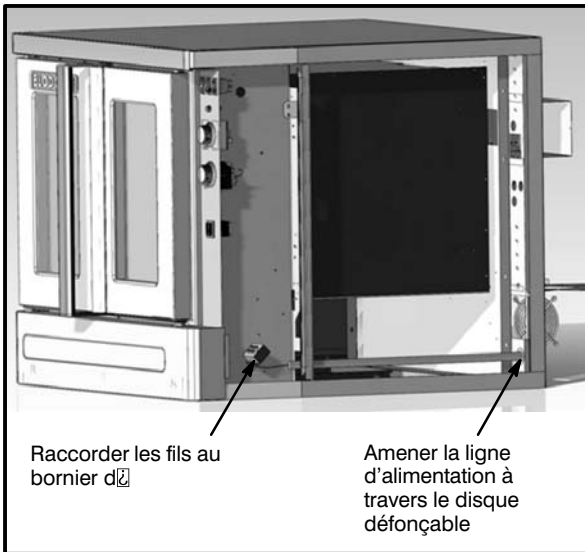


Figure 2





## Montage du Four

### BOULONS NSF

La NSF exige la pose de boulons dans tous les trous vides situés à l'arrière du four, notamment dans les cas suivants :

- tout appareil, seul ou superposé, ne comportant aucun panneau arrière
- tout trou d'appareils superposés ne servant pas à maintenir une ferrure de montage superposé.

1. Repérez les boulons de 5/16 po expédiés avec le four.
2. Posez les boulons comme l'illustre la Figure 3.

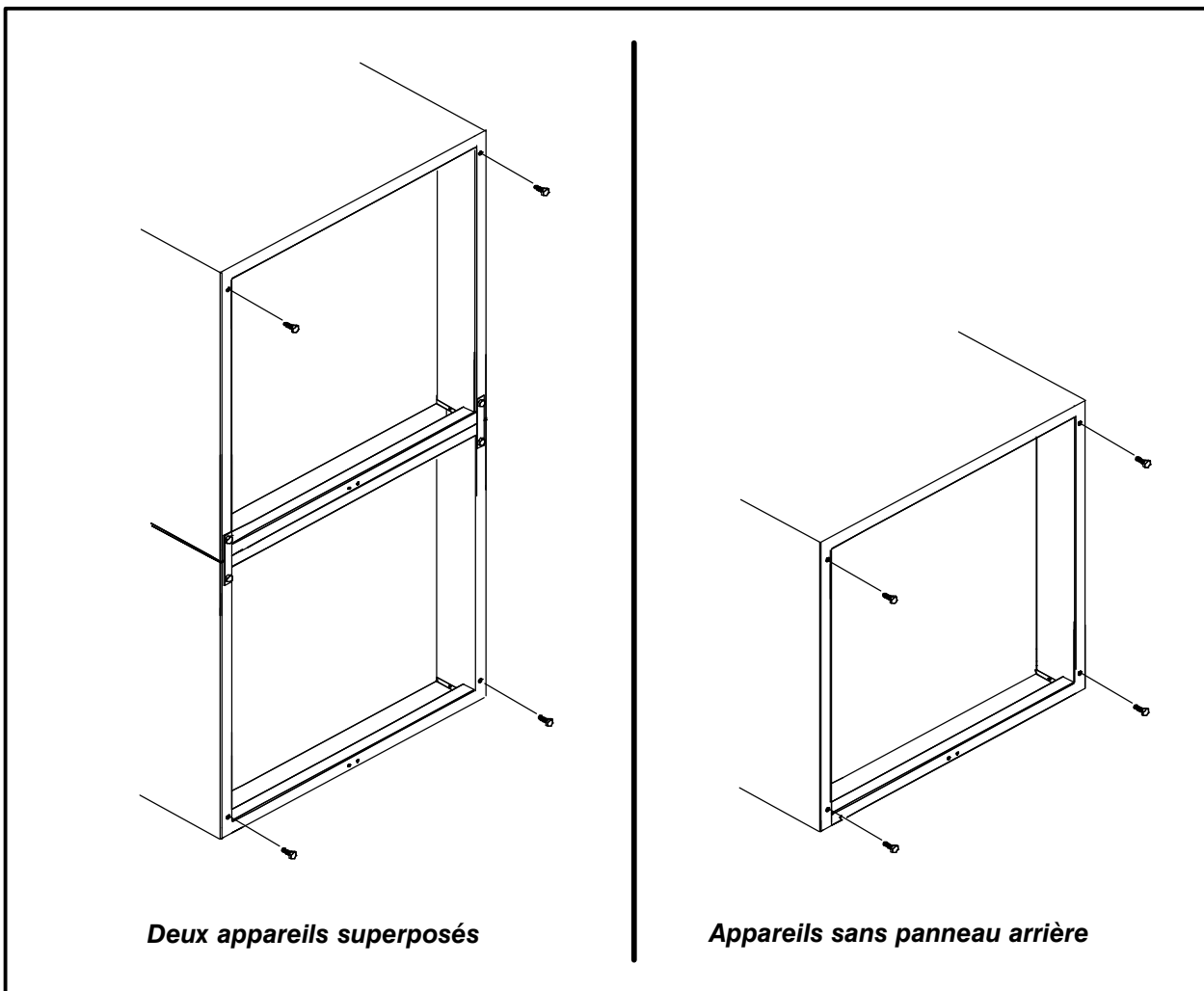


Figure 3



# Installation

## Montage du Four

### ASSEMBLAGE DES PIEDS

1. Pousser le four, couché sur le dos, sur un élévateur.
2. Alignez le goujon fileté du pied sur le trou de vis prévu dans le coin avant du fond de caisse. Vissez le pied, dans le sens des aiguilles d'une montre, jusqu'au dernier tour complet possible.
3. Alignez les deux orifices de la plaque du pied sur les trous prévus au bas du four. Fixez le pied à l'aide de deux boulons de 12.7 mm (1/2 po).

*REMARQUE: Si des roulettes sont utilisées, voir MONTAGE DES ROULETTES avant de continuer.*

4. Si nécessaire, mettez le four de niveau en visant ou en dévissant la vis de niveau des pieds réglables.

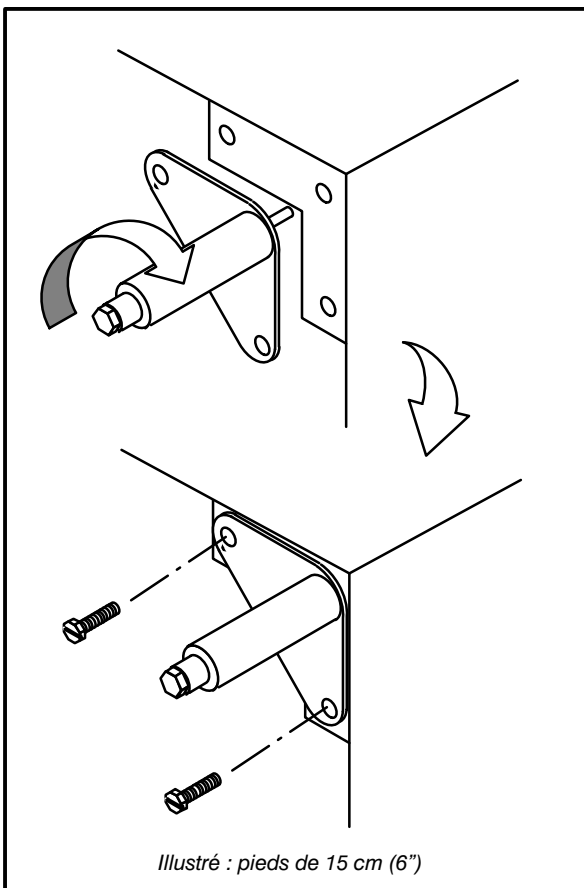


Figure 4

### MONTAGE DES ROULETTES

*REMARQUE: Installer les roulettes à frein sur le devant du four. Installer les roulettes sans frein à l'arrière.*

#### Roulettes pour four simple ou pour four superposés :

1. Placer les pieds comme décrit.
2. Desserrer l'écrou de blocage des embouts au bas de chaque pied réglable. Retirer les embouts.
3. Insérer une roulette dans chaque pied, comme illustré. Serrer les écrous de blocage pour fixer les roulettes.

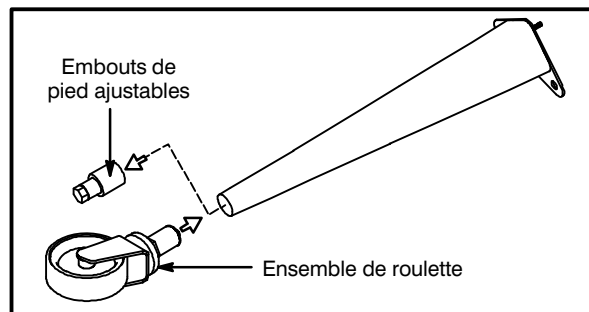


Figure 5

#### Roulettes de bas profile pour deux fours superposés :

1. Aligner les trois trous dans chaque plaque de l'ensemble de roulette avec les trous dans le fond du four. Fixer chaque roulette à l'aide de trois boulons de 12.7 mm (1/2 po).

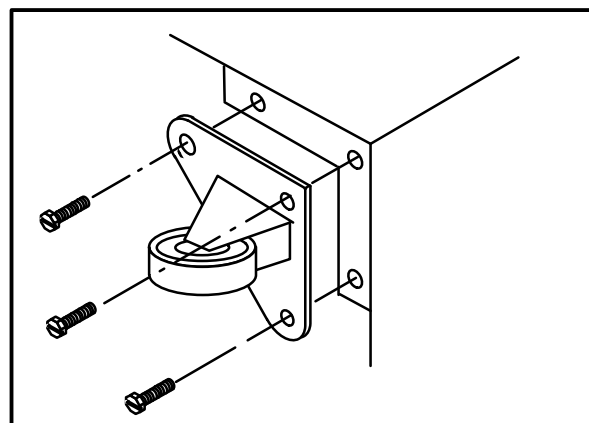


Figure 6



## Montage du Four

### MONTAGE DE LA SECTION DOUBLE

1. Fixez les pieds de courte longueur au bas de la section inférieure comme décrit.
2. Posez la section supérieure par-dessus la section inférieure.
3. Fixez les ferrures de montage superposé au moyen des autres boulons de 5/16 po expédiés avec les fours.
4. Raccordez le connecteur de carneau.



### AVERTISSEMENT!!

Lors de la superposition de deux fours simples, il est nécessaire d'enlever les boîtes de carneau des unités simples avant l'installation du connecteur à trois pièces.

### MISE À NIVEAU DU FOUR

Après assemblage le four doit être mis à niveau et installé à son emplacement d'utilisation.

1. Le four peut être mis à niveau en ajustant les vis de mise à niveau ou les roulettes en bas de chaque pied.

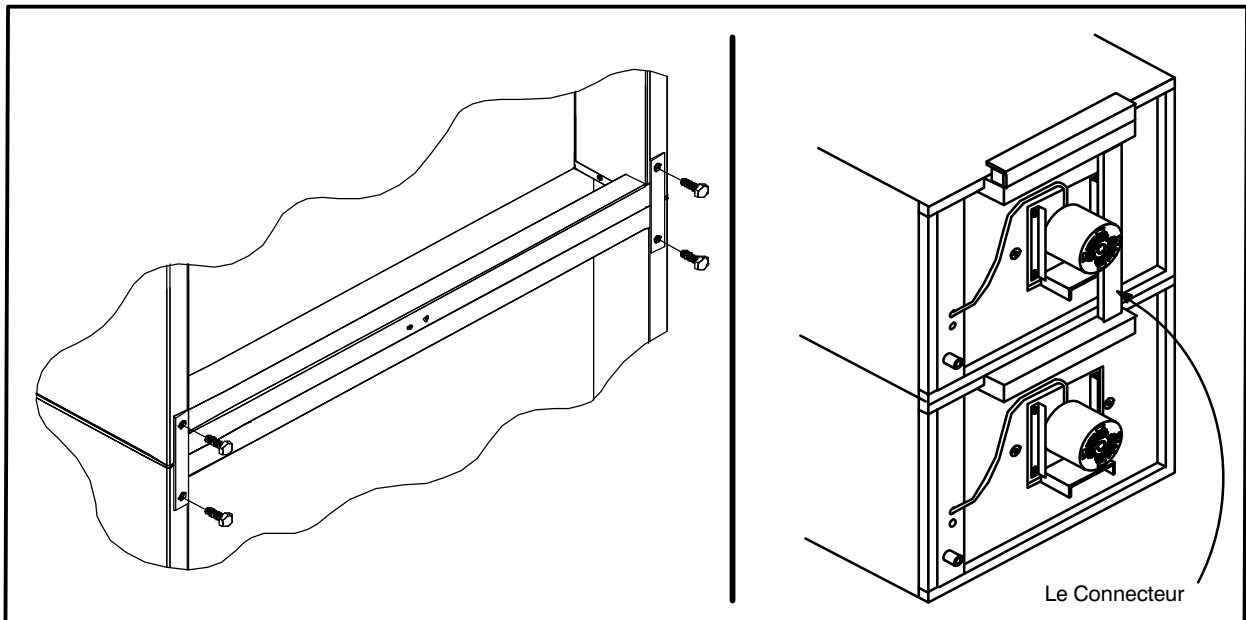


Figure 7



# Utilisation

## Commandes Standard

The diagram shows the control panel of a ZEPHAIRE oven. At the top, there are three switches: 1. A switch labeled 'ON' and 'OFF' for 'LIGHTS'. 2. A switch labeled 'HI', 'OFF', and 'LOW' for 'BLOWER'. 3. A switch labeled 'MAN' and 'AUTO' for 'COOL DOWN'. Below these is a circular indicator labeled 'LIGHT OFF OVEN READY'. The main control is a large circular thermostat with two scales: Fahrenheit (90 to 500) and Celsius (30 to 260). Below the thermostat is a smaller circular timer with a scale from 0 to 60 minutes. At the bottom is a rectangular indicator light. The brand name 'ZEPHAIRE' is printed at the bottom of the panel.

Les informations contenues dans cette section sont destinées au personnel qualifié appelé à utiliser le four. On entend par personnel qualifié le personnel qui aura lu attentivement les informations contenues dans ce manuel, connaît bien les fonctions du four et/ou possède une expérience antérieure de l'emploi de l'équipement décrit. Le respect des procédures recommandées dans cette section permettra d'atteindre les performances optimales du système et d'en obtenir un service durable et sans encombres.

### DESCRIPTION DES COMMANDES

1. LUMIÈRES DE CAVITÉ MARCHE/ARRÊT – actionne les lumières dans la cavité du four.
2. INTERRUPTEUR SOUFFLERIE HAUT/BAS/ARRÊT – contrôle le fonctionnement de la soufflerie. Si l'interrupteur de la soufflerie est en position ARRÊT (OFF), le four est mis à l'arrêt.
3. INTERRUPTEUR REFROIDIR – en position AUTO, le four peut être utilisé pour cuire. Si l'interrupteur est en position MANuelle, le four se refroidit avant la prochaine cuisson.
4. VOYANT D'ÉTAT DU FOUR - indique l'opération de réchauffeur. Le voyant s'éteint lorsque le four atteint la température demandée
5. THERMOSTAT – contrôle la température à laquelle le four fonctionne. La gamme de température va de 93 et 260°C (200–500°F).
6. MINUTERIE DE CUISSON – sert à minuter le temps de cuisson. Actionne un ronfleur quand le temps de cuisson se termine.

Figure 8



### UTILISATION

1. Régler l'interrupteur de REFROIDIR (3) sur AUTO. Tourner le THERMOSTAT (5) sur la température de cuisson désirée.
2. Régler l'INTERRUPTEUR DE SOUFFLERIE (2) sur la position HI (HAUT). Quand le VOYANT FOUR PRÊT (4) s'éteint, charger le produit et régler la MINUTERIE DE CUISSON (6).
3. Quand le ronfleur se déclenche, retirer le produit. Si le produit suivant demande une température de cuisson plus basse, le mode de "refroidir" peut être utilisé. Régler l'INTERRUPTEUR DE SOUFFLERIE (2) sur la position LO (BAS). Passer l'INTERRUPTEUR REFROIDIR (3) sur la position MANUELLE. S'assurer que la porte est ouverte.
4. Arrêter le four en passant l'INTERRUPTEUR MARCHE/ARRÊT DE LA SOUFFLERIE (2) sur la position OFF (ARRÊT).



## Utilisation

### Commandes Numériques à Semi-Conducteurs

The diagram shows the control panel of a ZEPHAIRE oven. At the top, there are three vertical sliders: 'LIGHTS' with 'ON' and 'OFF' positions (callout 1), 'BLOWER' with 'HI' and 'LO' positions (callout 2), and 'COOL DOWN' with 'MAN' and 'AUTO' positions (callout 3). Below these is a large rectangular digital display (callout 4). Under the display are three indicator lights: 'HEAT' (callout 5), 'PULSE' (callout 6), and 'HOLD' (callout 7). In the center is a circular dial (callout 8). Below the dial are several buttons: 'START/STOP' (callout 9), 'TIME' (callout 10), 'TEMP' (callout 11), 'HOLD' (callout 12), and 'PULSE PLUS' (callout 13). At the bottom of the panel is a small icon of a telephone handset and a small square icon with a vertical bar. The brand name 'ZEPHAIRE' is printed at the very bottom.

**DESCRIPTION DES COMMANDES**

1. LUMIÈRES DE CAVITÉ MARCHE/ARRÊT – actionne les lumières dans la cavité du four.
2. INTERRUPTEUR MARCHE/ARRÊT DE SOUFFLERIE – contrôle la mise en marche de la soufflerie. Si l'interrupteur est en position ARRÊT (OFF) le four s'arrête.
3. INTERRUPTEUR REFROIDIR – en position AUTO, le four peut être utilisé pour cuire. Si l'interrupteur est en position MANuelle, le four se refroidit avant la prochaine cuisson.
4. AFFICHAGE - indique la durée et la température, ainsi que d'autres informations relatives au fonctionnement du four.
5. VOYANT "HEAT" - s'allume lorsque les brûleurs sont allumés.
6. VOYANT "PULSE" - s'allume lorsque le mode de ventilateur par impulsions est activé.
7. VOYANT "HOLD" - s'allume lorsque le mode de maintien est actif.
8. CADRAN - permet l'entrée des réglages voulus sur l'affichage.
9. TOUCHE "START/STOP" - démarre ou arrête la minuterie.
10. TOUCHE "TIME" - indique la durée sur l'affichage.
11. TOUCHE "TEMP" - indique le réglage de température sur l'affichage.

*REMARQUE: Pour afficher la température actuelle du four, tenez la touche TEMP enfoncée.*

12. TOUCHE "HOLD" - active ou désactive le mode de maintien.
13. TOUCHE "PULSE" - active ou désactive le mode par impulsions.

Figure 9

## Commandes Numériques à Semi-Conducteurs

### PROGRAMMATION

#### Pour régler la température de cuisson

1. Appuyez sur la touche TEMP (11).
2. Choisissez la température voulue à l'aide du CADRAN (8).

#### Pour régler la durée de cuisson

1. Appuyez sur la touche TIME (10).
2. Choisissez la durée voulue à l'aide du CADRAN (8).

*REMARQUE: Le temps est entré en heures/minutes ou en minutes/secondes.*

#### Pour régler le mode de maintien

1. Appuyez sur la touche HOLD (12).
- REMARQUE: Le voyant HOLD s'allume.*
2. Choisissez la température de maintien à l'aide du CADRAN (8).
  3. Appuyez sur la touche START/STOP (9).

#### Pour régler le mode par impulsions

1. Appuyez sur la touche PULSE (13).
- REMARQUE: Le voyant PULSE s'allume.*
2. Choisissez la durée de pulse à l'aide du CADRAN (8). Le mode d'impulsion est une portion du temps de cuisson.

### UTILISATION

#### Cuisson:

1. Placez l'INTERRUPTEUR MARCHÉ/ARRÊT DE SOUFFLERIE (2) à la position désirée.
2. Entrez la durée de cuisson et la température de cuisson.
3. Chargez l'aliment dans le four.

*REMARQUE: Le message LOAD apparaît sur l'affichage lorsque la température du four approche la température demandée.*

4. Appuyez sur START/STOP (9). La minuterie se met en marche.
5. Le vibreur retentit et le message DONE s'affiche lorsque la minuterie arrive à 00:00.
6. Appuyez sur START/STOP (9) pour arrêter le vibreur.
7. Enlevez l'aliment du four.



## Utilisation

### Commandes Numériques à Semi-Conducteurs

#### Cuisson et Maintien:

*REMARQUE:* Le voyant **HOLD** s'allume lorsque le mode est actif et s'éteint lorsqu'il ne l'est pas.

1. Placez l'INTERRUPTEUR MARCHE/ARRÊT DE SOUFFLERIE (2) à la position désirée.
2. Entrez la durée de cuisson et la température de cuisson.
3. Appuyez sur **HOLD** (12). Entrez la température de maintien.
4. Chargez l'aliment dans le four.

*REMARQUE:* Le message **LOAD** apparaît sur l'affichage lorsque la température du four approche la température demandée.

5. Appuyez sur **START/STOP** (9). La minuterie se met en marche.
6. Le vibreur retentit et le message **DONE** s'affiche lorsque la minuterie arrive à 00:00. Le vibreur s'arrête après quelques secondes. Le message **HOLD** s'affiche jusqu'à ce que le four atteigne la température de maintien demandée, puis la minuterie se met à compter le temps écoulé.
7. Appuyez sur **START/STOP** (9) pour arrêter la minuterie.
8. Enlevez l'aliment du four.
9. Appuyez deux fois sur **HOLD** (12) pour désactiver le mode de maintien.

#### Cuisson par Impulsions

*REMARQUE:* Le voyant **PULSE** s'allume lorsque le mode est actif et s'éteint lorsqu'il ne l'est pas.

1. Placez l'INTERRUPTEUR MARCHE/ARRÊT DE SOUFFLERIE (2) à la position désirée.
2. Entrez la durée de cuisson et la température de cuisson.
3. Appuyez sur **PULSE** (13). Entrez la température d'impulsions.

*REMARQUE:* Le mode d'impulsion est une portion du temps de cuisson. Elle n'augmentera pas la durée de cuisson déjà entrer.

4. Chargez l'aliment dans le four.

*REMARQUE:* Le message **LOAD** apparaît sur l'affichage lorsque la température du four approche la température demandée.

5. Appuyez sur **START/STOP** (9). La minuterie se met en marche. Le four sera au mode d'impulsion pour le temps déjà régler. Une fois le temps régler est expirer, l'unité changera qu mode de cuisson automatiquement et continuera le déconte.
6. Le vibreur retentit et le message **DONE** s'affiche lorsque la minuterie arrive à 00:00.
7. Appuyez sur **START/STOP** (9) pour arrêter le vibreur.
8. Enlevez l'aliment du four.



#### **AVERTISSEMENT!!**

**Une période d'arrêt complet de 5 minutes doit être observée avant le rallumage du four.**



## Consignes Générales à l'Intention des Utilisateurs

### TEMPS ET TEMPÉRATURES DE CUISSON

#### Préchauffage du four

Toujours préchauffer le four avant de cuire ou de rôtir. Nous recommandons un préchauffage de 28°C (50°F) supérieur à la température de cuisson pour compenser la chute de température quand les portes sont ouvertes et qu'un produit froid est chargé dans le four. Régler le thermostat sur la température de cuisson une fois que le produit est chargé.

*REMARQUE: Pour les produits congelés, préchauffer le four de 56°C (100°F) au-dessus de la température de cuisson.*

#### La Température de Cuisson

Généralement, les températures de cuisson doivent être de 28°C (50°F) plus basses que les températures de recettes pour four de cuisinière ou plateforme. Si les bords du produit sont cuits mais que le centre est cru, ou s'il y a des variations de couleur, réduire le réglage du thermostat de 14-28°C (25-50°F) de plus. Continuer à réduire la température de cuisson sur des charges successives jusqu'à ce que des résultats satisfaisants soient obtenus.

*REMARQUE: Une température excessive, ne réduit pas la durée de cuisson, mais produit des résultats insatisfaisants.*

#### La Durée de Cuisson

Vérifiez l'aliment après une durée de cuisson représentant environ la moitié de la durée recommandée pour les fours ordinaires. Notez vos durées et températures optimales pour référence future.

*REMARQUE: La durée de cuisson varie en fonction de la quantité cuite, du type de plat utilisé et de la température sélectionnée.*

### CONSEILS

#### Plats et grilles

La hauteur de l'aliment ou du plat détermine le nombre de grilles utilisables. Le four peut recevoir

un maximum de 10 plaques à petits pains de 18 x 26 po (457 x 660 mm).

Charger le four en commençant par le bas, centrer les plats sur la grille. Ne jamais placer un plat ou une feuille d'aluminium sur le fond du four. Ceci obstrue la circulation d'air et résulte en cuissons ou en rôtissages irréguliers.

#### Rotissage

Pour réduire la contraction des viandes rôties, placez la viande directement sur les grilles et placez un plat en métal à moitié rempli d'eau au niveau de la grille du bas. En s'évaporant, l'eau du plat augmente l'humidité dans la chambre de cuisson. Le plat sert, de plus, à recueillir la graisse de la viande et le nettoyage du four s'en trouve facilité.

#### Cuisson

Peser le produit pour assurer une distribution égale dans chaque plat. Des quantités variables de produits causeront des cuissons inégaux.

#### Ventilateurs

Pour que le four chauffe, le ventilateur doit fonctionner. Utiliser la caractéristique Pulse Plus pour empêcher les produits légers ou liquides de "moutonner" vers le ventilateur. Si le four n'est pas équipé de cette caractéristique, suivre le procédé ci-après.

1. Préchauffer le four 14°C (25°F) au-dessus de la température de cuisson.
2. Charger le four avec le produit. Fermer les portes.
3. Régler le thermostat sur la température de cuisson.
4. Arrêter le four.
5. Laisser le produit reposer pendant 5 à 7 minutes sans ventilateur. La chaleur résiduelle dans le four fige le produit.
6. Allumer le four pour le reste du temps de cuisson.

#### Lumières

Éteindre les lumières du four quand on ne regarde pas le produit. Laisser les lumières allumées pendant de longues périodes raccourci considérablement la durée utile des ampoules.



## Utilisation

### Durées et Températures Suggérées

Aliment	Température	Durée	Étagères
<b>Viandes</b>			
Hamburgers (5 pâtés/lb)	400°F (205°C)	8-10 mins.	10
Gîte (80 lbs, en quartiers)	275°F (135°C)	2 hrs 45 mins.	2
Côte de choix (20 lbs, dégraissé, saignant)	235°F (115°C)	2 hrs 45 mins.	2
Contre-filet (portions de 10 oz)	450°F (235°C)	7-8 mins.	5
Steak suisse après braisage	275°F (135°C)	1 hr.	5
Côtelette de porc farcie	375°F (190°C)	25-30 mins.	5
Rôti de veau désossé (15 lbs)	300°F (150°C)	3 hrs. 10 mins.	2
Côtelettes d'agneau (premières)	400°F (205°C)	7-8 mins.	5
Lard (sur grilles en plats de 18 x 26 po)	400°F (205°C)	5-7 mins.	10
<b>Volailles</b>			
Blanc et cuisse de poulet	350°F (175°C)	40 mins.	5
Dos et aile de poulet	350°F (175°C)	35 mins.	5
Poulet (2 1/2 lbs, en quartiers)	350°F (175°C)	30 mins.	5
Roulé de dinde (roulés de 18 lbs)	310°F (155°C)	3 hrs 45 mins.	3
<b>Poisson et Fruits de Mer</b>			
Steaks de flétan, morue (surgelés, 5 oz)	350°F (175°C)	20 mins.	5
Homard farci (2-1/2 lbs)	400°F (205°C)	10 mins.	3
Queues de homard (surgelées)	425°F (220°C)	9 mins.	5
<b>Fromages</b>			
Macaroni au gratin	350°F (175°C)	30 mins.	5
Croque-Monsieur	400°F (205°C)	8 mins.	10
<b>Pommes de Terre</b>			
Au four (120 ct)	400°F (205°C)	50 mins.	5
Pommes de terre rôties	325°F (165°C)	10 mins.	5
<b>Pains et Pâtisseries</b>			
Tourtes aux baies, surgelées (22 oz)	325°F (150°C)	35 mins.	5 (30 tourtes)
Tourte aux pommes, fraîche (20 oz)	350°F (175°C)	25-30 mins.	5 (30 tourtes)
Tartes au potiron (32 oz.)	300°F (150°C)	30-50 mins.	5 (20 tourtes)
Croquant aux fruits	300°F (150°C)	25 mins.	5
Pain (24 - 1 lb)	325°F (155°C)	30 mins.	3
Pain à la farine de maïs (cornbread)	375°F (190°C)	15-20 mins.	5
Petits pains au lait	400°F (205°C)	6 mins.	5
Petits pains à chauffer	350°F (175°C)	15 mins.	5
Grands gâteaux (5 lbs de pâte par plaque)	325°F (160°C)	16-18 mins.	5
Gâteau au chocolat	325°F (160°C)	20 mins.	5
Brownies	325°F (150°C)	15 mins.	5

*REMARQUE: Les durées et températures de cuisson peuvent varier grandement par rapport à celles indiquées ci-dessus. Le poids de la charge, la température des aliments, la recette, le type de plat et l'étalonnage du thermostat entrent tous en jeu. Notez les durées et températures avérées de vos recettes pour référence future.*



## Nettoyage et Entretien Préventif

### NETTOYAGE DES FOURS



#### AVERTISSEMENT !!

Toujours nettoyer l'appareil lorsqu'il est froid.



#### AVERTISSEMENT !!

S'assurer de lire et de suivre les directives indiquées sur la fiche signalétique ou les consignes de sécurité inscrites sur la bouteille contenant le produit à utiliser pour nettoyer votre four.

#### Nettoyage de l'extérieur du four

1. Saturer un chiffon d'un nettoyant pour acier inoxydable et bien essuyer l'extérieur du four.

*REMARQUE: la coloration de recuit et la lourde décoloration peuvent être éliminées au moyen d'un produit commercial non caustique pour nettoyer les fours.*

2. Essuyer le four au moyen d'un linge propre afin de le sécher.

#### Nettoyage de l'intérieur du four

1. Retirer les grilles, les supports de grilles et le couvercle de la roue du ventilateur (panneau arrière) de l'intérieur du four. Tremper les pièces dans une solution d'ammoniac et d'eau.

*REMARQUE: pour retirer le couvercle de la roue du ventilateur, desserrer les vis situées dans chaque coin du four, puis soulever et sortir le couvercle.*

2. L'intérieur en porcelaine peut être nettoyé au moyen d'un produit nettoyant pour four commercial. S'assurer que les composants à net-

toyer caustiques n'ENTRENT PAS en contact avec la sonde de température, l'élément chauffant et la roue du ventilateur. Laisser reposer le nettoyant de 10 à 20 minutes ou pendant la période de temps recommandée sur le contenant.

3. Enlever le produit nettoyant avec un linge mouillé.
4. Réinstaller les grilles, les supports de grilles et le couvercle de la roue du ventilateur.

#### Nettoyage Hebdomadaire

S'assurer que la bouche d'entrée d'air (le ventilateur de refroidissement) situé derrière le four soit libre de tout inhibiteur de débit d'air tel que la peluche ou la graisse. Garder la bouche d'entrée d'air libre de toute obstruction afin de prolonger la durée de vie des éléments du four.

#### ENTRETIEN PRÉVENTIF

Il doit être assuré par une installation initiale correcte et un programme de nettoyage régulier des fours.

#### Maintenance annuelle

Les fours n'ont pas besoin d'être graissés. Il faut cependant vérifier annuellement le système de ventilation afin d'éviter la détérioration provenant de l'humidité et de la corrosion des produits évacués.

Si des réparations ou de la maintenance est nécessaire, prendre contact avec une entreprise de service Blodgett locale, avec le représentant de l'usine ou avec l'usine.



#### AVERTISSEMENT!!

**Toujours débrancher le four avant toute intervention de nettoyage, d'entretien ou de réparation.**



## Entretien

### Guide de Détection des Pannes

CAUSE(S) PROBABLE(S)	SUGGESTION
SYMPTOME: Les éléments chauffants ne fonctionnent pas	
<ul style="list-style-type: none"><li>• Le four n'est pas branché.</li><li>• L'interrupteur électrique du panneau de contrôle est sur arrêt.</li><li>• Contrôle réglé au-dessous de la température ambiante.</li><li>• Portes ouvertes.</li></ul>	<ul style="list-style-type: none"><li>• Brancher le fil dans la prise.</li><li>• Régler le panneau de contrôle sur COOK (CUISSON) ou OVEN ON (FOUR MARCHE).</li><li>• Régler la température désirée.</li><li>• Fermer les portes.</li></ul>
SYMPTOME: Le four n'atteint pas "Prêt".	
<ul style="list-style-type: none"><li>• Le four n'a pas terminé son cycle de préchauffage.</li><li>• Problème interne avec le contrôle de température principal.</li></ul>	<ul style="list-style-type: none"><li>• Attendre que le four est atteint sa température de préchauffage.</li><li>• *</li></ul>
SYMPTOME: Le ventilateur de convection ne tourne pas.	
<ul style="list-style-type: none"><li>• Le four n'est pas branché.</li><li>• Le disjoncteur est déclenché.</li><li>• Les portes sont ouvertes.</li></ul>	<ul style="list-style-type: none"><li>• Brancher le fil dans la prise.</li><li>• Réenclencher le disjoncteur.</li><li>• Fermer les portes.</li></ul>
SYMPTOME: Problèmes courants de cuisson au four.	
<ul style="list-style-type: none"><li>• Calibrage du thermostat hors service.</li></ul>	<ul style="list-style-type: none"><li>• *</li></ul>

\*Indique un type d'intervention délicate qui devrait être confiée uniquement à un personnel qualifié. Plutôt que d'intervenir personnellement, en tant qu'utilisateur ou acheteur de l'appareil, il est conseillé de confier TOUT réglage et/ou TOUTE réparation à un agent commercial ou représentant local Blodgett. Blodgett ne saura être tenu responsable d'un dommage résultant d'une réparation ou d'un service d'entretien effectué par un personnel non qualifié.



#### AVERTISSEMENT!!

**Toujours débrancher le four avant toute intervention de nettoyage, d'entretien ou de réparation.**

**INSERT  
WIRING DIAGRAM  
HERE**

**PLACER  
SCHÉMA DE CÂBLAGE  
ICI**