

BLODGETT[®]

BLODGETT[®]

BLODGETT[®]

BLODGETT[®]

BLODGETT[®]

BLODGETT[®]

BLODGETT[®]

BLODGETT[®]

BLODGETT[®]

BLODGETT[®]

BLODGETT[®]

BLODGETT[®]

KTG-E

**ELECTRIC TABLE TOP KETTLE WITH MANUAL
GEARBOX TILT MECHANISM
INSTALLATION – OPERATION – MAINTENANCE**



BLODGETT OVEN COMPANY

www.blodgett.com

44 Lakeside Avenue, Burlington, Vermont 05401 USA Telephone: (802) 658-6600 Fax: (802) 864-0183

S00062 Rev A (5/04)

IMPORTANT NOTES FOR INSTALLATION AND OPERATION

It is recommended that this manual be read thoroughly and that all instructions be followed carefully.

This manual should be retained for future reference.



This is the safety alert symbol. It is used to alert you to potential personal injury hazards. Obey all safety messages that follow this symbol to avoid possible injury or death.



WARNING: Improper installation, operation, adjustment, alteration, service or maintenance can cause property damage, injury or death. Read the installation, operating and maintenance instructions thoroughly before installing, operating or servicing this equipment.

Do not attempt to operate this unit in the event of a power failure.

Adequate clearances must be maintained for servicing and proper operation.

Intended for commercial use only. Not for household use.

NOTICE: Contact the factory, the factory representative or local service company to perform maintenance and repairs.

TABLE OF CONTENTS

DESCRIPTION	PAGE
IMPORTANT NOTES FOR INSTALLATION AND OPERATION	2
SERVICE CONNECTIONS	4
1.0 INSTALLATION INSTRUCTIONS	5
2.0 INTRODUCTION	7
3.0 OPERATING INSTRUCTIONS	8
4.0 CLEANING INSTRUCTIONS	10
5.0 MAINTENANCE	11
6.0 TROUBLESHOOTING	12
APPENDIX 'A', MATERIAL SAFETY DATA SHEET	13

SERVICE CONNECTIONS

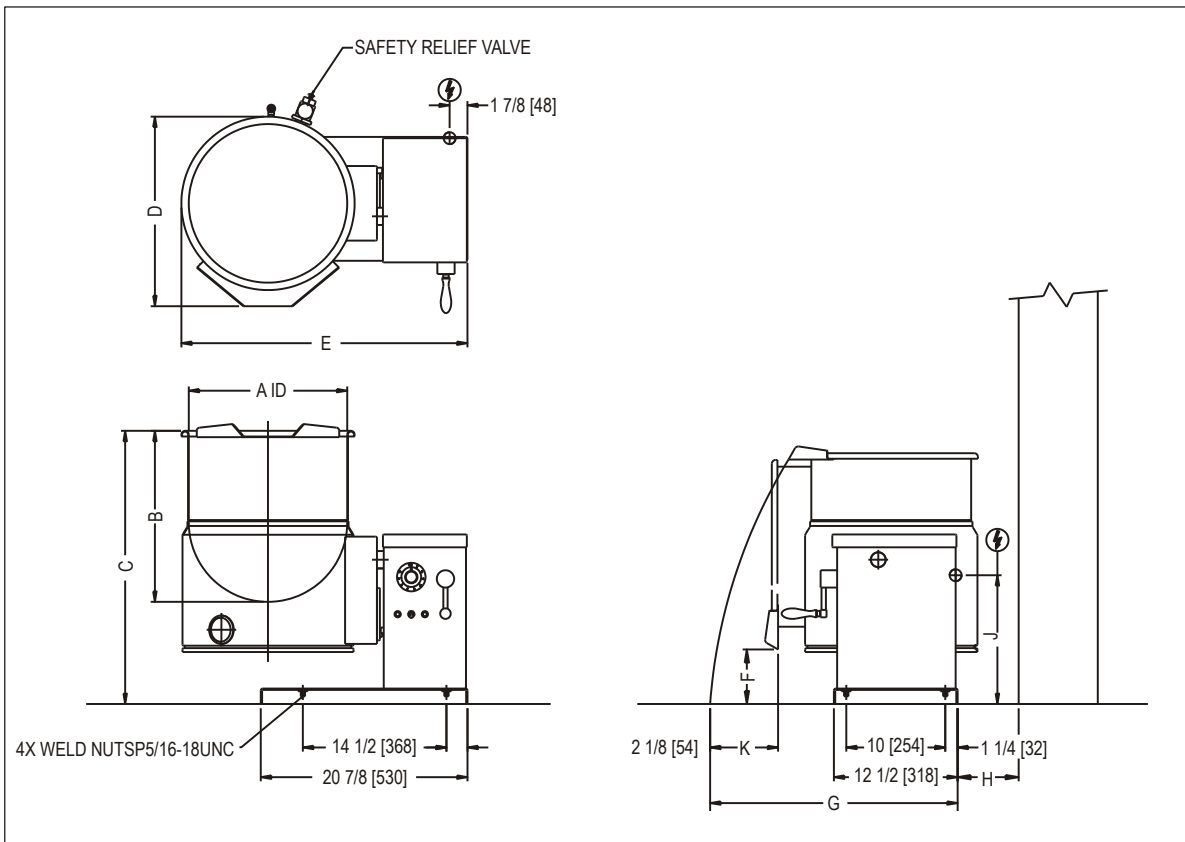
 ELECTRICAL CONNECTION TO BE AS SPECIFIED ON DATA PLATE

ELECTRICAL CHARACTERISTICS

MODEL	KW	PHASE	AMPS PER LINE					
			208V	220V	240V	380V	415V	480V
KTG-6E	7.5	1	36.0	34.1	31.3	N/A	N/A	N/A
		3	20.8	19.7	18.1	11.4	10.4	9.0
KTG-10E	12.0	1	57.6	54.5	50.0	N/A	N/A	N/A
KTG-12E		3	33.3	31.5	28.9	18.3	16.7	14.5

DIMENSIONS

MODEL	CAPACITY	UNITS	A	B	C	D	E	F	G	H	J	K
KTG-6E	6 gallons	inches	12	14 3/8	25	15 1/4	25 1/8	4	28	6 1/8	13	12 3/4
	23 litres	mm	305	365	635	387	638					
KTG-10E	10 gallons	inches	16	15	25 5/16	19 1/8	28 7/8	102	711	156	330	324
	38 litres	mm		381	643							
KTG-12E	12 gallons	inches	406	17 1/4	27 9/16	486	734		30			
	45 litres	mm		438	700							



1.0 INSTALLATION INSTRUCTIONS

Immediately after unpacking, check for possible shipping damage. If the kettle is found to be damaged, save the packaging materials and contact the carrier within 15 days of delivery.

1. The kettle must be installed in accordance with:
2. State and/or local codes.
3. In the USA, the National Electrical Code, ANSI/NFPA-70 (latest edition). In Canada, the Canadian Electrical Code, Part 1, CSA Standard C22.1 (latest edition).
4. Position appliance on counter allowing sufficient rear clearance from wall to tilt freely and completely without obstruction.
5. Mark four corner locations of appliance base.
6. Remove appliance from counter and locate position of 4 holes as per Figure 1. Drill four 7/16" diameter holes.
7. Use 5/16-18 Hex Cap Screws with suitable flat washers to bolt down. Screw length must be 1-1/4 long plus counter top thickness.
8. Apply a continuous bead of Silastic or other equivalent sealant along the complete perimeter edge of the appliance base.
9. Wipe off excess sealant.
10. A Control Box with power supply equivalent to Electrical Rating of appliance should be located conveniently nearby.

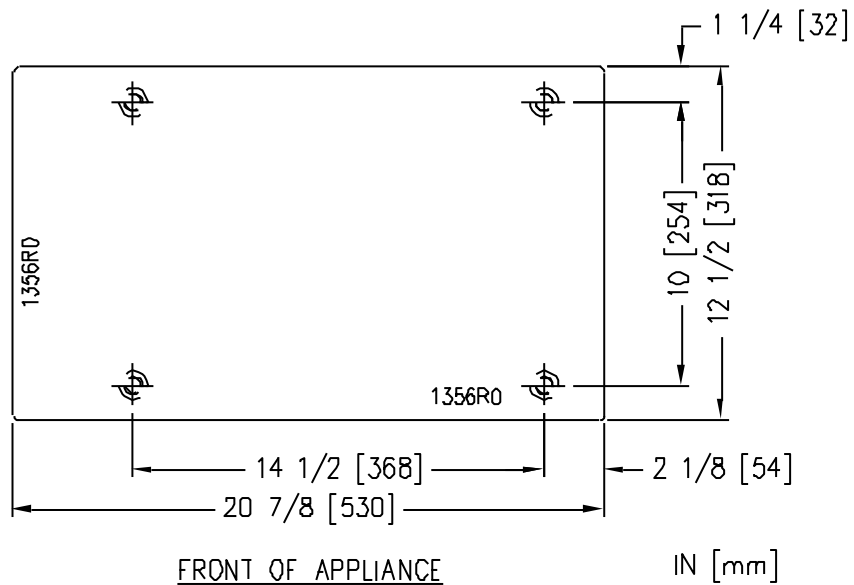
1.0 INSTALLATION INSTRUCTIONS (Continued)



WARNING: Disconnect electrical power supply and place a tag at the disconnect switch to indicate you are on the circuit.

1. A waterproof electrical connection for power supply to console housing must be provided.
2. Ground appliance to terminal provided inside console housing.
3. Turn power ON and check for proper operation.

FIGURE 1



2.0 INTRODUCTION

DESCRIPTION

Models KTG-6E (6 gallon capacity) and KTG-10E (10 gallon capacity) and KTG-12E (12 gallon capacity) electrically powered, self-contained, countertop, tilting kettles. Each model has a jacket of double-wall construction forming a sealed reservoir around the lower two-thirds of the kettle. The reservoir is charged with distilled water and anti-freeze solution. Kettles are equipped with a removable electric heating element and controls, including a low water cutoff device for protection of the heating element. All models are of identical construction, except for kettle size and element heating capacity.

BASIC FUNCTION

Self-contained kettles operate by generating steam in the kettle reservoir. The sequence of operation is as follows:

1. Operator turns the power switch to the ON position and sets the temperature control dial to the desired setting from 1 to 10.
2. Control circuit is normally completed to the temperature controller if the following conditions exist:
 - A. Water level in the kettle reservoir is adequate to prevent circuit interruption by the low water cut off device. An activated cutoff is indicated by the amber low water light turning on, and the heating element shut off.
 - B. Kettle is in vertical position with circuit completed through the tilt interlock switch.
3. Thermostat control contacts close to energize contactor coils.
4. Power is supplied to the elements through closed power contactors.
5. As the temperature of water rises in the kettle reservoir, increase in steam pressure is indicated on the pressure gauge.
6. When the temperature of steam in the reservoir reaches the setting of the temperature control dial, the temperature controller opens to break the contacts and shuts off the heating element. The heating elements will cycle on and off as required to maintain temperature setting.

3.0 OPERATING INSTRUCTIONS



WARNING: The safety relief valve may discharge large amounts of steam and/or hot water. Keep away from the discharge tube at all times. Warn others in the area so they will not be startled by the sound.

1. Ensure that the external electrical shut-off to the kettle is on.
2. Check pressure gauge for correct cold kettle reading. Reading should be in the green vacuum zone. If reading is not in the vacuum zone, follow VENTING INSTRUCTIONS prior to using the kettle.
3. Place power switch in ON position.
4. Preheat the kettle by placing thermostat knob at '10' and wait until TEMPERATURE light goes off.

NOTE: Preheating should not be used when cooking milk and egg food products which adhere to hot cooking surfaces. These foods should be placed into kettle before heating is begun.

5. Add food to be cooked into the kettle.
6. Place thermostat knob at required temperature setting from 1 to 10 coinciding with a temperature range from roughly 90EF to 289EF (32EC to 143EC, jacket temperature.) Approximate cooking temperatures with water at various thermostat settings are as follows:

<u>THERMOSTAT SETTINGS</u>	<u>APPROXIMATE TEMPERATURE (JACKET)</u>	
	<u>FAHRENHEIT</u>	<u>CELSIUS</u>
4	90E	32E
5	125E	52E
6	160E	41E
7	195E	91E
8	231E	110E
9	273E	134E
10	289E	143E

3.0 OPERATING INSTRUCTIONS (Continued)

7. When cooking is finished set thermostat knob and power switch to the OFF position.
8. Pour finished product from kettle using tilt handle. Be careful to avoid splashing.
9. Add water to kettle for cleaning purposes.
10. Wash kettle thoroughly. See CLEANING procedure.

TILTING INSTRUCTIONS

DO NOT ATTEMPT TO TILT WITH LID ON KETTLE.

1. To empty contents, turn handwheel counterclockwise to desired position.
2. To return kettle to cooking position, turn handwheel clockwise until in upright position.

NOTE: When kettle is tilted a safety switch will automatically turn off the power supply. The kettle will not operate once the kettle has been tilted.

4.0 CLEANING INSTRUCTIONS



WARNING: Disconnect the power supply to the appliance before cleaning or servicing.

The kettle interior and exterior should be thoroughly washed after each use in preparation of a different food.

1. Add water and mild detergent to the kettle immediately after use.
2. Scrub kettle interior with nylon brush.
3. Loosen food which is stuck to kettle by allowing it to soak at a low temperature setting.

NOTE: Never scrape the inside of the kettle with metal tools, steel scouring pads, or abrasive cleaners. Scratches will result which will spoil the kettle's general appearance and make it harder to clean and maintain a sanitary condition.

4. Rinse with clear water and dry.



WARNING: Do not hose down appliance under any condition. Failure to comply will void warranty.

5. Wipe down exterior, rinse and dry.



CAUTION: Do not use cleaning agents that are corrosive.

Use of cleaning agents that contain chloride, acids or salts are corrosive and may cause pitting and corrosion when used over a period of time; this will reduce the life of the appliance.

Should pitting or corrosion occur this is not covered by warranty.

Follow the recommended cleaning instructions. Use a mild detergent, warm water and rinse thoroughly.


5.0 MAINTENANCE

Daily

1. Ensure there is adequate vacuum in the kettle jacket before operating.
2. Ensure that the appliance and controls are not damaged and that it can be safely operated.
3. Ensure the work area of the operator is not slippery and is clear of debris so as to provide a safe workplace.
4. Ensure the appliance is clean before each use.
5. Check that the LOW WATER control is operational. Tilting the kettle more than 5 or 10 degrees should cause the LOW WATER signal light to come on.

Every Two Weeks

1. Perform a “try lever test” on the safety relief valve.

	WARNING: The safety relief valve may discharge large amounts of steam and/or hot water. Keep away from the discharge tube at all times. Warn others in the area so they will not be startled by the sound.
--	---

Under normal operating conditions a “try lever test” must be performed every two months. Under severe service conditions, or if corrosion and/or deposits are noticed within the valve body, testing must be performed more often. A “try lever test” must also be performed at the end of any non-service period.

Test at or near maximum operating pressure by holding the test lever fully open for at least 5 seconds to flush the valve seat free of sediment and debris. Then release lever and permit the valve to snap shut.

If lift lever does not activate, or there is no evidence of discharge, discontinue use of equipment immediately and contact a licensed contractor or qualified service personnel.

Every Six Months

1. Lubricate the bronze trunnion bearings.
2. Check the worm gearbox for evidence of oil leaks. It is permanently lubricated with synthetic oil (Shell TIVELA OIL SC320 or equivalent) and should not require maintenance.
3. Check that the tilt mechanism has not become loose or has excessive backlash.

6.0 TROUBLESHOOTING

6.1 LOW WATER LEVEL

Proper water level must be maintained within the jacket for the kettle to operate. Depletion of water may occur from excessive opening of, or leakage through the safety relief valve.

If water is below required operating level, either initially at start-up or during use, the kettle will automatically shut off, and the LOW WATER signal light will come on.

In order for the kettle to operate, the following procedure must be followed:

1. Trip the safety relief valve lever to relieve all pressure from the kettle jacket.
2. At exterior rear of kettle jacket remove nut from Air Vent.
3. Insert funnel into Air Vent opening and slowly add the indicated amount of distilled water for:

KTG-6E	Add 50 oz.	(1.5 litres)
KTG-10E and KTG-12E	Add 100 oz.	(3 litres)

4. Replace Air Vent nut.
5. Follow Air Venting Instructions below.
6. Continue normal Operating Procedure of kettle.

6.2 VENTING INSTRUCTIONS

Check pressure gauge when kettle is cold. Gauge should be in the green vacuum zone. If not, air is present which must be vented (removed) for proper heating. Use the following procedures to vent air.

1. With an empty kettle, place power switch to the ON position.
2. Set temperature control thermostat to '10'. Heat kettle until heat indicator light goes off.
3. Using a 7/16" wrench, open bleed vent one full turn for 10 seconds and then close.
4. Cool kettle. Check for proper vacuum in the green vacuum zone. If reading is not low enough, repeat entire procedure, steps 1 to 3.

APPENDIX 'A'

MATERIAL SAFETY DATA SHEET

PREPARATION INFORMATION:

Prepared for use in Canada by: E H & S Product Regulatory Management Department
DOW CHEMICAL CANADA INC.
P.O. Box 1012
Sarnia, Ontario, N7T 7K7

(800) 331-6451

1. CHEMICAL PRODUCT AND COMPANY IDENTIFICATION

IN CASE OF EMERGENCY: Fort Saskatchewan, Alberta: (780) 998-8282
Sarnia, Ontario: (519) 339-3711
Varenes, Quebec: (450) 652-1000

Product: **DOWFROST* HD HEAT TRANSFER FLUID, DYED**

Product Code: 04632

Effective Date: 2/20/01 Date Printed: 07/10/02 MSD: 002239

DOW CHEMICAL CANADA INC.
P.O. Box 1012
Sarnia, Ontario, N7T 7K7

Prepared for use in Canada by the E H & S Product Regulatory Management Department;
Phone: (800) 331-6451.

1. COMPOSITION/INFORMATION ON INGREDIENTS

Propylene Glycol	CAS# 000057-55-6		94%
Dipotassium Phosphate	CAS# 007758-11-4	<5%	
Deionized Water	CAS# 007732-18-5		<5%

** or (R) indicates a trademark of The Dow Chemical Company.*

MATERIAL SAFETY DATA SHEET

Product: **DOWFROST* HD HEAT TRANSFER FLUID, DYED**

Product Code: 04632

2. HAZARDS IDENTIFICATION

EMERGENCY OVERVIEW

Clear yellow liquid. Odourless. Avoid temperatures above 450EF, 232EC.
--

POTENTIAL HEALTH EFFECTS (See Section 11 for toxicological data.)

EYE: May cause slight transient (temporary) eye irritation. Corneal injury is unlikely. Mists may cause eye irritation.

SKIN CONTACT: Prolonged contact is essentially nonirritating to skin. A single prolonged exposure is not likely to result in the material being absorbed through skin in harmful amounts. Repeated exposures may cause flaking and softening of skin.

INGESTION: Single dose oral toxicity is considered to be extremely low. No hazards anticipated from swallowing small amounts incidental to normal handling operations.

INHALATION: At room temperature, vapours are minimal due to physical properties. Mists may cause irritation of upper respiratory tract (nose and throat).

SYSTEMIC (OTHER TARGET ORGAN) EFFECTS: Repeated excessive exposure to propylene glycol may cause central nervous system effects.

CANCER INFORMATION: Did not cause cancer in laboratory animals.

TERATOLOGY (BIRTH DEFECTS): Birth defects are unlikely. Exposures having no adverse effects on the mother should have no effect on the fetus.

REPRODUCTIVE EFFECTS: In animal studies, has been shown not to interfere with reproduction.

** or (R) indicates a trademark of The Dow Chemical Company.*

MATERIAL SAFETY DATA SHEET

Product: DOWFROST* HD HEAT TRANSFER FLUID, DYED

Product Code: 04632

Effective Date: 02/20/01, Date Printed: 07/10/02, MSD: 002239

4. FIRST AID

EYES: Flush eyes with plenty of water.

SKIN: Wash off in flowing water or shower.

INGESTION: No adverse effects anticipated by this route of exposure incidental to proper industrial handling.

INHALATION: Remove to fresh air if effects occur. Consult a physician.

NOTE TO PHYSICIAN: No specific antidote. Supportive care. Treatment based on judgment of the physician in response to reactions of the patient.

5. FIRE FIGHTING MEASURES

FLAMMABLE PROPERTIES

FLASH POINT: 214EF, 107EC (based on a similar material)

METHOD USED: PMCC

AUTOIGNITION TEMPERATURE: NOT DETERMINED

FLAMMABILITY LIMITS

LFL: Not determined

UFL: Not determined

** or (R) indicates a trademark of The Dow Chemical Company.*

MATERIAL SAFETY DATA SHEET

Product: DOWFROST* HD HEAT TRANSFER FLUID, DYED

Product Code: 04632

Effective Date: 02/20/01, Date Printed: 07/10/02, MSD: 002239

HAZARDOUS COMBUSTION PRODUCTS: During a fire, smoke may contain the original material in addition to unidentified toxic and/or irritating compounds. Hazardous combustion products may include and are not limited to carbon monoxide and carbon dioxide.

OTHER FLAMMABILITY INFORMATION: Violent steam generation or eruption may occur upon application of direct water stream to hot liquids. Flammable concentrations of vapour can accumulate at temperatures above 214°F. Liquid mist of this product can burn. Spills of these organic liquids on hot fibrous insulations may lead to lowering of the autoignition temperatures possibly resulting in spontaneous combustion. Container may rupture from gas generation in a fire situation.

EXTINGUISHING MEDIA: Water fog or fine spray, carbon dioxide, dry chemical, foam. Alcohol resistant foams (ATC type) are preferred if available. General purpose synthetic foams (including AFFF) or protein foams may function, but much less effectively. Do not use direct water stream. May spread fire.

MEDIA TO BE AVOIDED: Do not use direct water stream.

FIRE FIGHTING INSTRUCTIONS: Keep people away. Isolate fire area and deny unnecessary entry. Burning liquids may be moved by flushing with water to protect personnel and minimize property damage. Burning liquids may be extinguished by dilution with water. Do not use direct water stream. May spread fire. Fight fire from protected location or safe distance. Consider use of unmanned hose holder or monitor nozzles. Use water spray to cool fire exposed containers and fire affected zone until fire is out and danger of re-ignition has passed. Immediately withdraw all personnel from area in case of rising sound from venting safety device or discolouration of the container. Move container from fire area if this is possible without hazard.

PROTECTIVE EQUIPMENT FOR FIRE FIGHTERS: Wear positive-pressure self-contained breathing apparatus (SCBA) and protective fire fighting clothing (includes fire fighting helmet, coat, pants, boots and gloves). If protective equipment is not available or not used, fight fire from a protected location or safe distance.

** or (R) indicates a trademark of The Dow Chemical Company.*

MATERIAL SAFETY DATA SHEET

Product: DOWFROST* HD HEAT TRANSFER FLUID, DYED

Product Code: 04632

Effective Date: 02/20/01, Date Printed: 07/10/02, MSD: 002239

6. ACCIDENTAL RELEASE MEASURES (See Section 15 for Regulatory Information)

PROTECT PEOPLE: Use appropriate safety equipment. For additional information, refer to Section 8, Exposure Controls/ Personal Protection.

PROTECT THE ENVIRONMENT: Avoid contamination of all waterways.

CLEAN-UP: See Section 13, Disposal Consideration.

1. HANDLING AND STORAGE

SPECIAL PRECAUTIONS TO BE TAKEN IN HANDLING AND STORAGE: No special handling requirements data available.

HANDLING: See Section 8, Exposure Controls/Personal Protection.

STORAGE: See Section 10, Stability and Reactivity.

2. EXPOSURE CONTROLS/PERSONAL PROTECTION

ENGINEERING CONTROLS: Provide general and/or local exhaust ventilation to control airborne levels below the exposure guidelines.

PERSONAL PROTECTIVE EQUIPMENT

EYE/FACE PROTECTION: Use safety glasses. Safety glasses should be sufficient for most operations; however, for misty operations wear chemical goggles.

SKIN PROTECTION: Use gloves impervious to this material.

RESPIRATORY PROTECTION: Atmospheric levels should be maintained below the exposure guideline. When respiratory protection is required for certain operations, use an approved air-purifying respirator. In misty atmospheres, use an approved mist respirator.

** or (R) indicates a trademark of The Dow Chemical Company.*

MATERIAL SAFETY DATA SHEET

Product: DOWFROST* HD HEAT TRANSFER FLUID, DYED

Product Code: 04632

Effective Date: 02/20/01, Date Printed: 07/10/02, MSD: 002239

EXPOSURE GUIDELINES: Propylene glycol: AIHA WEEL is 50 ppm total, 10 mg/m³ aerosol only.

9. PHYSICAL AND CHEMICAL PROPERTIES

APPEARANCE/PHYSICAL STATE:	Clear yellow liquid.
ODOUR:	Odourless
VAPOUR PRESSURE:	0.22 mmHg @ 20EC
VAPOUR DENSITY:	2.6
BOILING POINT:	320EF, 160EC
SOLUBILITY IN WATER/MISCIBILITY:	Complete
SPECIFIC GRAVITY OR DENSITY:	1.058 @ 25/25EC

10. STABILITY AND REACTIVITY

CHEMICAL STABILITY: Thermally stable at typical use temperatures.

CONDITIONS TO AVOID: Avoid use temperatures above 450EF, 232EC. Product can degrade at elevated temperatures. Generation of gas during decomposition can cause pressure in closed systems.

INCOMPATIBILITY WITH OTHER MATERIALS: Avoid contact with oxidizing materials. Avoid contact with strong acids

HAZARDOUS DECOMPOSITION PRODUCTS: Hazardous decomposition products depend upon temperature, air supply and the presence of other materials.

HAZARDOUS POLYMERIZATION: Will not occur.

11. TOXICOLOGICAL INFORMATION (See Section 3 for Potential Health Effects. For detailed toxicological data, write or call the address or non-emergency number shown in Section 1).

SKIN: The LD₅₀ for skin absorption in rabbits is >10,000 mg/kg.

** or (R) indicates a trademark of The Dow Chemical Company.*

MATERIAL SAFETY DATA SHEET

Product: DOWFROST* HD HEAT TRANSFER FLUID, DYED

Product Code: 04632

Effective Date: 02/20/01, Date Printed: 07/10/02, MSD: 002239

SKIN: The LD50 for skin absorption in rabbits is >10,000 mg/kg.
INGESTION: The oral LD50 for rats is 20,000 - 34,000 mg/kg.
MUTAGENICITY: In vitro mutagenicity studies were negative. Animal mutagenicity studies were negative.

12. ECOLOGICAL INFORMATION (For detailed Ecological data, write or call the address or non-emergency number shown in Section 1.)

ENVIRONMENTAL FATE

MOVEMENT & PARTITIONING: Based largely or completely on data for major component(s). Bioconcentration potential is low (BCF less than 100 or Log Pow less than 3). Potential for mobility in soil is very high (Koc between 0 and 50).

DEGRADATION AND PERSISTENCE: Based largely or completely on data for major component(s). Material is readily biodegradable. Passes OECD test(s) for ready biodegradability. Degradation is expected in the atmospheric environment within minutes to hours.

ECOTOXICITY: Based largely or completely on data for major component(s). Material is practically non-toxic to aquatic organisms on an acute basis (LC50/EC50 >100 mg/L in most sensitive species).

13. DISPOSAL CONSIDERATIONS (See Section 15 for Regulatory Information)

DISPOSAL: DO NOT DUMP INTO ANY SEWERS, ON THE GROUND OR INTO ANY BODY OF WATER. All disposal methods must be in compliance with all Federal, State/Provincial and local laws and regulations. Regulations may vary in different locations. Waste characterizations and compliance with applicable laws are the responsibility solely of the waste generator. THE DOW CHEMICAL COMPANY HAS NO CONTROL OVER THE MANAGEMENT PRACTICES OR MANUFACTURING PROCESSES OF PARTIES HANDLING OR USING THIS MATERIAL. THE INFORMATION PRESENTED HERE PERTAINS ONLY TO THE PRODUCT AS SHIPPED IN ITS INTENDED CONDITION AS DESCRIBED IN MSDS SECTION 2 (Composition/Information On Ingredients).

** or (R) indicates a trademark of The Dow Chemical Company.*

MATERIAL SAFETY DATA SHEET

Product: DOWFROST* HD HEAT TRANSFER FLUID, DYED

Product Code: 04632

Effective Date: 02/20/01, Date Printed: 07/10/02, MSD: 002239

FOR UNUSED & UNCONTAMINATED PRODUCT, the preferred options include sending to a licensed, permitted: recycler, reclaimer, incinerator or other thermal destruction device.

As a service to its customers, Dow can provide names of information resources to help identify waste management companies and other facilities which recycle, reprocess or manage chemicals or plastics, and that manage used drums. Telephone Dow's Customer Information Center at 800-258-2436 or 989-832-1556 for further details.

1. TRANSPORT INFORMATION

DEPARTMENT OF TRANSPORTATION (D.O.T.): For D.O.T. regulatory information, if required, consult transportation regulations, product shipping papers, or contact your Dow representative.

CANADIAN TDG INFORMATION: For TDG regulatory information, if required, consult transportation regulations, product shipping papers, or your Dow representative.

2. REGULATORY INFORMATION (Not meant to be all-inclusive – selected regulations represented).

NOTICE: The information herein is presented in good faith and believed to be accurate as of the effective date shown above. However, no warranty, express or implied is given. Regulatory requirements are subject to change and may differ from one location to another; it is the buyer's responsibility to ensure that its activities comply with federal, state or provincial, and local laws. The following specific information is made for the purpose of complying with numerous federal, state or provincial, and local laws and regulations. See other sections for health and safety information.

** or (R) indicates a trademark of The Dow Chemical Company.*

MATERIAL SAFETY DATA SHEET

Product: DOWFROST* HD HEAT TRANSFER FLUID, DYED

Product Code: 04632

Effective Date: 02/20/01, Date Printed: 07/10/02, MSD: 002239

U.S. REGULATIONS

SARA 313 INFORMATION: To the best of our knowledge, this product contains no chemical subject to SARA Title III Section 313 supplier notification requirements.

SARA HAZARD CATEGORY: This product has been reviewed according to the EPA "Hazard Categories" promulgated under Sections 311 and 312 of the Superfund Amendment and Reauthorization Act of 1986 (SARA Title III) and is considered, under applicable definitions, to meet the following categories:

Not to have met any hazard category.

TOXIC SUBSTANCES CONTROL ACT (TSCA):

All ingredients are on the TSCA inventory or are not required to be listed on the TSCA inventory.

STATE RIGHT-TO-KNOW: The following product components are cited on certain state lists as mentioned. Non-listed components may be shown in the composition section of the MSDS.

<u>CHEMICAL NAME</u>	<u>CAS NUMBER</u>	<u>LIST</u>
1, 2-Propanediol	000057-55-6	PA1

PA1= Pennsylvania Hazardous Substance (present at greater than or equal to 1.0%).

OSHA HAZARD COMMUNICATION STANDARD:

This product is not a "Hazardous Chemical" as defined by the OSHA Hazard Communication Standard, 29 CFR 1910.1200.

** or (R) indicates a trademark of The Dow Chemical Company.*

MATERIAL SAFETY DATA SHEET

Product: DOWFROST* HD HEAT TRANSFER FLUID, DYED

Product Code: 04632

Effective Date: 02/20/01, Date Printed: 07/10/02, MSD: 002239

CANADIAN REGULATIONS

WHMIS INFORMATION: The Canadian Workplace Hazardous Materials Information System (WHMIS) Classification for this product is:

This product is not a "Controlled Product" under WHMIS.

CANADIAN ENVIRONMENTAL PROTECTION ACT (CEPA)

This product contains one or more substances which are not listed on the Canadian Domestic Substances List (DSL). Contact your Dow representative for more information.

16. OTHER INFORMATION

MSDS STATUS: Revised to 16 section format.

** or (R) indicates a trademark of The Dow Chemical Company.*

The information herein is given in good faith, but no warranty, express or implied, is made. Consult The Dow Chemical Company for further information.