



# *B14G Boilerless Steamer*

*SERIAL NUMBERS WITH JM/JO  
REPLACEMENT PARTS LIST*



**EFFECTIVE JULY 12, 2011**

BLODGETT OVEN COMPANY, 44 Lakeside Avenue, Burlington, Vermont 05401 USA

Telephone: (802) 658-6600 Fax: (802) 860-3732

[www.blodgett.com](http://www.blodgett.com)

P/N 53531

Superseding All Previous Parts List.

The Company reserves the right to make substitution in the event that items specified are not available.

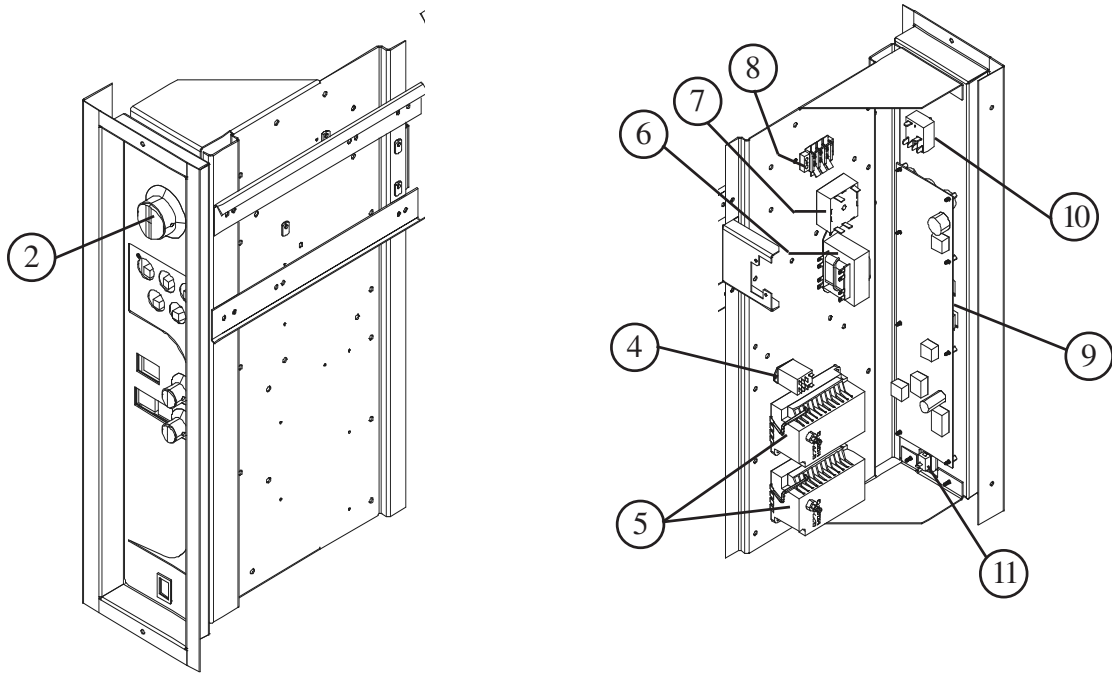
ERRORS: Descriptive and or typographical errors are subject to correction.

# TABLE OF CONTENTS

<b>CONTROL PANEL-FOR UNITS BUILT BEFORE 10/7/2003.....</b>	<b>3</b>
<b>CONTROL PANEL -FOR UNITS BUILT AFTER 10/7/2003.....</b>	<b>4</b>
<b>DOOR COMPONENTS .....</b>	<b>5</b>
<b>HOT AIR GAS COMPONENTS .....</b>	<b>6</b>
<b>TRANSFORMERS .....</b>	<b>7</b>
<b>INTERIOR OVEN COMPONENTS .....</b>	<b>8</b>
<b>EXTERIOR OVEN COMPONENTS .....</b>	<b>9</b>
<b>PLUMBING COMPONENTS .....</b>	<b>10</b>
<b>ACCESSORIES .....</b>	<b>11</b>

# CONTROL PANEL COMPONENTS

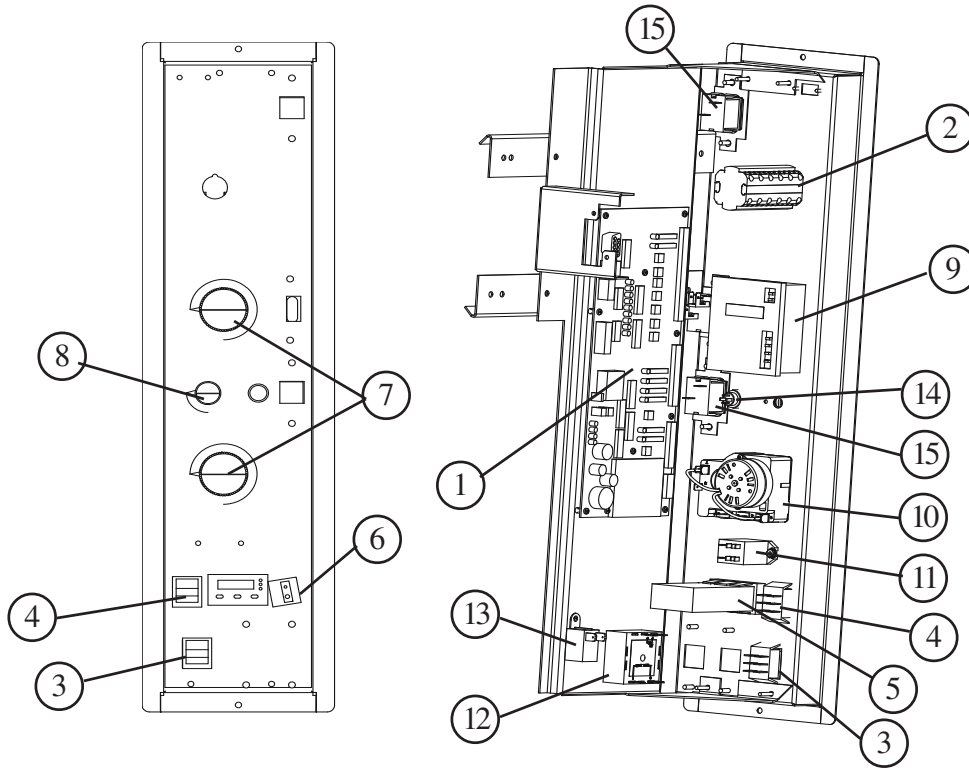
## For units built BEFORE 10/7/2003



<u>Ref</u>	<u>Description</u>	<u>Part No.</u>
2	Knob, Mode Switch	R8742
4	Relay, 24VAC SPDT	R3984
5	Ignition Control	20348
6	Transformer, 115/230-24V	36700
7	Control, Phase	R10700
8	Terminal Block, 3 Pos	36604
9	Control, Temperature	R10524
10	Switch, Mode	21068
11	Switch, Gas On/Off	36376

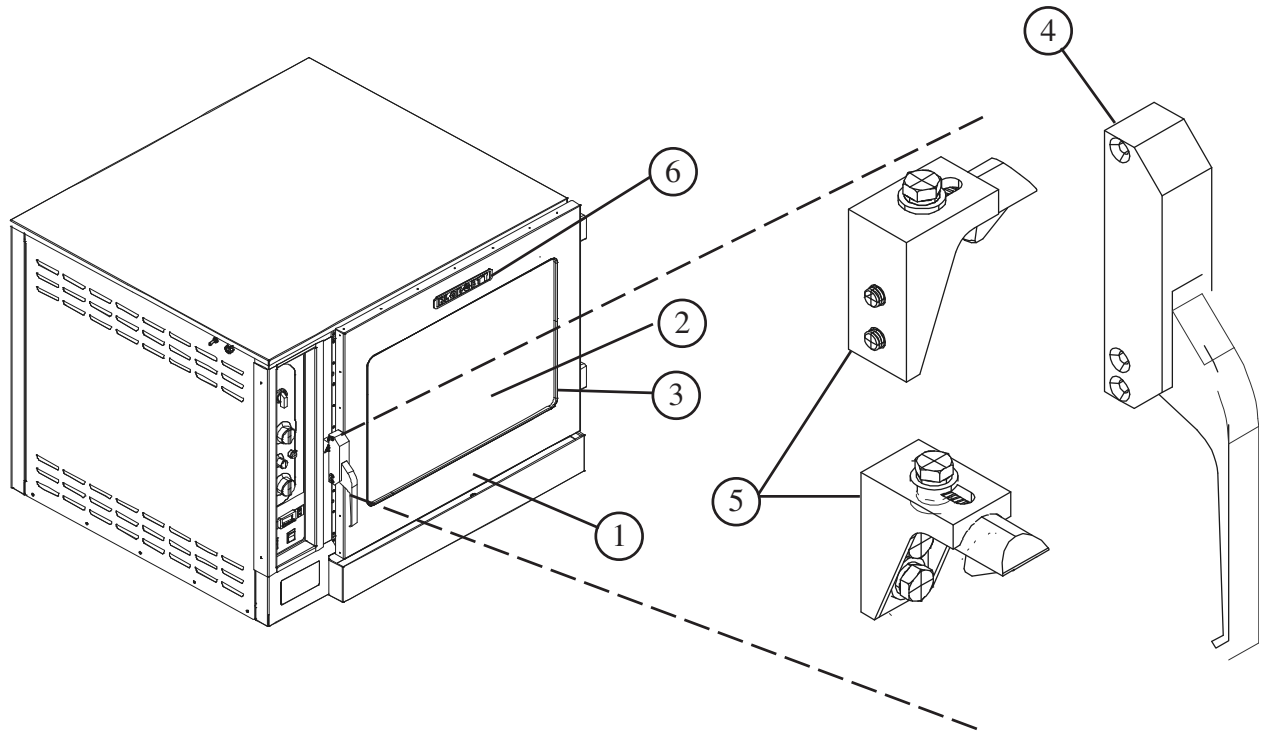
# CONTROL PANEL COMPONENTS

## For units built AFTER 10/7/2003



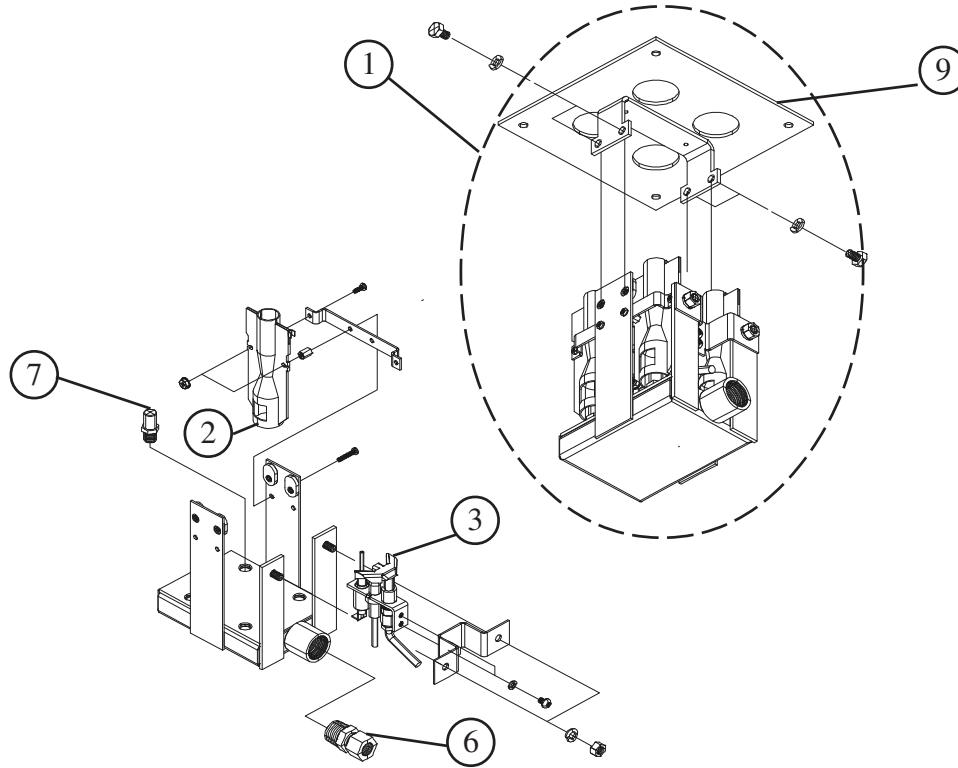
<u>Ref</u>	<u>Description</u>	<u>Part</u>	<u>Ref</u>	<u>Description</u>	<u>Part No</u>
1	Logic Board	R10968	14	Light, Indicator Green	R1318
2	Mode Switch	R4623	15	Light, Indicator Clear	R0226
	Knob and Shaft assy	R8515		Switch, Push Button	R8595
3	Switch, Hi/Low	R8594			
4	Switch, Meat Probe	R10515			
5	Control, Meat Probe	R5242			
	Harness, Meat Probe	R10378			
6	Connector, Jack Panel	R5219			
7	Knob, Large	R8742			
8	Knob, Small	R8743			
9	Controller, temp	R6407			
	Probe, temperature	R10965			
10	Timer, 120 Min	R2666			
11	Relay, SPST 240V	R2792			
12	Control, Speed	R9309			
13	Buzzer Assy, 240V	R9498			
	Potentiometer Assy	R10338			

# DOOR COMPONENTS



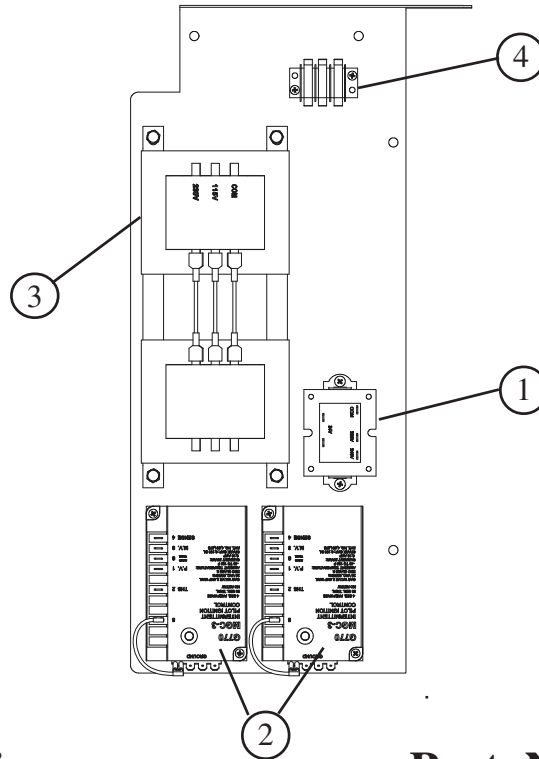
<u>Ref</u>	<u>Description</u>	<u>Part No.</u>
1	Door Assy	R8628
	Gasket, Door Perimeter	R3695
	Retainer Strip, Gasket, Horizontal	R3774
	Retainer Strip, Gasket, Vertical	R3775
2	Glass Window, Door	R5797
3	Gasket, Door Window,(per foot- 17 total ft)	R2105
4	Handle, Door	R6313
	Screws, Door Handle, set of 3	R11043
5	Catch and Latch Assy	R2296
	Switch, Door	31485
	Bracket Assy, Door Switch	R8944
	Hinge Assy, Top and Bottom	R8482
	Drip Pan	R10327
	Trough, Door Drip Pan	R9573
	Tube, Drip Pan Drain	R8872
6	Nameplate, 7-3/4" BLODGETT	90086

# HOT AIR GAS COMPONENTS



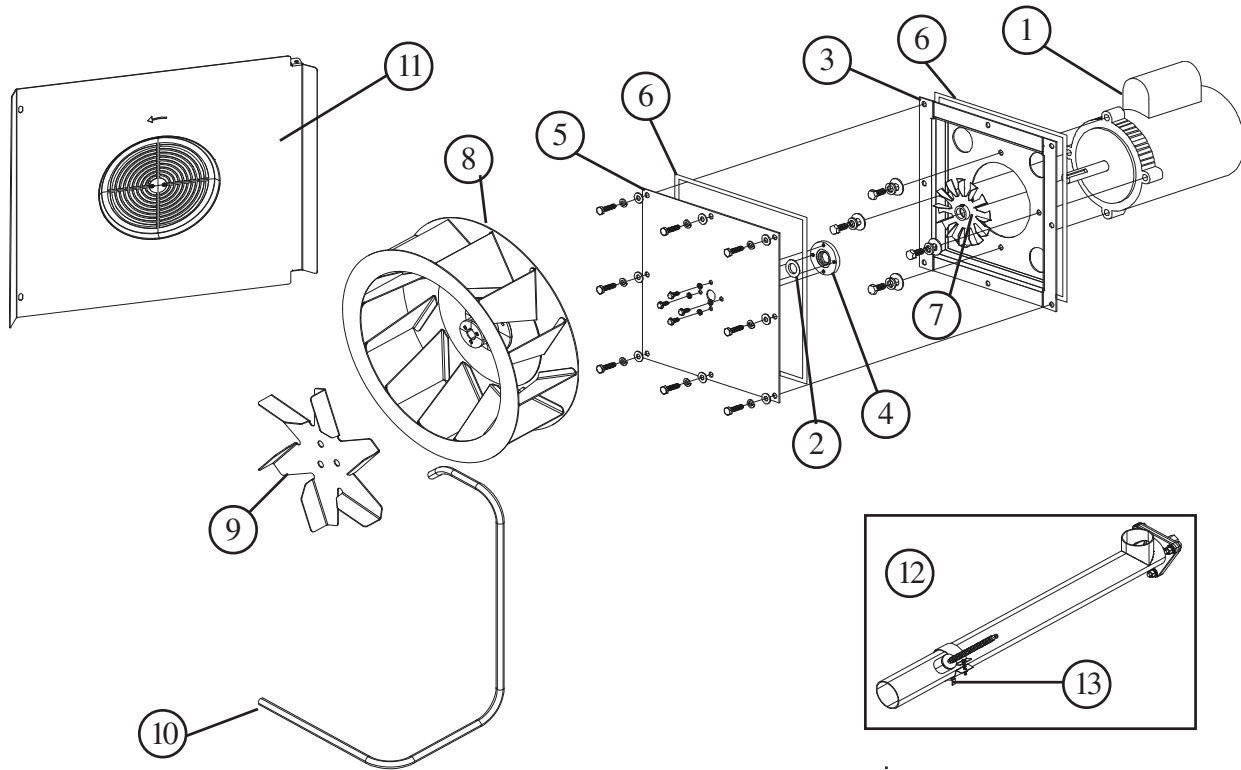
<u>Ref</u>	<u>Description</u>	<u>Part No.</u>
1	Burner Assy, Hot Air, Nat	R9241
1	Burner Assy, Hot Air, LP	R9242
2	Burner, Inshot	R4287
3	Pilot Assy, Hot Air, Nat	R9214
3	Pilot Assy, Hot Air, LP	R9258
7	Orifice, 1.35 MM Drill Nat (qty 4)	R8973
7	Orifice, #67 Drill LP (qty 4)	R8974
	Control, Ignition G770-MGC3	20348
	Valve, Gas 24 V Nat	30005
	Valve, Gas 24 V LP	30006
	Valve, Gas Pilot Nat/LP	R6490
6	Fitting, 1/2 NPT X .5 Compression	18570
9	Mounting Assy, Burner	R8971

# TRANSFORMERS



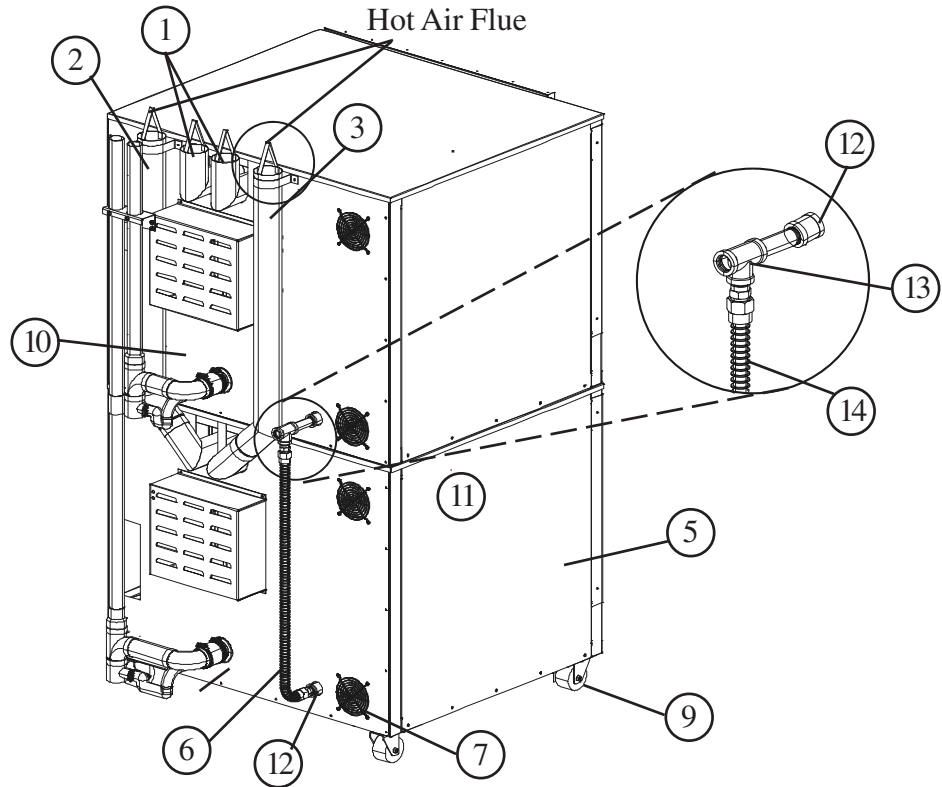
<u>Ref</u>	<u>Description</u>	<u>Part No.</u>
1	Transformer 208/24 40VA	52948
2	Control, Ignition G770 MGC	20348
3	Autotransformer, 1KVA 240-115	R9213
4	Terminal Block, 3 Pos	36604
	Harness, Main	R10927

# INTERIOR OVEN COMPONENTS



<u>Ref</u>	<u>Description</u>	<u>Part No</u>	<u>Ref</u>	<u>Description</u>	<u>Part No</u>
1	Motor, 1/2 HP 115V	R5108		Heat Exchanger, LH	R10976
2	Seal, Motor Shaft	R4244		Heat Exchanger, RH	R10977
3	Brackey, Motor Mount	R8154		Axial Fan	23034
4	Retainer Seal	R8955		Guard, Axial Fan	22718
5	Plate, Insulation Cover	R8205		Racks, Wire	R3664
6	Sealant, 1/4x3/16 Gortex	R8423		Guides, Rack	R4409
7	Fan, Slinger	R10678			
8	Wheel, Blower	R10672			
9	Wheel, Water Slinger	R10674			
10	Tube, Water Injection	R10758			
11	Air Baffle	R11040			
13	Thermostat, P4	R8015			

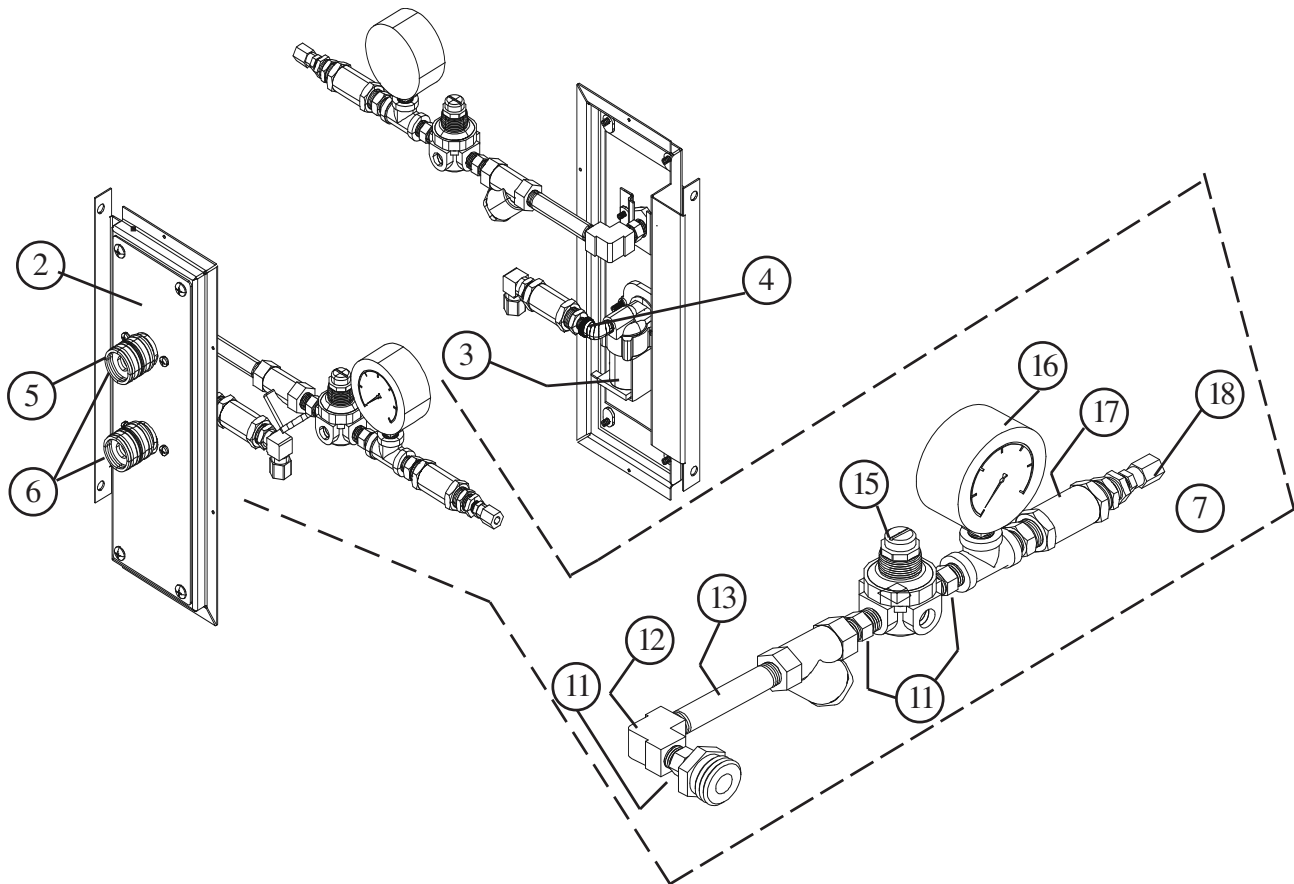
# EXTERIOR COMPONENTS



<u>Ref</u>	<u>Description</u>	<u>Part No.</u>	<u>Ref</u>	<u>Description</u>	<u>Part No.</u>
1	Flue Assy, Exhaust, single	R8989	10	Body Back, ALCT	R10661
1	Flue Assy, Exhaust, double	R8990	10	Body Back, S/S	R10662
	Flue Kit, Assy, Stacking	R10676	12	Coupling, 3/4 NPT	R8768
2	Flue, LH	R9238	13	3/4 black malleable tee	17875
3	Flue, RH	R9237	14	36" Flex Tubing	R9569
5	Bodyside, LH	R10660		Flue Kit, stacking	R10676
6	Gas Manifold, for stacking	R10673		Stacking Kit- Combi on a	
7	Guard, Axial Fan	22718		Blodgett	R10497
	Axial Fan, 230V	23034		Vent/Drain kit, bottom	R10892
9	Casters, low profile, set of 4	R6308			

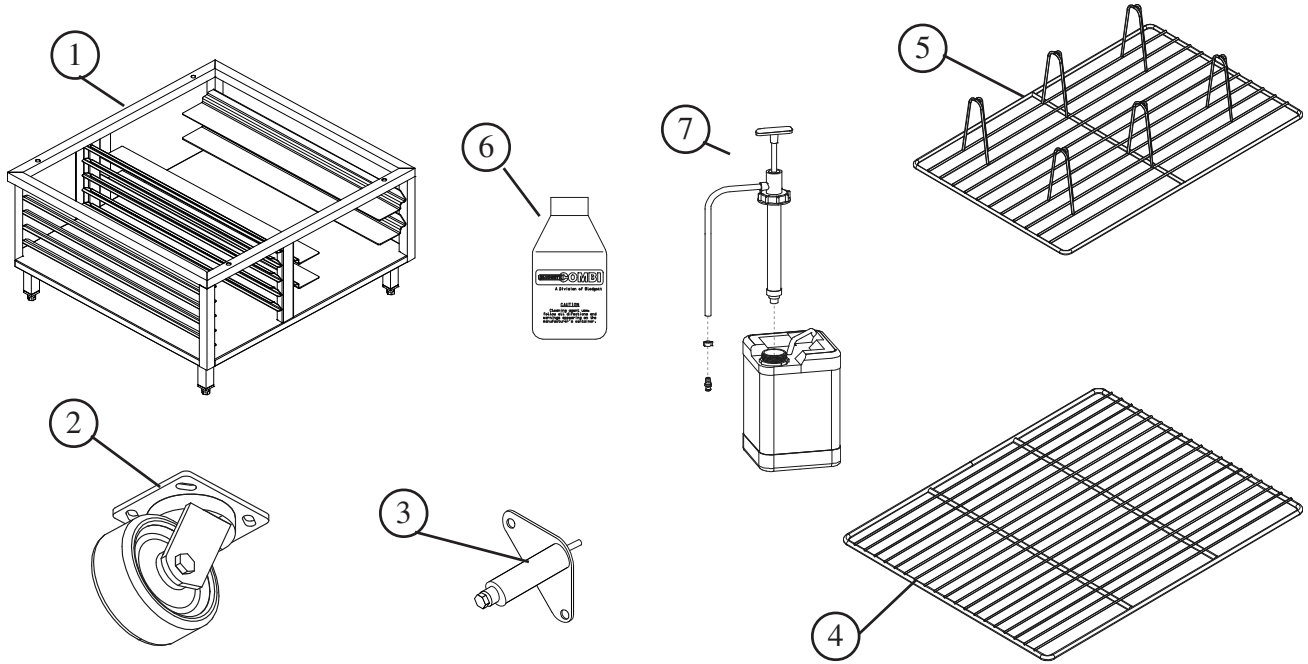
*NOTE: KIT includes: Drain Assy, vent pipe, vent extension, support bracket, clamps, flex hose, hardware and lit sheet.*

# PLUMBING COMPONENTS



<u>Ref</u>	<u>Description</u>	<u>Part No.</u>
3	Kit, Solenoid, 208-240	R10969
	Solenoid Assy, 24VAC	R10636
4	Elbow, 90 1/8 NPT	R10316
5	Coupling, 3/4" GHT- Female	R7813
6	Washer, Garden Hose	R7750
7	Main Water Inlet Assy, complete	R10773
11	Nipple, Brass 1/4 NPT x 1.38	18312
12	Elbow, Brass 1/4 NPT	18309
13	Nipple, Brass 1/4 NPTR x 3.50	R10630
15	Regulator, Pressure	36910
16	Guage, Pressure	R5956
17	Flow Regulator	R10586
18	Fitting	M0959

# ACCESSORIES



<u>Ref</u>	<u>Description</u>	<u>Part No.</u>
1	Stand, 22"	R5453
	Casters, for Stand	R5454
	Legs, 25"	R2899
3	Legs, 6"	8600
	Legs, 4"	R3109
	Legs, bolt down/seismic for stands	R5456
	Casters, for 25" legs	16002
2	Casters, mounts to bottom of unit	R3112
6	Pressure Spray Bottle	R10955
4	Rack, Wire	R3664
	Rack guides	R4409
	Rack, French Fry	D0246
	Hose and Spray Assy, 10Ft	R10899
7	Delimiting Bottle Assy (w/ garden hose conn.)	R8859
7	Delimiting Bottle Assy (w/ male hose barbed fitting)	R10559
	Water Filter Assy	R10995
	Replacement Carbon Cartridges	R11028
	Replacement Scale Stick Cartridges	R11027