



**COS-20E
COMBI OVEN
REPLACEMENT PARTS LIST**

EFFECTIVE JANUARY 30, 2012

Superseding All Previous Parts Lists.

The Company reserves the right to make substitution in the event that items specified are not available.

ERRORS: Descriptive and/or typographic errors are subject to correction.

BLODGETT OVEN COMPANY

44 Lakeside Avenue, Burlington, Vermont 05401 USA Telephone: (802) 658-6600 Fax: (802) 860-3732
www.blodgett.com

P/N 55191 Rev A

SERIAL NUMBERS CONTAINING:

HB ID

EXAMPLE:

021896HB023S

TO OBTAIN LITERATURE:

Email: literature@blodgett.com

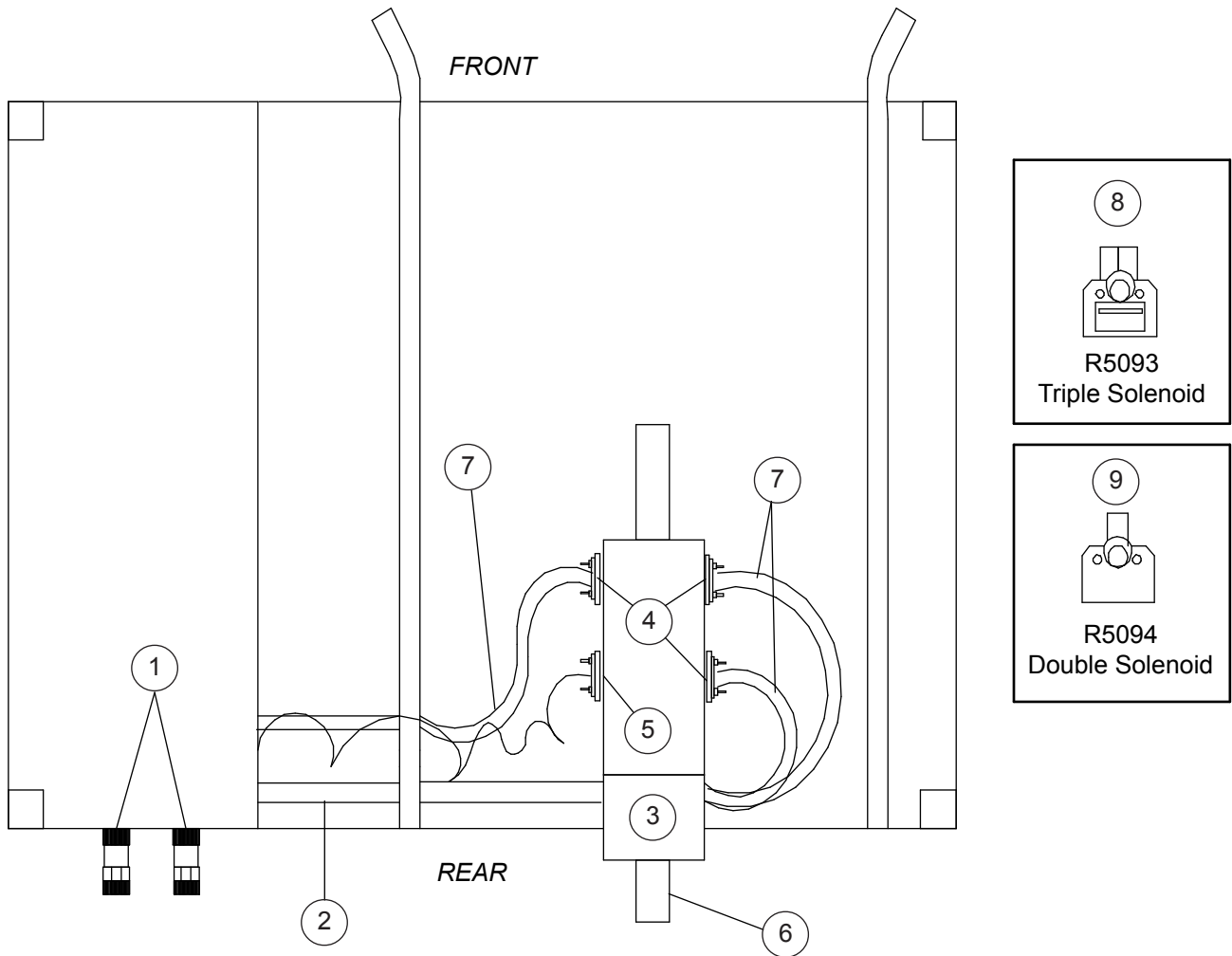
or visit

www.blodgett.com

TABLE OF CONTENTS

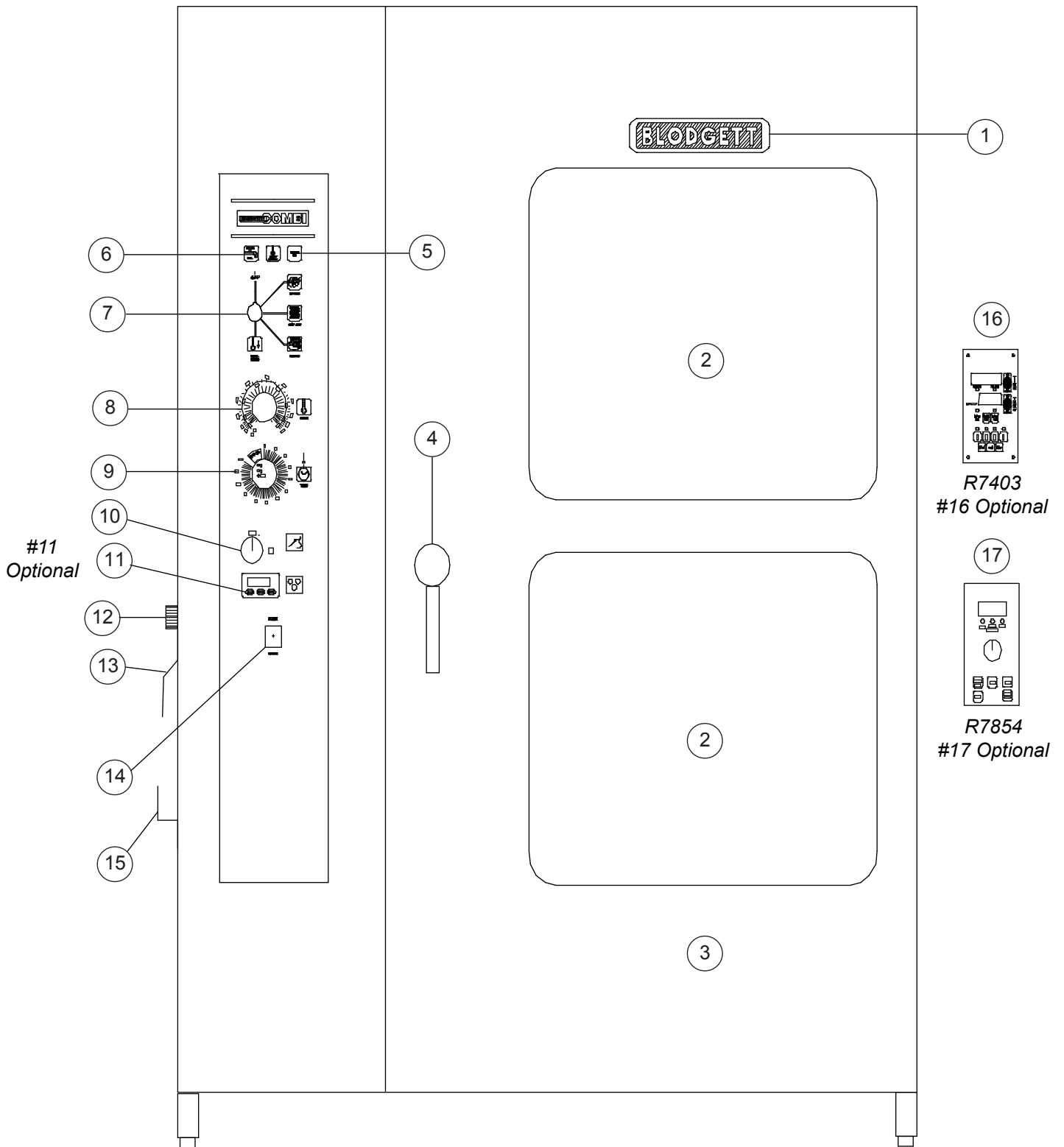
PLUMBING COMPONENTS	3
CONTROL PANEL, DOOR, EXTERIOR COMPONENTS	4
ELECTRICAL COMPARTMENT	6
OVEN INTERIOR	8

PLUMBING COMPONENTS



Ref. No.	Part No.	Description
1	R11210	Regulator, water pressure
2	R1088	Hose, boiler drain/venturi 7/8" ID (orange)(per foot)
	R8651	Hose, boiler drain/venturi 7/8" ID (green) (per foot)
3	R4224	Quench assy
4	R3643	Quench spray nozzle assy
5	R3755	Gasket, quench thermostat
6	R2202	Drain manifold connecting boot
	R2868	Gasket, drain cavity
7	R2812	Hose, 3/8" ID (per foot)
8	R5093	Solenoid valve, triple 208/240V
9	R5094	Solenoid valve, single 208/240V
	R5077	Valve body, solenoid triple
	R5076	Valve body, solenoid single
	R5075	Coil, solenoid valve 208/240V
	R5071	Fitting, barbed
	R7835	Vent kit (HB s/n)

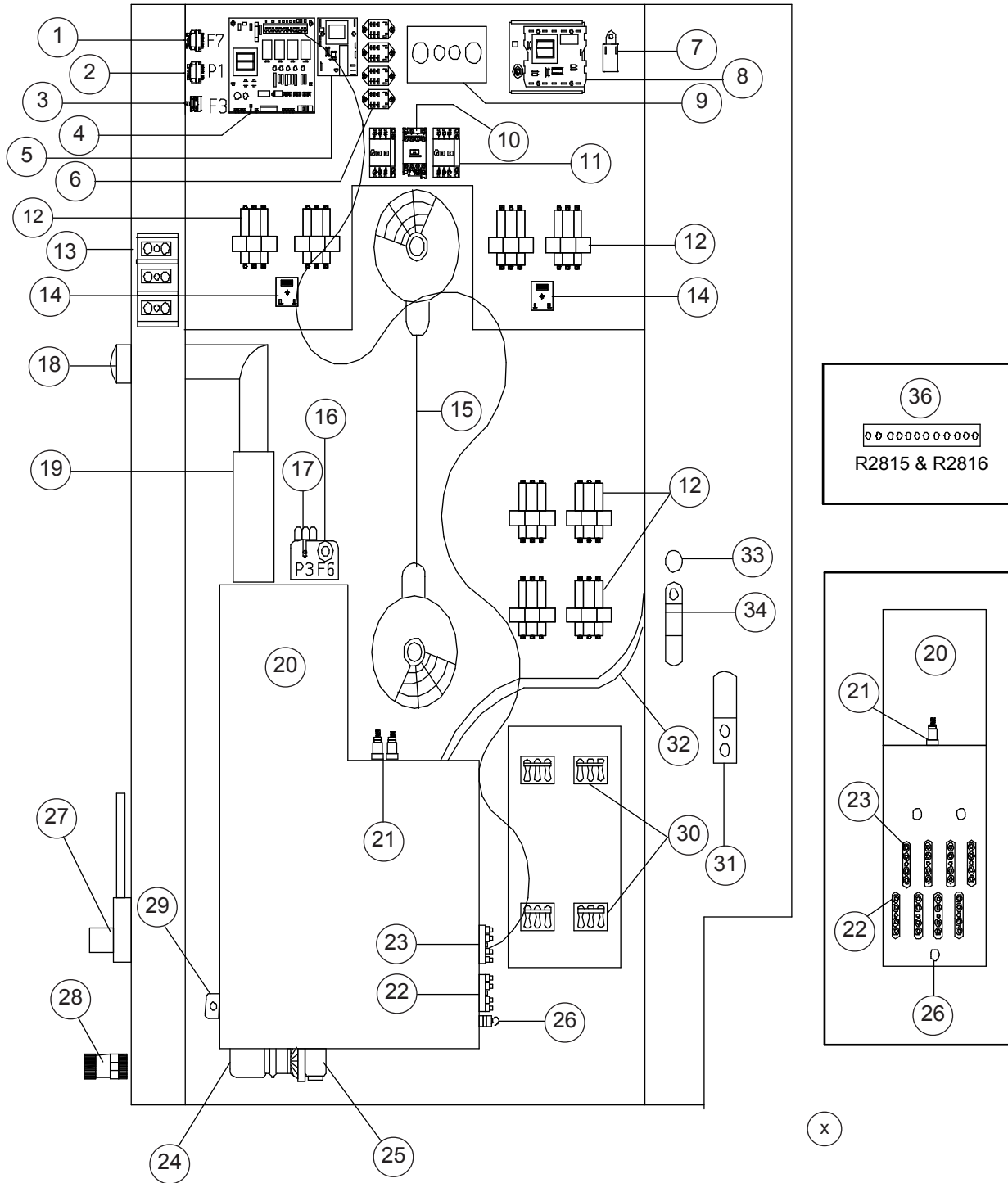
CONTROL PANEL, DOOR, EXTERIOR COMPONENTS



CONTROL PANEL, DOOR, EXTERIOR COMPONENTS

<u>Ref. No.</u>	<u>Part No.</u>	<u>Description</u>	<u>Ref. No.</u>	<u>Part No.</u>	<u>Description</u>
1	16470	Nameplate, Blodgett 10"		R1080	Washer, spring door handle
2	R5797	Glass, window door		R1079	Washer, flat door handle
	R2105	Gasket, door glass (per foot)	5	R1318	Light, indicator green
3	R3460	Door, complete	6	R0226	Light, indicator clear
	R4191	Gasket, door perimeter	7	R4623	Switch, mode 4 position w/knob
	R3496	Retainer strip, gasket (vertical)		R8515	Knob & shaft assy, mode switch
	R3497	Retainer strip, gasket (horizontal)	8	R6407	Controller, temperature hot air P5
	R6979	Guard, door gasket		16686	Knob, temperature controller
	R0922	Catch, roller (on oven)		R6003	Probe, temperature controller
	R0923	Catch, roller (on door)		R3992	Gasket, probe hot air
	R4588	Switch assy, door	9	R2666	Timer, 120 minute
	R5698	Bushing, door switch		R3942	Timer, 120 minute (export only)
	4068	Grommet, door switch		16686	Knob, timer
	R2844	Pin, door switch	10	R4622	Switch, meat probe 1 position
	R4130	Bracket, hinge top	11	R6746	Controller, meat probe (after 7/95)
	22221	Screw, hinge top		R5315	Meat probe, Teflon cable, 500 degrees (after 7/95)
	R4846	Washer, hinge top		R5317	Meat probe, conversion kit (to plug-in type) (before 7/95)
	R4847	Washer, hinge top		R6988	Suppressor arc, meat probe
	R3510	Pin, hinge bottom	12	R2998	Decalcifier inlet, threaded
	R3932	Screw, hinge bottom	13	R3654	Handle, drain decalcifier
	R0733	Washer, hinge bottom		R3011	Black cap, decalcifying
	15932	Bushing, door top & bottom		R3012	Funnel assy, decalcifying
	15933	Washer, door top & bottom		R3155	Valve, w/fittings drain decalcifier
4	R0278	Handle assy, door (before S/N 011399)	14	R2715	Switch, momentary Flush/Drain
	R8162	Handle assy, door (after S/N 011399)	15	R5392	Hook, hose hanger
	R7888	Bar, door handle		R10899	Hose & spray nozzle assy 8 foot
	R1082	Cam, door handle	16	R7403	Control Time & Temp
	R6899	Mount, cam door handle	17	R7854	Control Time & Temp
	R0274	Catch, door center		R5734	Drip pan, transport cart
	R7942	Rod, door handle s/s 3/8-16x4"		R5381	Deflector, drip
	R3052	Shim, gasket s/s door handle		R5803	Handle, transport cart
	R7889	Support, door handle		R0432	Seal, transport cart (per foot)
	R7867	Washer, brass door handle			
	R1083	Washer, acetal door handle 1.625 ID			

ELECTRICAL COMPARTMENT



ELECTRICAL COMPARTMENT

<u>Ref. No.</u>	<u>Part No.</u>	<u>Description</u>	<u>Ref. No.</u>	<u>Part No.</u>	<u>Description</u>
1	R3662	Thermostat, control compartment hi limit F7	20	R5101	Steam generator w/insulation
2	R2801	Thermostat, P1		R5106	Insulation, steam generator
3	R1573	Thermostat, compartment hi limit 670 degrees F3	21	R6965	Probe assy, level sensing
4	R6402	Timing board		R5361	Probe only, level sensing
5	R5708	Level control board (ID s/n)		R1491	Gasket, probe level sensing
	R5776	Conversion kit, level control board (HB s/n)	22	R3142	Probe, level sensing 3 wire type
6	R2792	Relays, R1 R2 R3 R4 220/440V		R2768	Element assy, steam 208V 6kw
7	R9498	Buzzer		R4248	Element assy, steam 220V 6kw (export only)
8	R1443	Control board, steam thermostat		R7723	Element assy, steam 230V 6kw (export only)
	R0022	Sensor, thermostat P2		R2510	Element assy, steam 240V 6kw
9	R0043	Fuse, 3 amp 208/240V KTKR3	23	R2512	Element assy, steam 480V 6kw
	R5774	Fuse, 2 amp 480V FNQR2		R7181	Element assy, steam w/thermocouple 208V 3kw
	R5773	Fuse, 1 amp 480V FNQR1		R7183	Element assy, steam w/thermocouple 240V 3kw
	20442	Holder, all fuses	24	R7185	Element assy, steam w/thermocouple 480V 3kw
10	51692	Contactora, motor 208V K1		R2467	Boot, rubber drain
	51693	Contactora, motor 240V K1		R2487	Clamp, rubber drain boot large
11	R1823	Motor protector, F2	25	R0254	Clamp, rubber drain boot small
12	R2324	Contactora, mercury, hot air K2 or steam K3		R2726	Pump, drain 208/240V
	R1808	Contactora, auxillary hot air K2A		R7563	Pump, drain (export only)
	R0038	Capacitor, suppressor K3	26	R6870	O'ring, drain pump
13	R5252	Terminal block, power		R2812	Hose, generator fill 3/8" ID (per foot)
14	R5305	Timer, 2 second solid state	27	R0080	Clamp, generator fill
15	R5108	Motor, 115/230V 1ph 1/2hp (after 10/95)		R2202	Drain manifold connecting boot
	R5112	Motor, 480V 3ph 1/2hp (after 10/95)		R2202	Clamp, drain boot
	R3491	Seal, copper washer	28	R11210	Regulator, water pressure
	R4244	Seal, rotary shaft	29	R3661	Thermostat, quench P4
	R5769	Tool, motor installation		R3755	Gasket, quench P4
	R0092	Motor, 208/240V 3ph (before 10/95)	30	11203	Breaker, circuit 60amp 208V Ovens only
	R0081	Motor, 480V 3ph (before 10/95)	31	R5392	Hook, hose hanger
	R2328	Rope & plate packing assy	32	R2812	Hose, decalcifier inlet (per foot)
16	R2630	Thermostat, steam generator hi limit F6		R0080	Clamps, decalcifier inlet
17	R0118	Thermostat, steam pre-heat priority P3	33	R2998	Decalcifier inlet, threaded
18	R4891	Steam overpressure assy	34	R3654	Handle, drain decalcifier
19	R4579	Hose, steam outlet 2-3/8" ID (per foot)	36	R2815	Pin connector, 10 pin
	R2207	Clamp, steam outlet		R2816	Pin connector, 11 pin

OVEN INTERIOR PARTS (NOT SHOWN)

Ref. No.	Part No.	Description
	R5081	Blower wheel assy (after 10/95)
	R1028	Blower wheel assy (before 10/95)
	R7189	Element assy, hot air 208V
	R4903	Element assy, hot air 220V (export only)
	R8322	Element assy, hot air 230V (export only)
	R7190	Element assy, hot air 240V
	R7192	Element assy, hot air 480V
	R4272	Baffle, air s/s
	R3760	Filter, grease
	R8130	Baffle and filter retrofit
	R5324	Shelf, wire s/s (TC14 cart)
	R1013	Shelf, wire s/s (TC10 and TC12 carts)