



**AC-500 XCEL
DIRECT FIRED GAS CONVECTION OVEN
REPLACEMENT PARTS LIST**



EFFECTIVE JUNE 9, 2010

BLODGETT OVEN COMPANY, 44 Lakeside Avenue, Burlington, Vermont 05401 USA

Telephone: (802) 658-6600 Fax: (802) 860-3732

www.blodgett.com

P/N 53082

Superseding All Previous Parts Lists.

The Company reserves the right to make substitution in the event that items specified are not available.

ERRORS: Descriptive and/or typographic errors are subject to correction.

www.blodgett.com

SERIAL NUMBER LOCATION / KEY:

***IMPORTANT:** When ordering parts, please provide the model, gas type and serial number of the oven. The identification plate is located in the bottom of the motor compartment on the right hand side and, also, above the control panel under the ledge.*

SERIAL NUMBER IDENTIFICATION CODE:

RJ = AC500 XCEL

SERIAL NUMBER EXAMPLES

030104RJ001T (NEW STYLE)

03/01/04 = DATE

RJ = LETTER CODE FOR AC500 XCEL

001 = FACTORY SEQUENCE

T = TOP OVEN

TO OBTAIN LITERATURE:

Blodgett Literature Department

Email: literature@blodgett.com

or

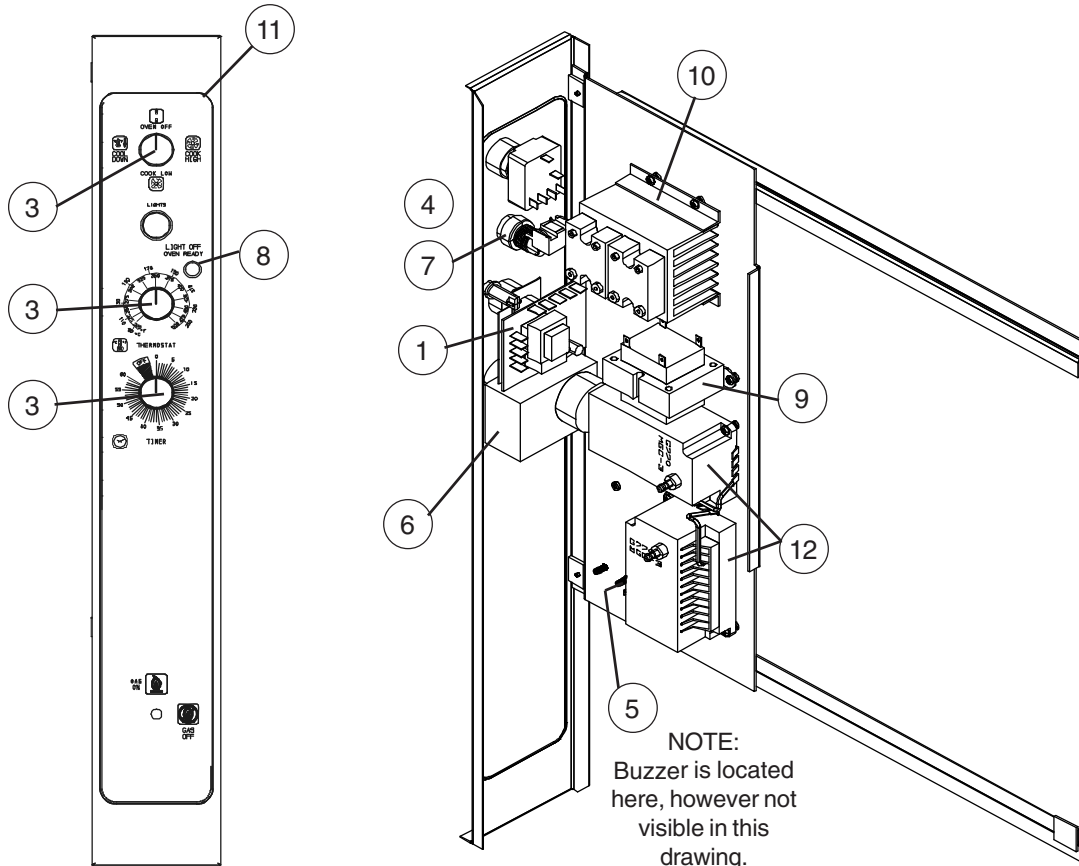
www.blodgett.com

TABLE OF CONTENTS

◆ Doors Are Not Returnable

SOLID STATE MANUAL CONTROLS	PAGE 4
SOLID STATE DIGITAL CONTROLS	PAGE 5
CH102 FAST CONTROLS	PAGE 6
BURNER ASSY AND GAS VALVE COMPONENTS.....	PAGE 7
INTERIOR VIEW	PAGE 8
DOOR COMPONENTS	PAGE 9
LOWER DOOR SUPPORT COMPONENTS	PAGE 10
EXTERIOR COMPONENTS	PAGE 11
ACCESSORIES.....	PAGE 12

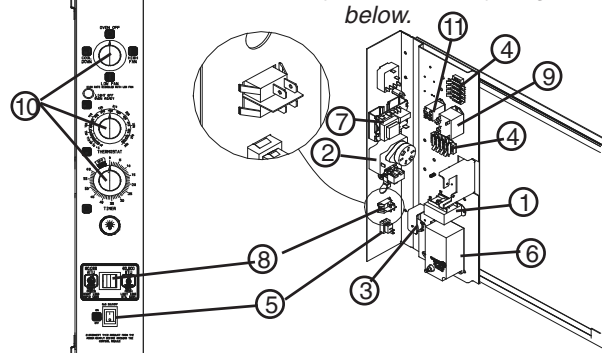
SOLID STATE MANUAL CONTROLS



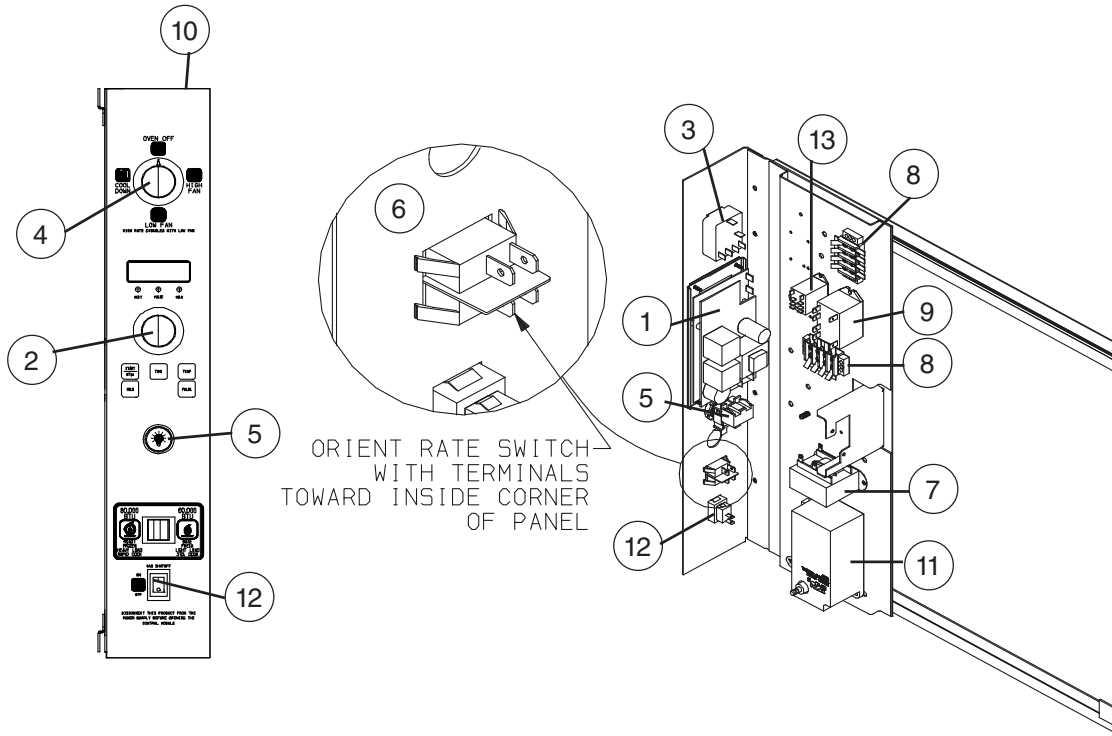
Ref. No.	Part No.	Description
1	18578	Controller, Temperature
	30712	Probe, Temperature
2	18234	Potentiometer, Remote
3	24684	Knob, for Temperature, Mode Selector, Timer
4	21068	Mode Selector Switch, 4 Position
5	36121	Buzzer, 120V
6	18225	Timer, 60 Minute, 120V, 60 HZ
7	30662	Momentary Light Switch Kit
8	18265	Indicator Light, 28V, Red, Round
9	31274	Transformer, 120V to 24V
10	33910	Relay Assy
11	31841	Decal, Lexan Control (Manual)
12	36432	Spark Box
	30503	Terminal Block
	22301	Axial Fan Assy
	36580	Harness, Rear Connecting

FOR UNITS BUILT AFTER 10/22/03- THESE PARTS WERE ADDED/CHANGED DUE TO A CHANGE IN VOLTAGE.

Ref. No.	Part No.	Description
	37520	Probe, temperature
1	20355	Transformer, 115V to 24V
2	37317	Timer, 60 Min 24V
3	37315	Buzzer 24V
4	37090	Harness, control
5	36376	Switch, Gas on/off
6	36432	Spark Box
7	36546	Controller, Temperature
8	R8740	Switch, Rate
9	37058	Relay, 24 VAC
10	36616	Knob, Control
	37334	Harness, infinite add-in
11	R3984	Relay, DPST 24V
	37324	Module Assy- includes everything pictured below.

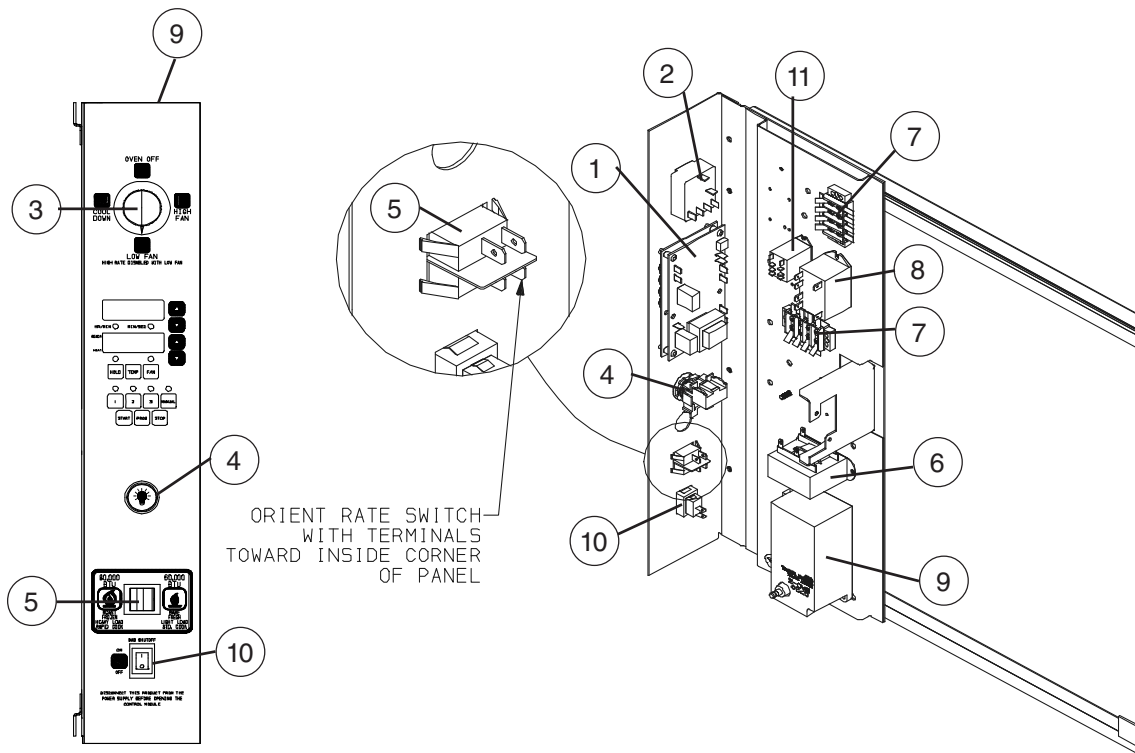


SOLID STATE DIGITAL CONTROLS 5 KEY



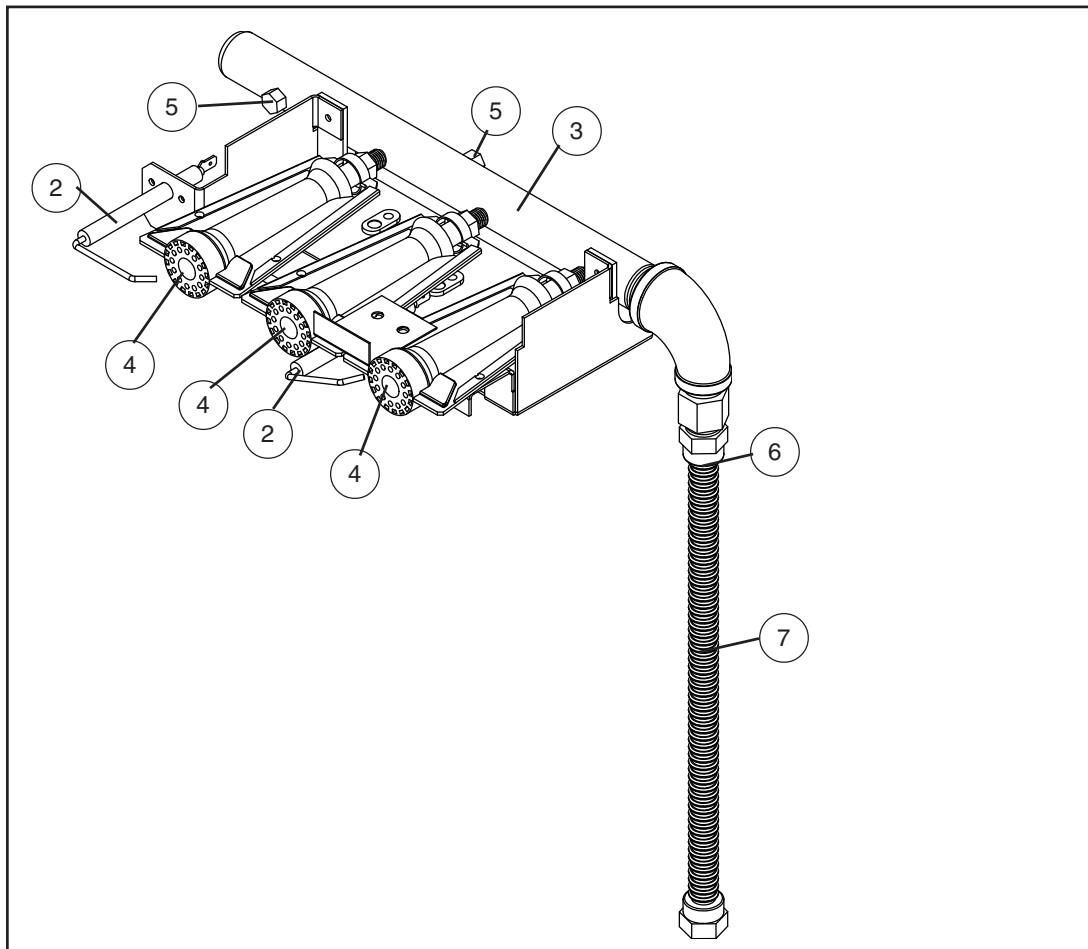
Ref. No.	Part No.	Description
1	30658	Controller, Time & Temperature Qty 1
	37520	Probe, Temperature Qty 1
2	36617	Knob, Adjust Temperature Qty 1
3	21068	Mode Selector Switch, 4 Position Qty 1
4	36616	Knob, Mode Selector Qty 1
5	30662	Momentary Light Switch Kit
6	R8740	Rate Switch
7	20355	Transformer, 120V to 24V
	37099	MOV Assy (not shown)
	NOTE:	<i>The MOV Assy attaches to the terminal block of the control harness.</i>
8	37090	Harness, Control (not shown complete)
	NOTE:	<i>The two terminal blocks shown are included with the harness and are shown plugged into the module. The wires of the harness have been eliminated from the picture.</i>
9	37058	Relay Assy Qty 1
10	37983	Control Panel & Decal Assy Qty 1
11	36432	Spark Box
12	36376	Gas Switch, On/Off
13	R3984	Relay, DPST, 24V
	R7514	MOV Assy (not shown)
	NOTE:	<i>The MOV Assy R7514 attaches to the coil of the Relay R3984. They do not come as a kit and must be purchased as separate items.</i>
	30503	Terminal Block
	22301	Axial Fan Assy
	36580	Harness, Rear Connecting
	37306	Module Assy- includes everything pictured above

CH102 FAST CONTROLS 14 KEY



Ref. No.	Part No.	Description
1	37087	Controller, CH102 (14 Key)
	37519	Probe, RTD 1000 ohm
2	21068	Mode Selector Switch, 4 Position Qty 1
3	36616	Knob, Mode Selector Qty 1
4	30662	Momentary Light Switch Kit
5	R8740	Rate Switch
6	20355	Transformer, 120V to 24V
7	37090	Harness, Control (not shown complete)
	NOTE:	The two terminal blocks shown are <u>included with the harness</u> and are shown plugged into the module. The wires of the harness have been eliminated from the picture.
8	37058	Relay Assy Qty 1
9	36432	Spark Box
10	36376	Gas Switch, On/Off
11	R3984	Relay, DPST, 24V
	R7514	MOV Assy (not shown)
	NOTE:	The MOV Assy R7514 attaches to the coil of the Relay R3984. They do not come as a kit and must be purchased as separate items.
	30503	Terminal Block
	22301	Axial Fan Assy
	36580	Harness, Rear Connecting

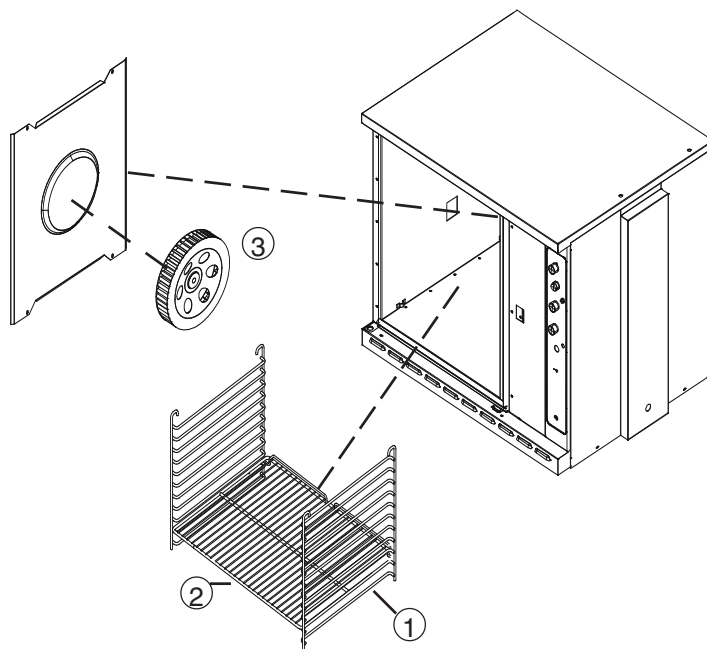
BURNER ASSEMBLY & GAS VALVE



<u>Ref. No.</u>	<u>Part No.</u>	<u>Description</u>
2	38453	Ignitor Upgrade Kit Consists of Flame Sensor Probe and Ignitor Rod
2	38521	Ignitor, Spark Rod Qty 2
3	36416	Manifold
4	36415	Orifice, Blank Qty 3
5	4872	Plug, pipe Qty 2
6	1949	Nipple, Close 1/2" NPT
7	33249	Flex Hose
	36608	Gas Valve, NAT & LP

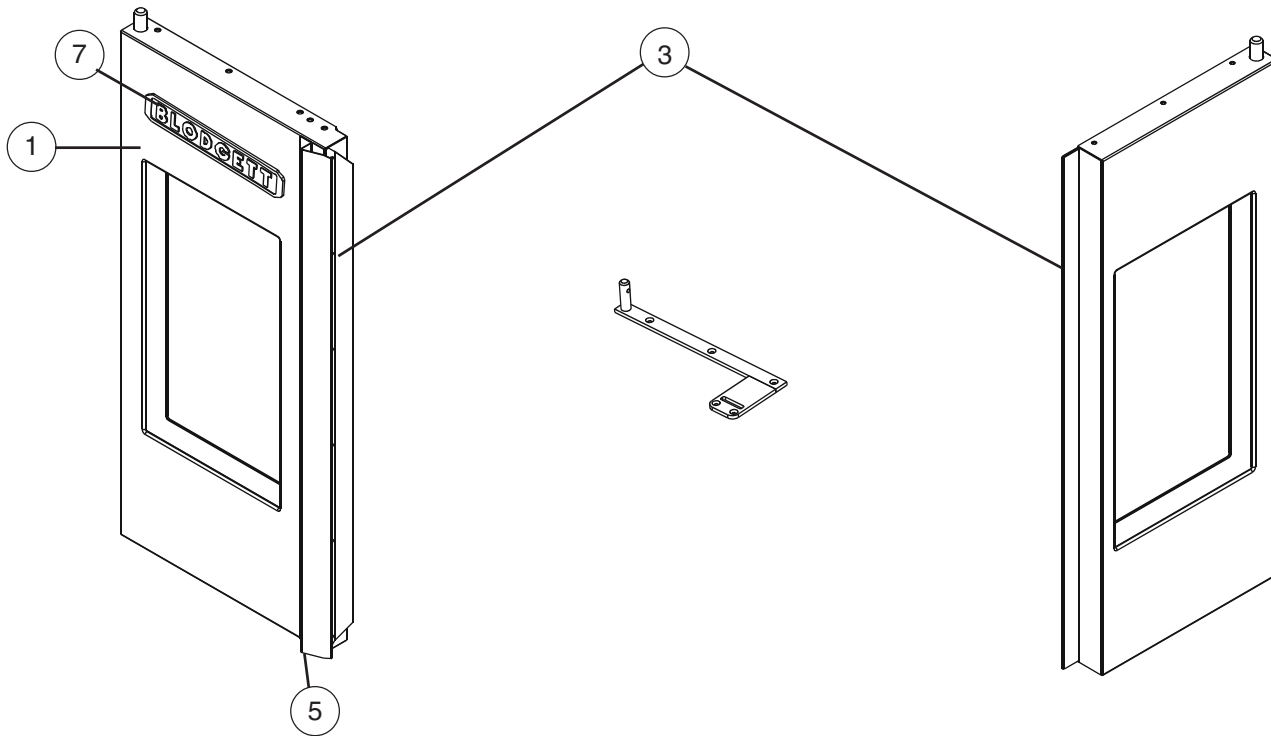
1

INTERIOR VIEW



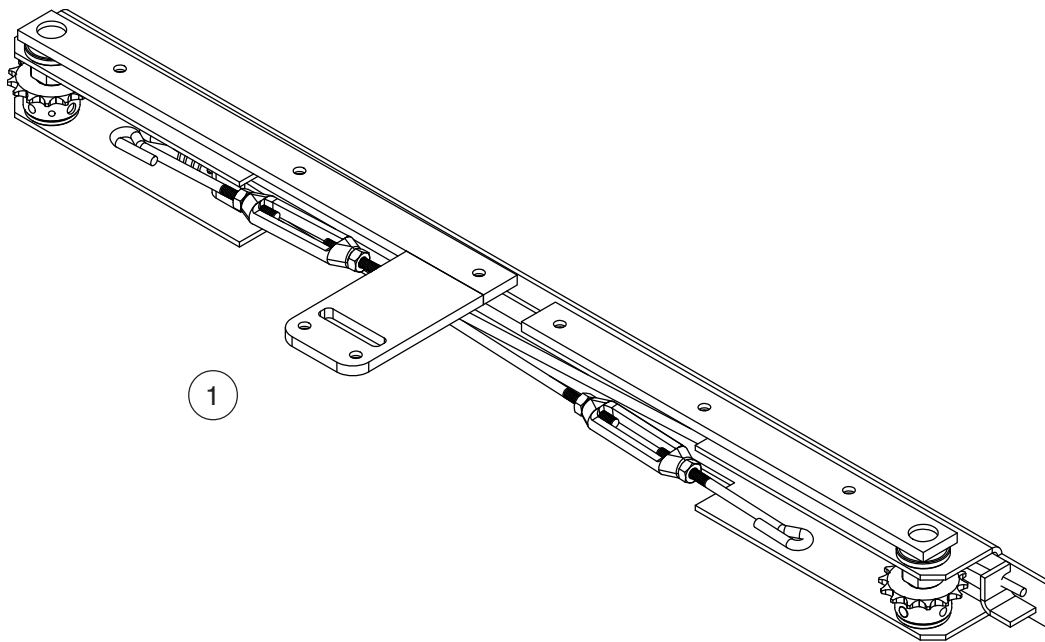
Ref. No.	Part No.	Description
	37022	Motor, 2SP, 3/4 HP
	30988	Retainer, Probe Wire (Qty 2)
1	30677	Rack Support (Qty 2- sold individually)
2	30676	Rack, Wire (27-3/8" x 23-5/16") (Each)
3	30649	Blower Wheel (Qty 1)
	31741	Bulb, Light 25W, 120V, (Qty 2)
	35791	Lens, Cover Light (Qty 2)
	22301	Axial Fan, 115V 106 CFM 4"
	22718	Fan Guard and Hardware
	30503	Terminal Block
	31595	Power Cord assy
	36580	Rear Harness

DOOR COMPONENTS



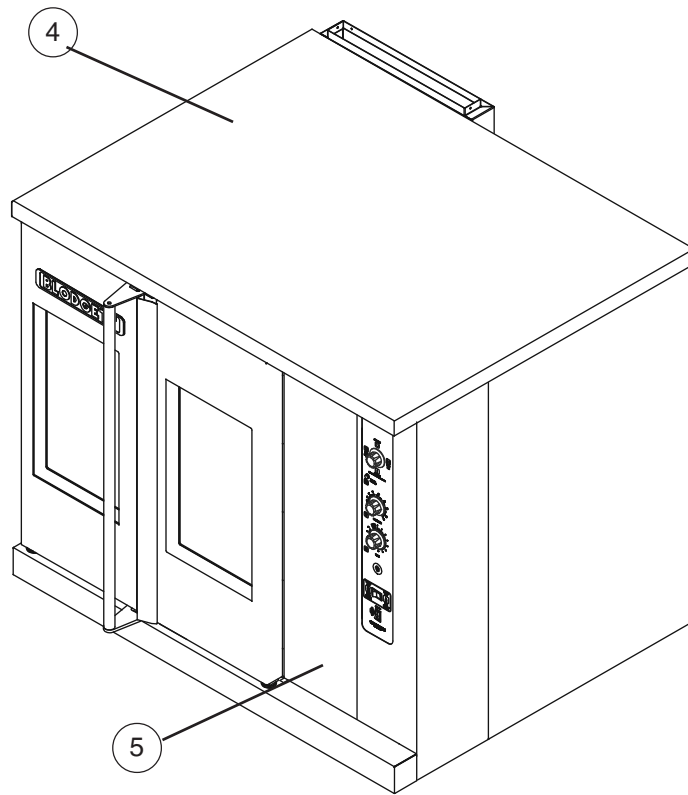
<u>Ref. No.</u>	<u>Part No.</u>	<u>Description</u>
1	◆ 37265	Door Assy, LH Glass (Qty 1)
3	9036	Window Assy
5	37268	Pressure Lock (helps with latching)
	37392	Microswitch Assy, double door
7	16470	Nameplate "BLODGETT"
	31919	Gasket Assy, Perimeter
	37304	Gasket Assy, Center

LOWER DOOR SUPPORT COMPONENTS



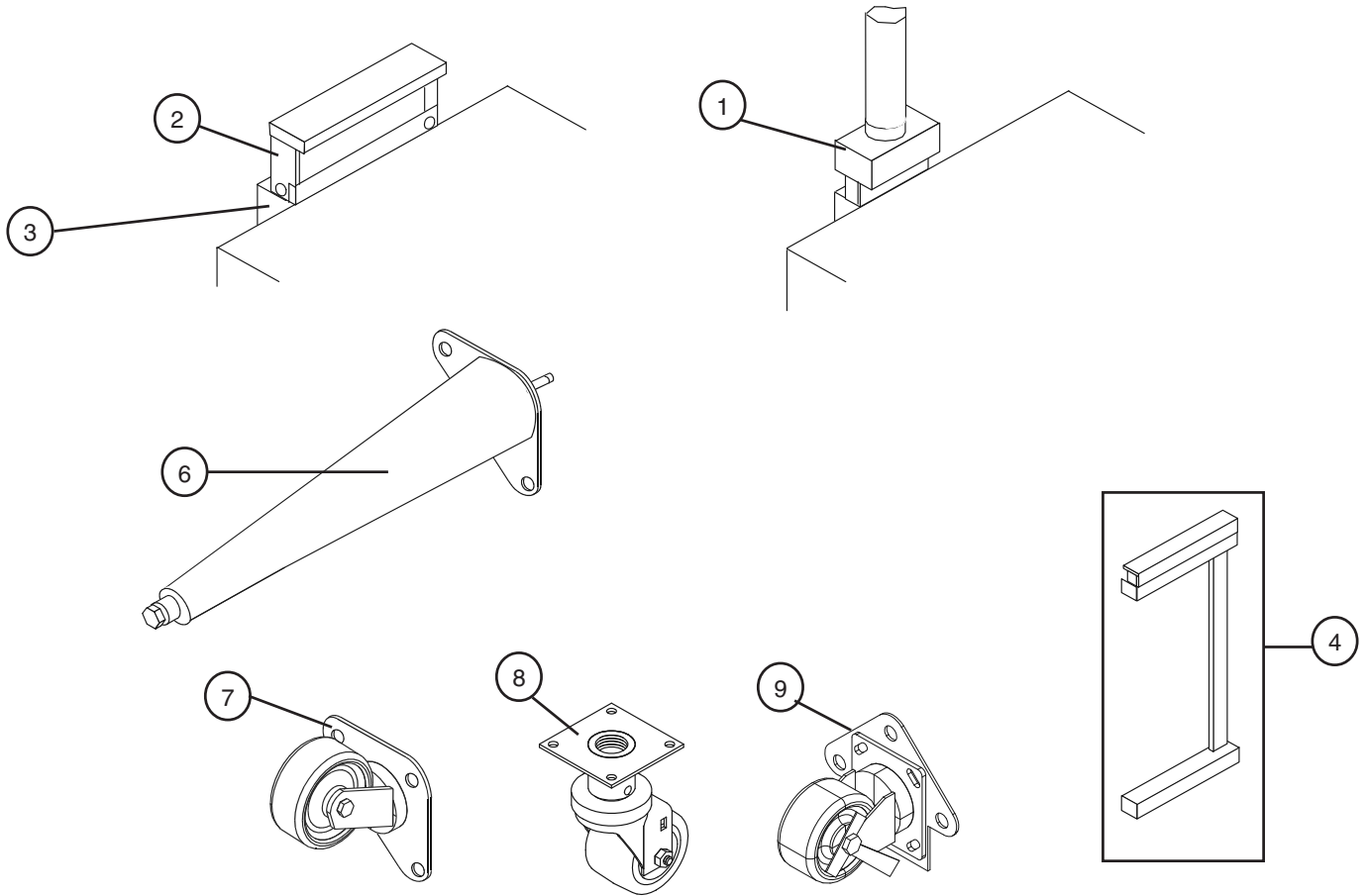
<u>Ref. No.</u>	<u>Part No.</u>	<u>Description</u>
1	37273	Lower Door Support Assy
	NOTE:	<i>Lower Door Support Assy includes the hinge pins, arms, chain & turnbuckles, sprocket assys, cam assy, and microswitch.</i>
	37392	Microswitch Assy (not visible)

EXTERIOR COMPONENTS



Ref. No.	Part No.	Description
	31919	Gasket Assy, Perimeter
4	37280	Body Top S/S
	OBS	Body Back, S/S
	OBS	Panel, Front Trim Sgl Door Option
5	37262	Cover, Control (next to door)

ACCESSORIES



Ref. No.	Part No.	Description
1	7839	Drafthood, Direct Venting, S/S Qty 1
2	7840	Draft Diverter, Canopy Venting, S/S Qty 1
3	36686	Flue Box, Sgl Oven Qty 1
4	37598	Vent Assy, Complete
	21826	Installation Hose, 36"
	21242	Installation Hose, 48"
	31595	Cord Set Assy, 6 Feet Qty 1
6	33193	Legs, 25" w/ Bolts, S/S Set of 4
	16002	Casters, Set of 4, Sgl Oven
	33199	Casters, Plate 5" All locking, Set of 4, Dbl Oven
	19528	Casters, Low Profile, Set of 4, Dbl Oven
7	31013	Casters, HD, Low Profile, Set of 4, Dbl Oven
8	33425	Casters & Leg Plates, Adjustable 3" Locking, Set of 4, Dbl Oven
9	5779	Casters, Plate 5" 2 Locking/2 Non-locking, Set of 4, Dbl Oven