



**SHO-G  
ECONOMY GAS CONVECTION OVEN  
REPLACEMENT PARTS LIST**



**EFFECTIVE JANUARY 18, 2012**

Superseding All Previous Parts Lists.

The Company reserves the right to make substitution in the event that items specified are not available.

ERRORS: Descriptive and/or typographic errors are subject to correction.

---

**BLODGETT OVEN COMPANY**

44 Lakeside Avenue, Burlington, Vermont 05401 USA Telephone: (802) 658-6600 Fax: (802) 860-3732  
[www.blodgett.com](http://www.blodgett.com)

*P/N 54128 Rev B*

## SERIAL NUMBER LOCATION / KEY:

***IMPORTANT: When ordering parts, please provide the model, gas type and serial number of the oven. The identification plate is located above the right hand door.***

## SERIAL NUMBER IDENTIFICATION CODE:

**XG=SHO GAS CONVECTION OVEN MFR. AFTER 11-05-05**

**XD=SHO GAS CONVECTION OVEN MFR. BEFORE 11-05-05**

## SERIAL NUMBER EXAMPLES

**062006XG001 (NEW STYLE)**

**06/20/06 = DATE**

**XG= LETTER CODE FOR SHO**

**001 = FACTORY SEQUENCE**

PLEASE NOTE THAT THE SERIAL NUMBERS

ON THE SHO ARE ONLY 12 DIGITS LONG!!!

### **TO OBTAIN LITERATURE:**

Email: [literature@blodgett.com](mailto:literature@blodgett.com)

or visit

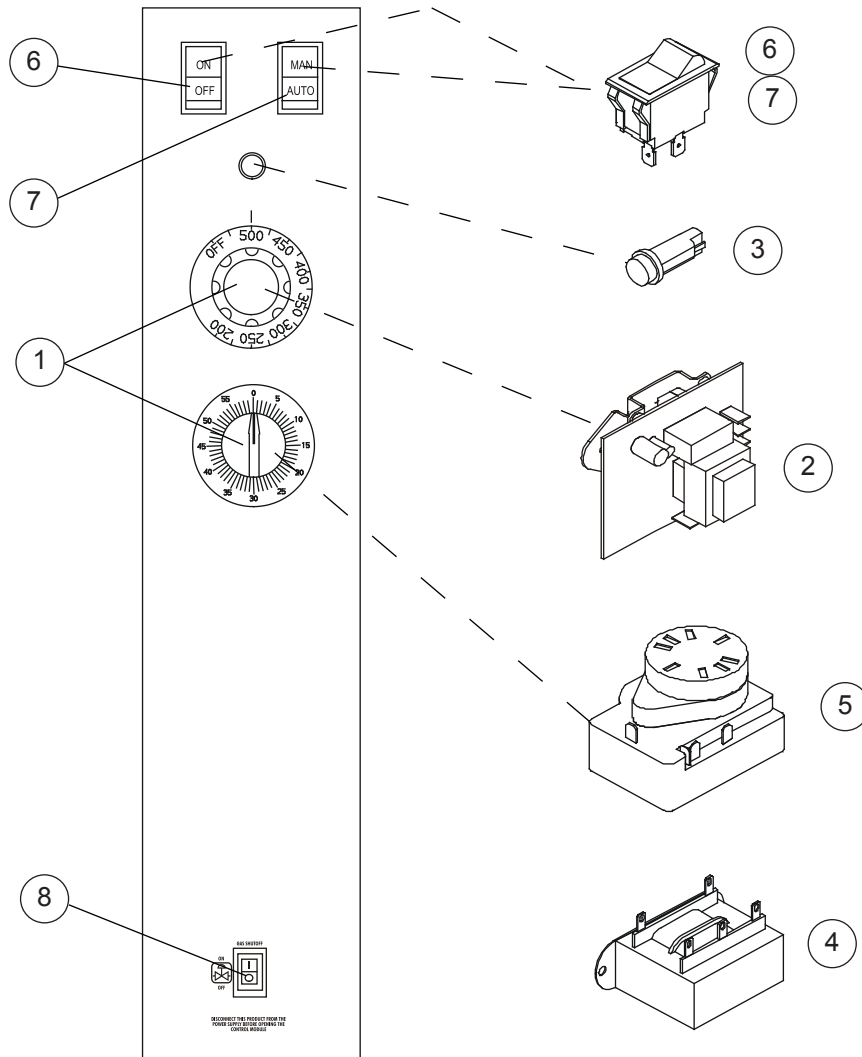
[www.blodgett.com](http://www.blodgett.com)

# TABLE OF CONTENTS

## ◆ Doors Are Not Returnable

ELECTRICAL COMPONENTS (11-05-05 AND AFTER) .....	4
ELECTRICAL COMPONENTS (BEFORE 11-05-05) .....	5
INTERIOR COMPONENTS & EXTERIOR VIEW(11-05-05 AND AFTER) .....	6
INTERIOR COMPONENTS & EXTERIOR VIEW(BEFORE 11-05-05) .....	7
BURNER & PIPING(BEFORE 11-05-05) .....	8
GAS VALVE ASSY(11-05-05 AND AFTER) .....	9
GAS VALVE ASSY(BEFORE 11-05-05) .....	10
DOOR COMPONENTS .....	11
LOWER DOOR SUPPORT COMPONENTS .....	12
ACCESSORIES .....	13

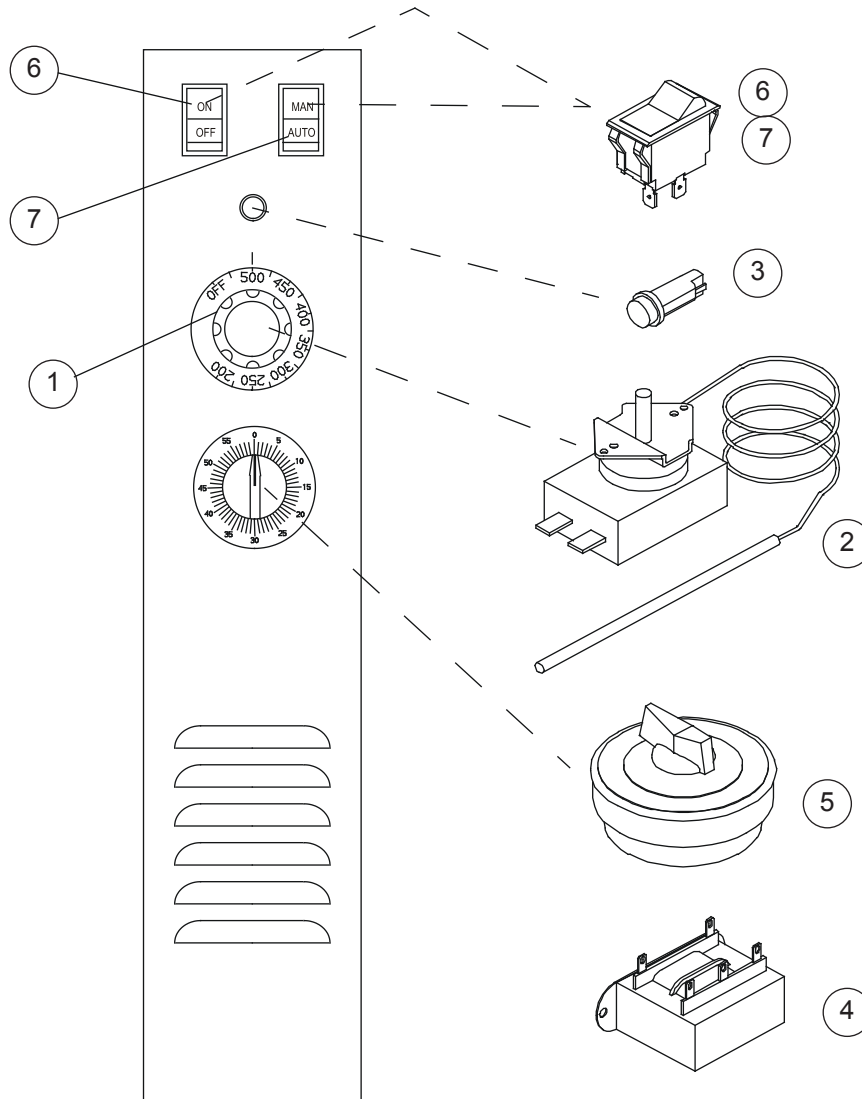
# ELECTRICAL COMPONENTS UNITS MADE 11-05-05 AND AFTER



<u>Ref. No.</u>	<u>Part No.</u>	<u>Description</u>
1	16686	Knob, for Temp control
2	33152	Temperature Controller w/Potentiometer
	18588	Temperature Probe
3	18265	Indicator Light, 28V Red Round
	20348	Spark Box Assy Nat & LP
4	20355	Transformer, 115/24V
	39108	Terminal Block, 7 position
	35702	Microswitch, Door
	39235	Harness, Wiring, Line Voltage Front
	39234	Harness, Wiring 24V Front
	5091	Cord Set Assy
5	18225	Timer 60 Minute, Electrical 120V

<u>Ref. No.</u>	<u>Part No.</u>	<u>Description</u>
6	7636	Knob, For timer 18225
7	6502	Rocker Switch, 3PDT, Black, 2SP
	20349	Rocker Switch, DPDT, Red, Cool dn
	36755	Buzzer Assy 120V
	22301	Switch, Thermal SPDT
	22718	Axial Fan, 115V 4"
	22719	Guard Assy, Axial Fan
	23077	Cord Set and Nuts, Axial Fan
	37058	Capacitor, Electrolytic
8	36376	Relay, DPST 25A 24V
		Switch, Gas On/Off

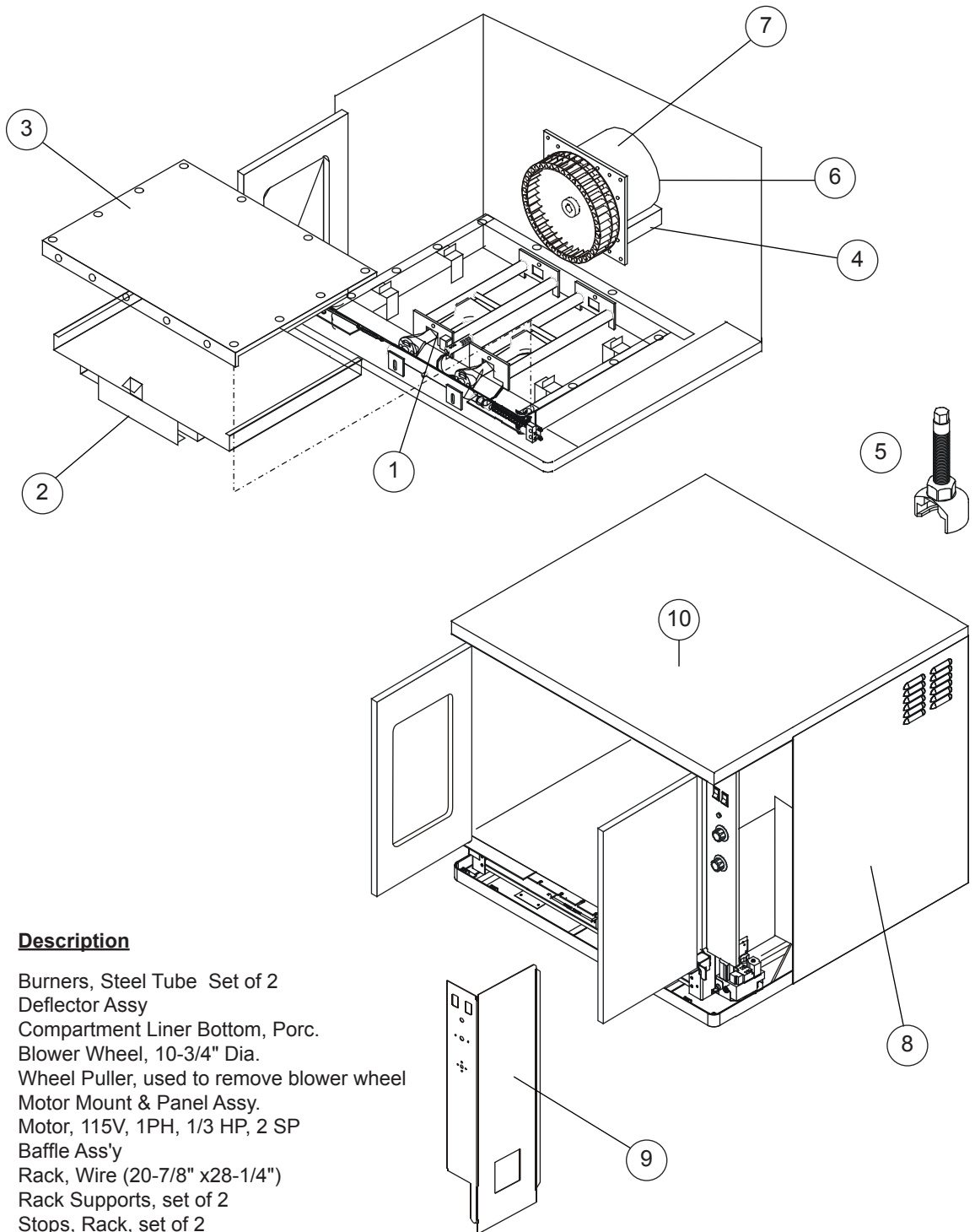
# ELECTRICAL COMPONENTS UNITS MADE BEFORE 11-05-05



Ref. No.	Part No.	Description
1	16393	Dial Fahrenheit
2	16536	Thermostat, KX-234-36
	33939	Bulb Clip, Thermostat
3	18265	Indicator Light, 28V Red Round
	54725	Spark Box 24V
4	20355	Transformer, 115/24V
	30503	Terminal Block
	35193	Microswitch, Door
	36785	Harness, Control Oven for units before Sept 2004
	36987	Motor Conduit Assy
	5091	Cord Set Assy
5	5147	Timer 60 Minute Mechanical w/Bell for units built before to Sept 2004.

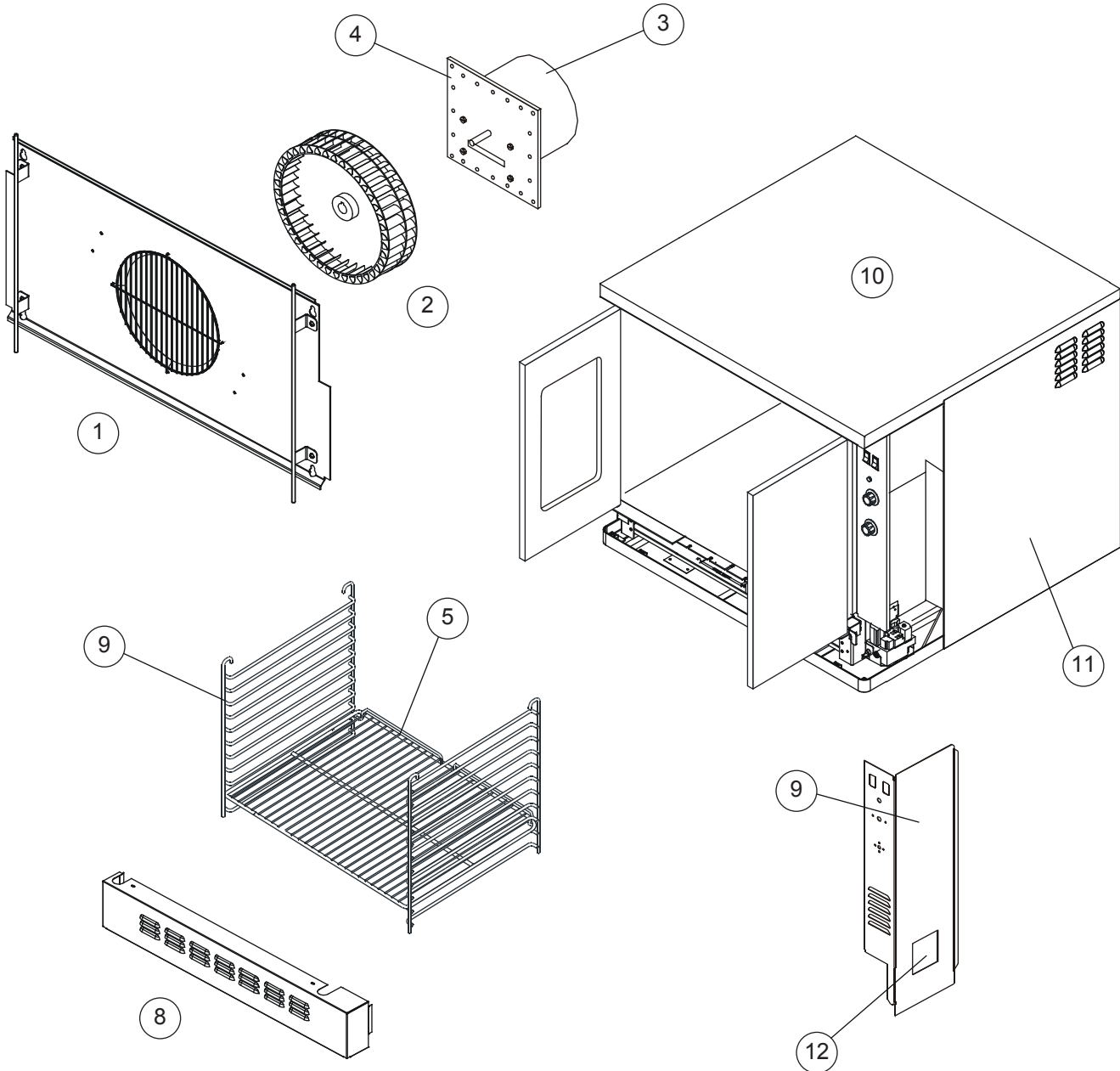
Ref. No.	Part No.	Description
	34483	Knob, for timer 5147
	18225	Timer 60 Minute, Electrical 120V for units built after Sept 2004.
	16686	Knob, for timer 18225
6	6500	Rocker Switch, DPST, Blue, 1SP
7	6502	Rocker Switch, DPDT, Red, Cool dn
	6503	Rocker Switch, DPDT, Black, 2SP
	20349	Buzzer Assy 120V
	36755	Switch, Thermal SPDT
	22301	Axial Fan, 115V 4"
	22718	Guard Assy, Axial Fan
	22719	Cord Set and Nuts, Axial Fan
	37292	Harness, Axial Fan

# INTERIOR COMPONENTS & EXTERIOR VIEW OVENS MANUFACTURED 11-05-05 AND AFTER



Ref. No.	Part No.	Description
1	18799	Burners, Steel Tube Set of 2
2	17861	Deflector Assy
3	17752	Compartment Liner Bottom, Porc.
4	15853	Blower Wheel, 10-3/4" Dia.
5	33147	Wheel Puller, used to remove blower wheel
6	90027	Motor Mount & Panel Assy.
7	32291	Motor, 115V, 1PH, 1/3 HP, 2 SP
	51673	Baffle Ass'y
	18768	Rack, Wire (20-7/8" x28-1/4")
	19081	Rack Supports, set of 2
	19171	Stops, Rack, set of 2
	38679	Shield, Probe
	5395	Baffle Support Ass'y
	34560	Body Back Assembly
	37205	Bodyside, LH
8	36407	Bodyside, RH
	17858	Combustion Cover Ass'y
9	36798	Panel, Control
10	38991	Body Top

# INTERIOR COMPONENTS & EXTERIOR VIEW OVENS MANUFACTURED BEFORE 11-05-05

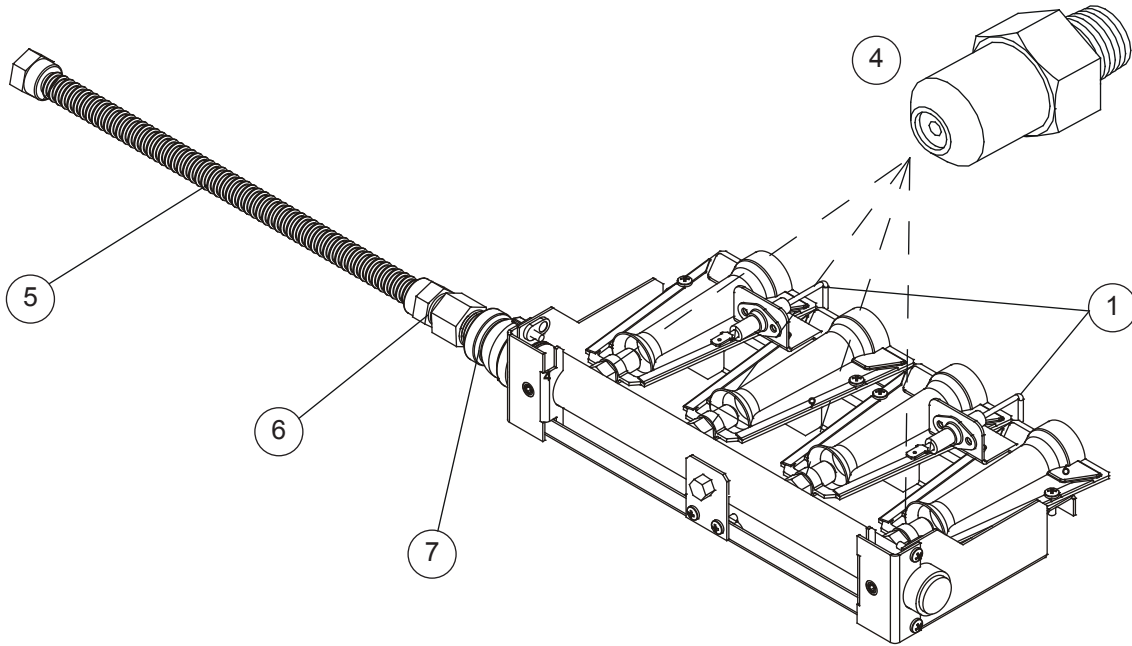


Ref. No.	Part No.	Description
1	37006	Interior Baffle, Porc Blower Wheel Cover NAT
	36437	Interior Baffle, Porc Blower Wheel Cover LP
2	15853	Blower Wheel 1SP units
	33171	Blower Wheel 2 SP units
	33147	Wheel Puller
3	36828	Motor, 1/2 hp 1 SP units
	37022	Motor, 3/4 hp 2 SP units
4	36657	Motor Support Assy 1 SP units
	37171	Motor Support Assy 2 SP units
5	18768	Racks, Qty 5 per oven
6	36900	Rack Support Kit, Set of 2
	36620	Stop, Rack Qty 2 per oven

Ref. No.	Part No.	Description
8	36822	Cover, Combustion Compartment
	33939	Thermostat Bulb Clip
9	36798	Control Access Panel
10	36797	Body Top, Before 11/3/2005
10	38991	Body Top, After 11/3/2005
11	36821	Bodyside, RH, Before 11/3/2005
	36839	Bodyside, LH, Before 11/3/2005
11	37205	Bodyside, LH, After 11/3/2005
	36407	Bodyside, RH, After 11/3/2005
12	20757	Gas Valve Cover

**NOTE:** *Compartment Liner Bottom is NOT REPLACEABLE in this unit.*

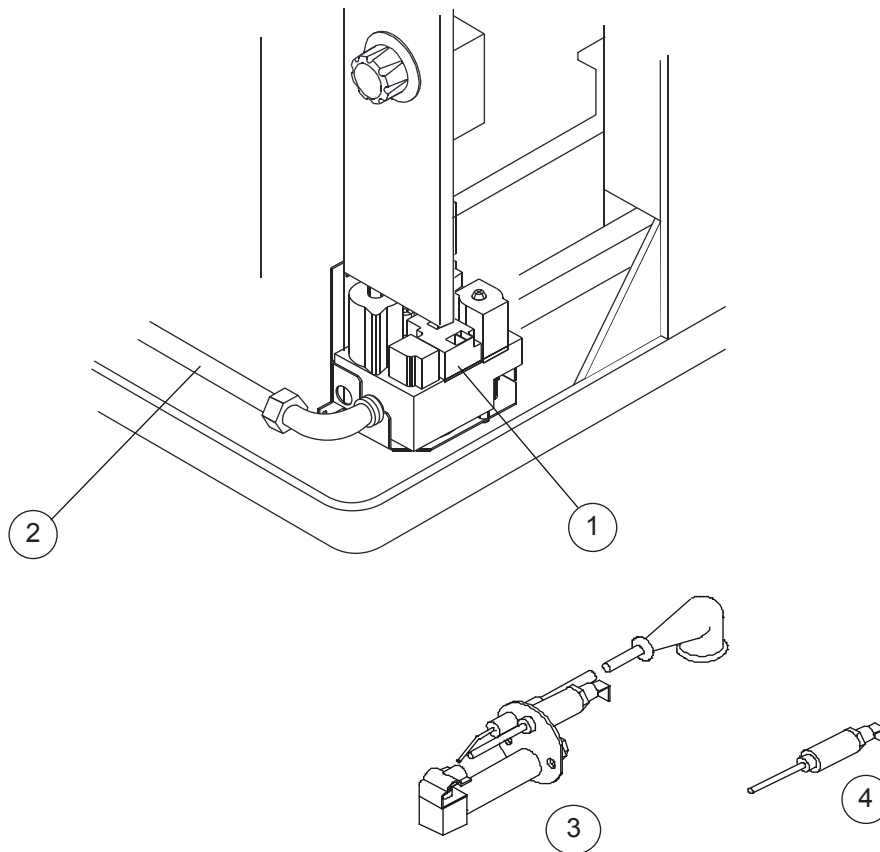
# BURNER & PIPING COMPONENTS UNITS MADE BEFORE 11-05-05



<b>Ref. No.</b>	<b>Part No.</b>	<b>Description</b>
1	38452	Ignitor/Flame Sensor Upgrade Kit
	39987	Flame Sensor
	38521	Ignitor Rod
2	39110	Burner Upgrade Kit, In Shot, NAT
2	39111	Burner Upgrade Kit, In Shot, LP
4	36415	Orifice, NAT Qty 4 per oven (specify size)
4	36415	Orifice, LP Qty 4 per oven (specify size)
5	33249	Gas Flex Hose, 1/2"
6	1949	Nipple, Pipe 1/2 NPT
7	36416	Manifold Assy

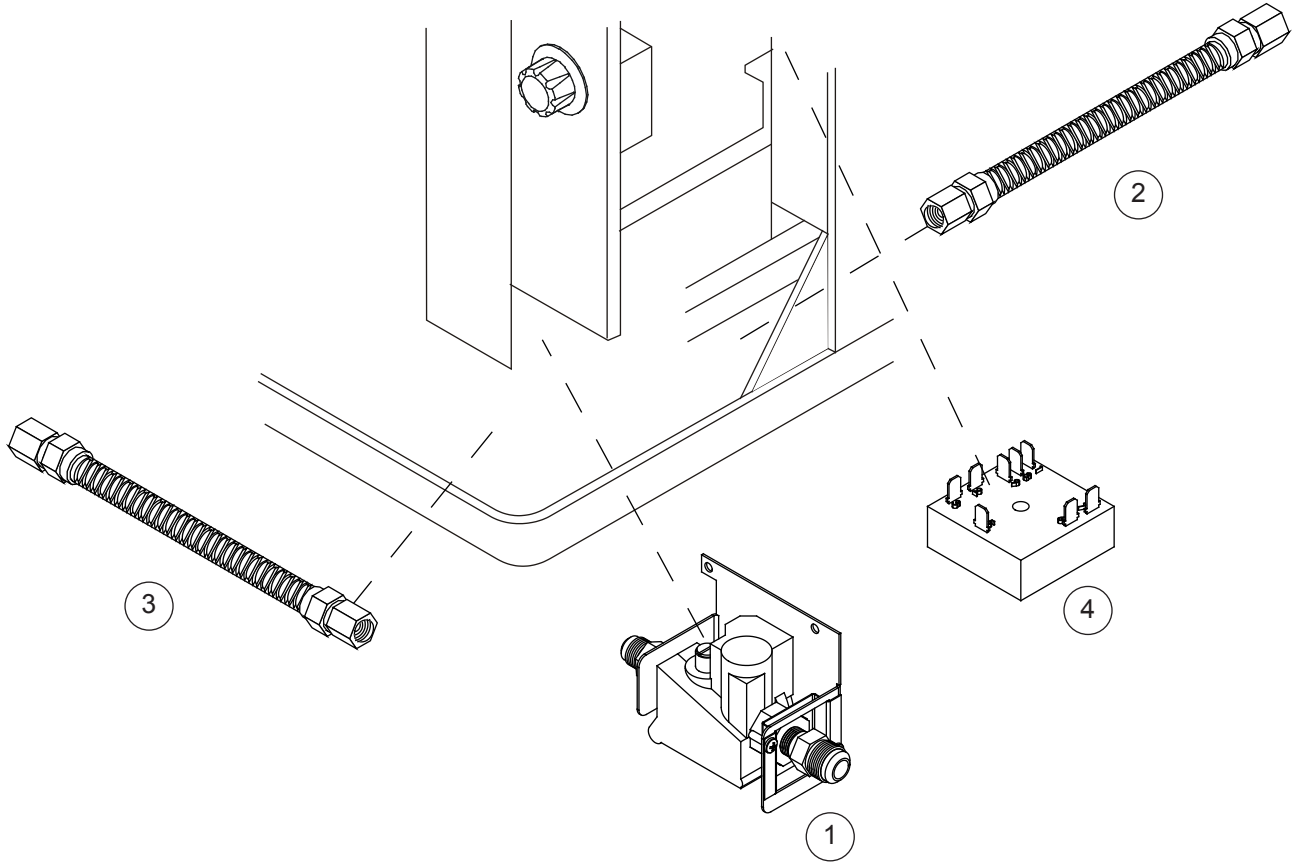
**NOTE:** 2 Burner Manifold no longer available.

# GAS STACK ASSEMBLY UNITS MADE AFTER 11-05-05



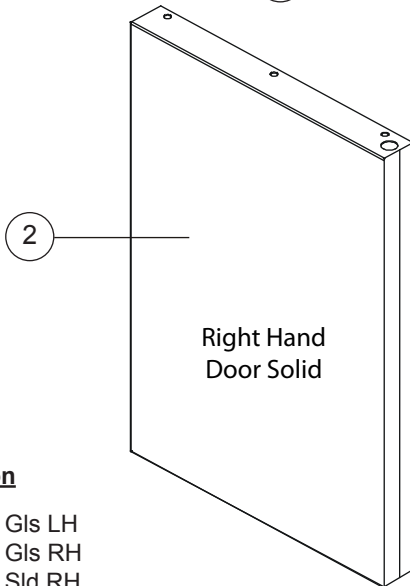
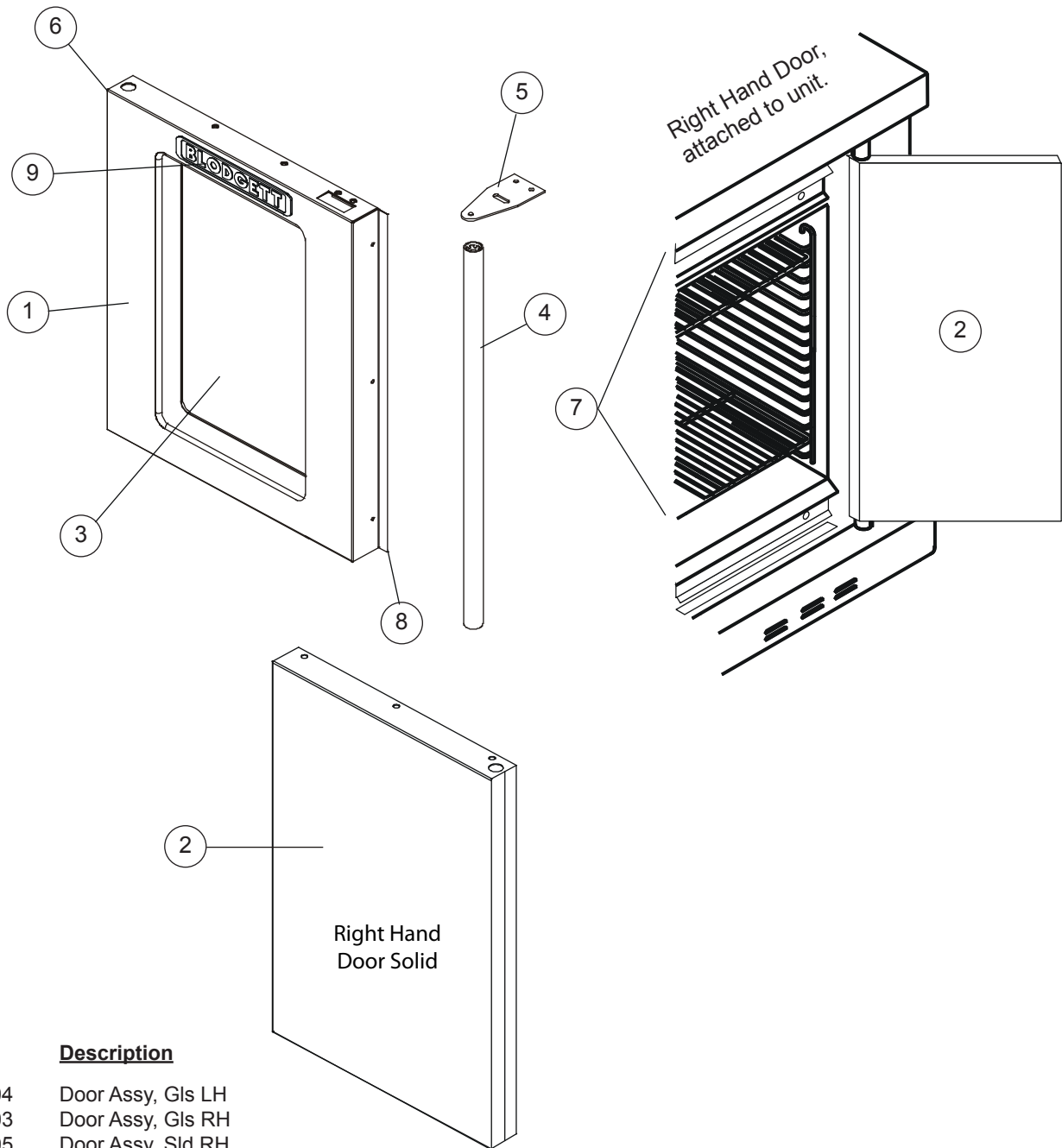
<b>Ref. No.</b>	<b>Part No.</b>	<b>Description</b>
1	30005	Dual Solenoid Valve/Pressure Regulator, 24V Nat.
1	30006	Dual Solenoid Valve/Pressure Regulator, 24V LP
	18242	Thru Pipe
2	33249	Flex Tubing, for Manifold
	18586	Pilot Tubing, Preformed
	10252	Union, 1/2"
	15871	Manifold Ass'y
	18257	Orifice, Pilot LP .011
	18263	Orifice, Pilot Nat .021
3	18584	Pilot Ass'y Nat
3	18585	Pilot Ass'y LP
4	18256	Flame Sensor Probe
	20357	Shield, Ignitor S/S

# GAS STACK ASSY UNITS MADE BEFORE 11-05-05



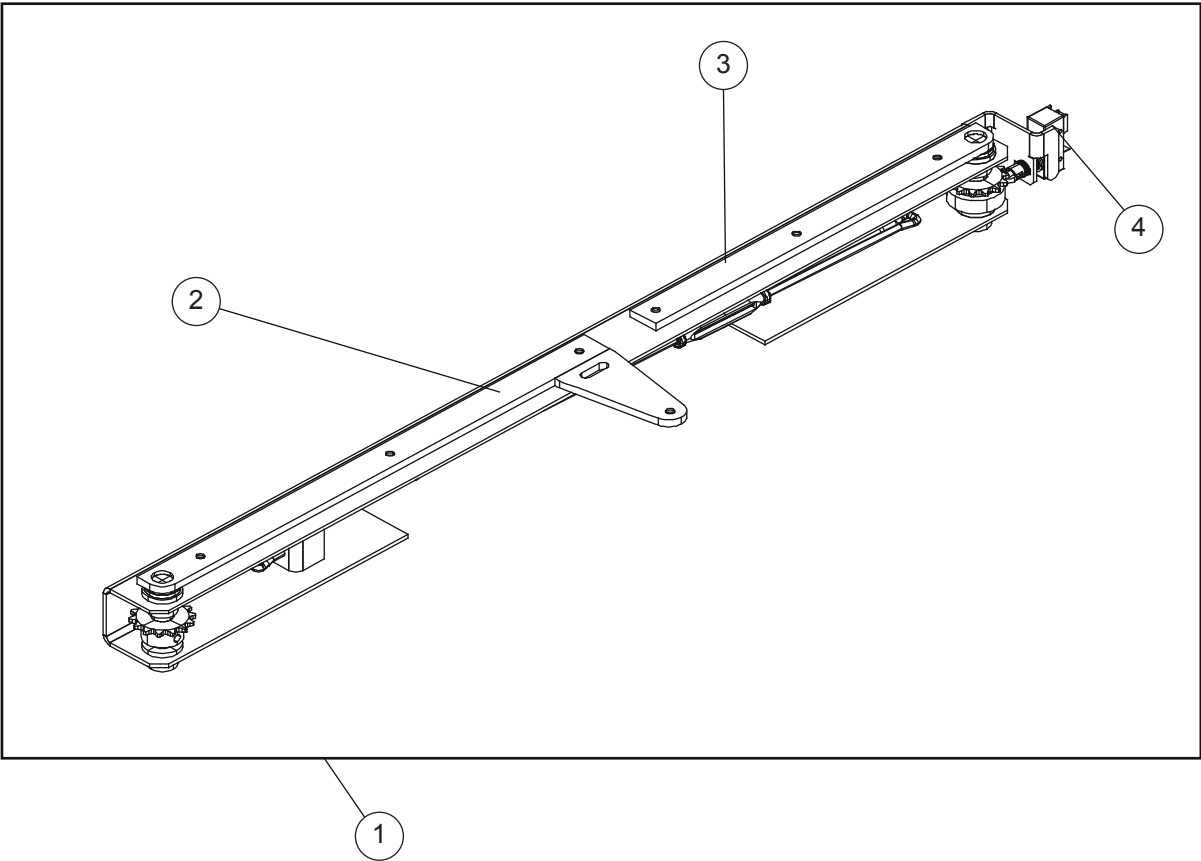
<b>Ref. No.</b>	<b>Part No.</b>	<b>Description</b>
1	37971	Gas Valve Assy NAT
1	37972	Gas Valve Assy LP
	36229	Flex Tubing with fittings, acts as thru pipe
3	33249	Flex Hose, connects to gas valve
4	37987	Timer, Delay (Before 11/09/04)
	37961	Harness, Timer w/ terminal block (terminal block cannot be purchased seperately)
4	38392	Timer, Delay (After 11/09/04)
	38428	Din rail (For mounting 38392 timer)
	M9422	Pressure Switch
	M9705	Pressure Tube (by the foot)
	37058	Relay, DPST 25A 24V

# DOOR COMPONENTS



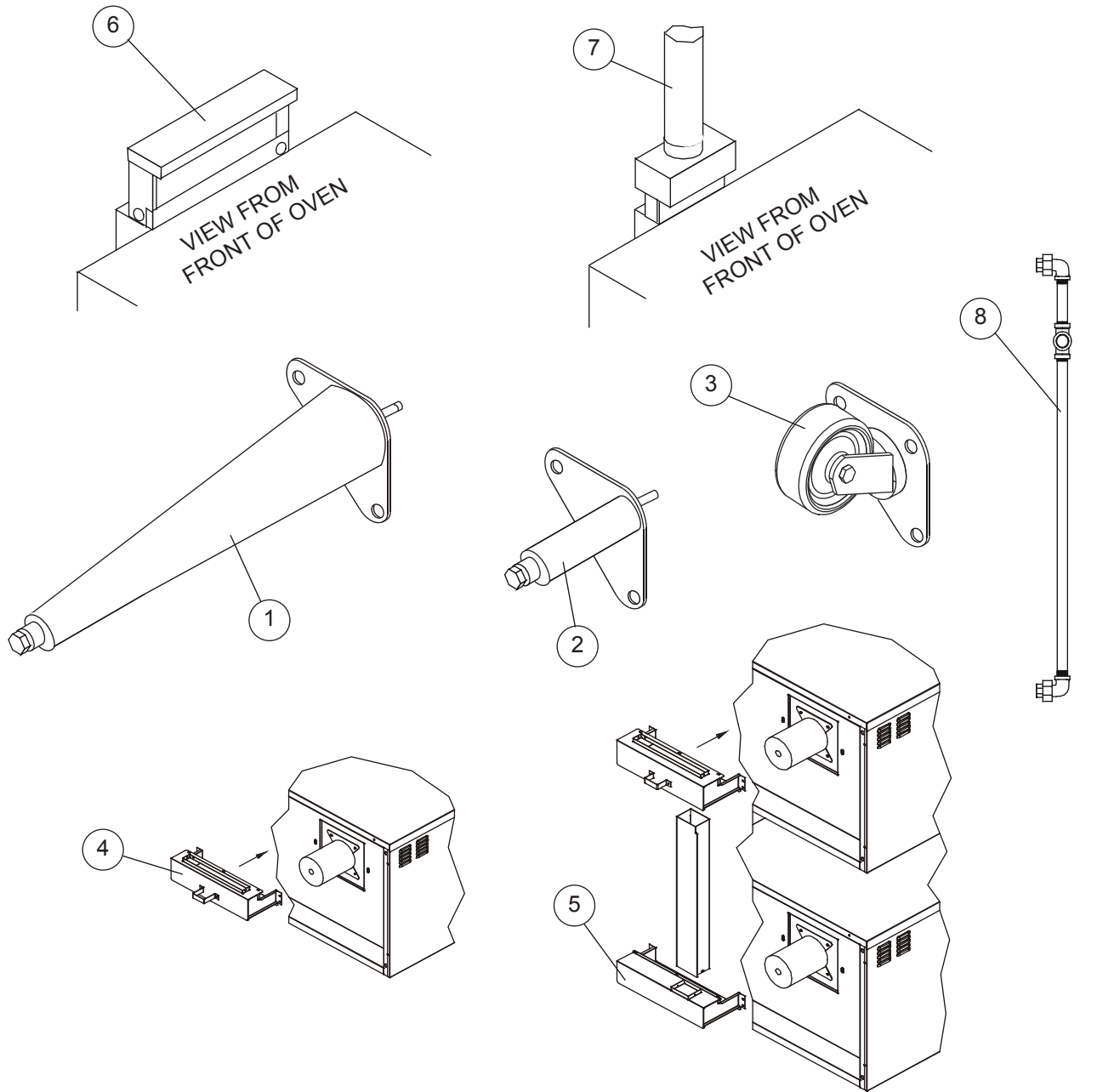
<b>Ref. No.</b>	<b>Part No.</b>	<b>Description</b>
1	20804	Door Assy, Gls LH
	20803	Door Assy, Gls RH
2	20805	Door Assy, Sld RH
	20806	Door Assy, Sld LH
3	9036	Window Assy, Drop In (10 1/8" X 17 1/8")
	9035	Window Tool, for installation and removal of window assy
4	21097	Door Handle, w/hardware
5	36793	Top Plate, for door handle mounting
6	90004	Bushings, Door Hinge Set of 2
	16657	Sleeve, Upper Door
	17557	Hinge Pin Kit, Upper Door Qty 2 per oven
	90004	Bearing, Set of 2
7	36876	Door Gasket Kit
8	16448	Pressure Lock (for latching) (attaches to front of door)
8	36606	Pressure Lock (attaches to side of door)
	17311	Center Door Trim (cover gap between closed doors)
9	16470	Nameplate
	35193	Microswitch

# LOWER DOOR SUPPORT COMPONENTS



Ref. No.	Part No.	<u>Description</u>
1	37003	Lower Door Support Assy
<b>NOTE:</b> Lower Door Support Assy includes the hinge pins, arms, chain & turnbuckles, sprocket assy, and cam assy.		
2	37002	Arm Assy, LH
3	90076	Arm Assy, RH
4	35193	Microswitch

# ACCESSORIES



Ref. No.	Part No.	Description
	33196	Seismic Legs, 6" Set of 4
1	8598	Legs, 25" w/feet Set of 4
2	8600	Legs, 6" Set of 4
	16002	Casters, for sgl oven
3	5779	Casters, Plate, for dbl oven
	19528	Casters, Low Profile, for dbl oven
4	20443	Flue Box, for sgl oven (11-05-05 and after)
	36870	Flue Box, for sgl oven (Before 11-05-05)
	17486	Flue Assy, for dbl oven (11-05-05 and after)
	36871	Flue Assy, for dbl oven (Before 11-05-05)
	37669	Flue Assy, for dbl oven ( For SHO oven made before 11-05-05 on a DFG100, MKV or SHO G made 11-05-05 or after)

Ref. No.	Part No.	Description
	36871	Flue Assy, for dbl oven (DFG 1XL on SHO made before 11-05-05)
	37721	Flue Assy, for dbl oven( DFG 1XL on SHO made 11-05-05 or after)
6	7840	Draft Diverter, Canopy vent ( 11-5-05 and after)
6	20447	Draft Diverter, Canopy vent (Before 11-05-05)
7	7839	Drafhood, Direct vent (11-05-05 and after)
7	8709	Drafhood, Direct vent (Before 11-05-05)
8	35048	Backpipe, Dbl
	38080	Backsheet
	11416	Open Stand w/casters
	6486	Open Stand w/feet