



**ZEPHAIRE 240G PLUS
GAS CONVECTION OVEN
REPLACEMENT PARTS LIST**



EFFECTIVE JULY 11, 2011

BLODGETT OVEN COMPANY

44 Lakeside Avenue, Burlington, Vermont 05401 USA

Telephone: 658-6600 Fax: (802) 860-3732

www.blodgett.com

P/N 52997

Superseding All Previous Parts Lists.

The Company reserves the right to make substitution in the event that items specified are not available.

ERRORS: Descriptive and/or typographic errors are subject to correction.

www.blodgett.com

SERIAL NUMBER LOCATION / KEY:

IMPORTANT: When ordering parts, please provide the model, gas type and serial number of the oven. The identification plate is located on the left side of the combustion compartment and also above the control panel under the ledge.

- ☑ ASAP Distributor Required Stocking Parts
- ◆ Doors Are Not Returnable
- * Item Is Too Large For UPS

SERIAL NUMBER IDENTIFICATION CODE:

ZG = ZEPHAIRE 240G PLUS

SERIAL NUMBER EXAMPLES

092009ZG001T

09/20/09 = DATE

ZG = LETTER CODE FOR ZEPHAIRE 240G PLUS

001 = FACTORY SEQUENCE

T = TOP OVEN

TO OBTAIN LITERATURE:

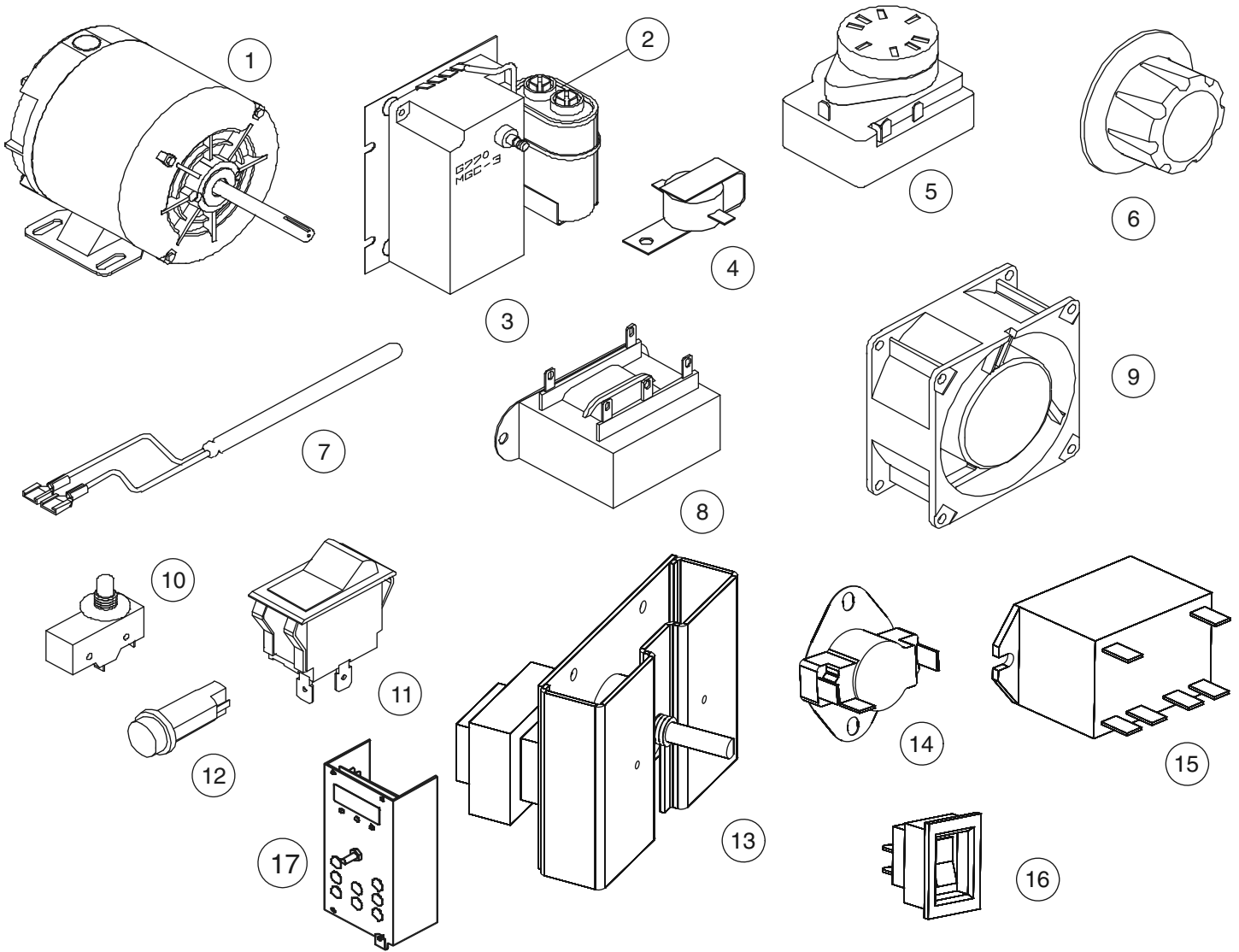
Blodgett Literature Department

Email: literature@blodgett.com

or

www.blodgett.com

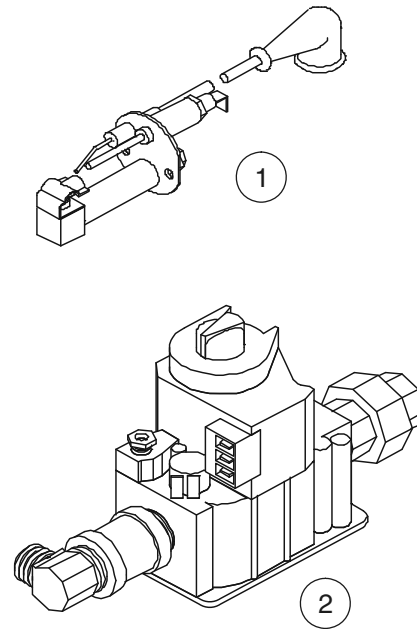
ELECTRICAL COMPONENTS



<u>Ref. No.</u>	<u>Part No.</u>	<u>Description</u>	<u>Ref. No.</u>	<u>Part No.</u>	<u>Description</u>
1	32291	Motor, 115V, 1 PH, 1/3 HP, 2 SP	12	18265	Indicator Light, 28V, Red, Round
	20065	Conduit Assy., Motor 2 SP	13	33152	Temperature Controller
	23077	Capacitor, Motor 2 SP	14	36755	Switch, Thermal Cooling
2	20348	Spark Box Assy, LP & Nat (G770MGC-Blue)	15	37058	Relay, 24V
3	20349	Buzzer, 120V	16	36376	Gas Switch
4	18225	Timer, 60 Minute, 120V, 60 HZ		4342	Lamp
5	16686	Knob, Timer		4922	Socket, Lamp
6	16686	Knob, Thermostat		15891	Tube Assy, for lamp
7	18588	Probe, Temperature		5091	Cord Set Assy
8	20355	Transformer, 115V to 24V	17	30658	SSD Time/Temp Controller
9	22301	Axial Fan, 115 V			
10	35702	Microswitch Kit (Replaces 19978)			
	35419	Bracket Assy., Microswitch			
11	6502	Cool Down Switch, Rocker DPDT Red			
	7636	Blower Switch, Rocker 3PDT Black 2 SP			
11	16530	Light Switch, Rocker DPST white			

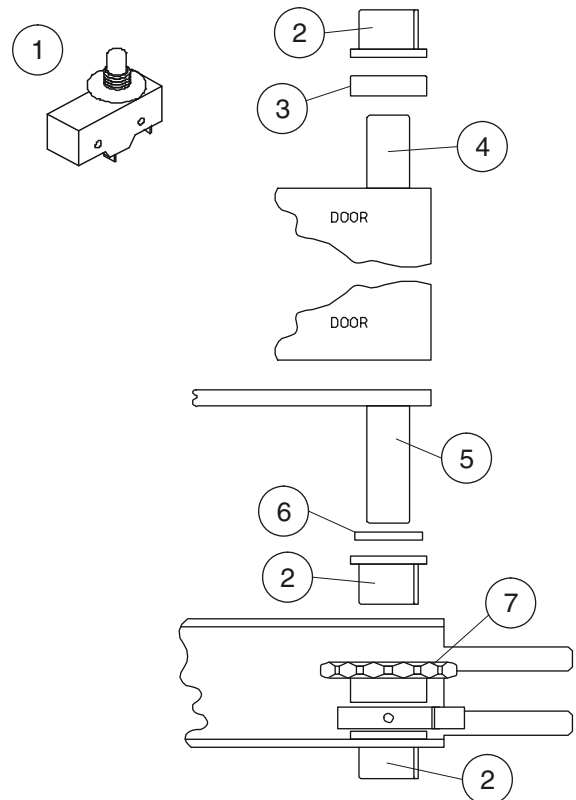
BURNER & PIPING ASSEMBLY

Ref. No.	Part No.	Description
	18799	Steel Tube Burner Assy. (Set of 2)
	8717	Orifice, Main Burner (Specify Model & Gas Type) (Set of 2)
	90063	Air Shutter Only
	3001	Locknut, Air Shutter
	15871	Manifold Assy.
	33249	Tubing, Manifold Assy.
	4872	Manifold Plug
1	18584	Pilot Burner Assy., Complete Nat
1	18585	Pilot Burner Assy., Complete LP
	18263	Orifice, Pilot Burner, Nat
	18257	Orifice, Pilot Burner, LP
	18586	Pilot Tubing Assy.
2	30005	Dual Solenoid/Pressure Reg, Nat 24V
2	30006	Dual Solenoid/Pressure Reg, LP 24V
	21079	Air Duct Assy. (Set of 2)
	17861	Deflector Assy.
	18256	Flame Sensor Probe
	19677	Wire, Flame Sensor
	21242	Flex Gas Hose, 48"
	21826	Flex Gas Hose, 36"



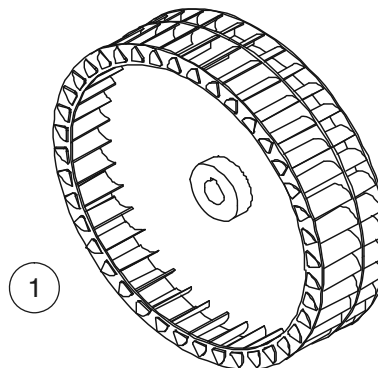
DEPENDENT DOOR COMPONENTS

Ref. No.	Part No.	Description
	◆ 20806	Door Assy, Solid LH
	◆ 20805	Door Assy, Solid RH
	◆ 20804	Door Assy, Glass LH
	◆ 20803	Door Assy, Glass RH
1	35702	Microswitch Kit (Replaces 19978)
1	35419	Bracket Assy, Microswitch (Replaces 21081)
2	90004	Bushings, Door Hinge (Set of 2)
3	16657	Sleeve, Upper Door Bushing
4	17557	Hinge Pin, Upper Door
5	20359	Arm Assy, LH Door
5	90076	Arm Assy, RH Door
6	90017	Washers, Door (Set of 2)
7	90074	Sprocket Assy
	9036	Window Assy, Drop In (10-1/8" x 17-1/8")
	17558	Handle, Porcelain Door
	18081	Top Plate, Door Handle
	4887	Chain & Turnbuckles, Door Operating
	17311	Trim, Center Door
	36606	Pressure Lock
	36876	Gasket Assy., Perimeter
	35807	Support Assy, Lower Door, Complete



INTERIOR COMPONENTS

<u>Ref. No.</u>	<u>Part No.</u>	<u>Description</u>
	20758	Liner Baffle, Porcelain
1	15853	Blower Wheel Assy. 10 3/4"
	33939	Clip, Thermostat Bulb
	18768	Rack, Oven (20-7/8" x 28-3/16")
	19081	Rack Support (Set of 2)
	8646	Support Assy., Baffle (Set of 4)
	90027	Motor Mount & Panel Assy.



EXTERIOR COMPONENTS

<u>Ref. No.</u>	<u>Part No.</u>	<u>Description</u>
	17858	Combustion Cover Assy.
	20443	Flue Box (Sgl Oven)
	17486	Flue Assy., Stacking (3 Piece)
	35048	Backpipe Assy. (Dbl Oven)
	7839	Drafthood, Direct Venting, S/S
	7840	Draft Diverter, Canopy Vent, S/S
	34568	Back Panel, S/S
	36407	Bodyside, RH S/S
	37205	Bodyside, LH S/S
	38991	Bodytop, S/S
	8600	Legs, 6" w/ Bolts, S/S (Set of 4)
	8598	Legs, 25" w/ Bolts, S/S (Set of 4)
	7847	Leg Bolts (Set of 8)
	92000	Leg Studs (Set of 4)
	6486	Open Stand 25" w/ Feet, S/S
	11416	Open Stand 25" w/ Casters, S/S
	16002	Caster Kit, Sgl Oven (Set of 4)
	5779	Caster Kit, Dbl Oven (Set of 4)
	19528	Caster Kit, Low Profile (Set of 4)
	31803	Clips, Dbl Stacking (Set of 2)

ROLL-IN UNITS

<u>Ref. No.</u>	<u>Part No.</u>	<u>Description</u>
	20517	Docking Plate Assy.
	8355	Docking Pins, Transport Cart
	8356	5" Casters, Transport Cart
	9052	Handle, Transport Cart (Sgl Oven)
	8359	Catch Mechanism, Transport Cart
	8357	Locking Bar, Transport Cart
	8358	Tracks & Shelf Assy., Transport Cart
	9015	Handle, Transport Cart (Dbl Oven)
	7931	Vertical Posts (Each)
	19782	Track, LH
	18031	Track, RH
	21089	Rack Stop, S/S
	7689	Transport Cart, CTRG
	8626	Transport Cart, CTRG-2
	7969	Roll-In Basket Dolly, DBRI-S
	23582	Roll-In Pan Rack, RPR-S9 (w/ 5 Racks)
	8677	Racks for Pan Rack, S9 (19" x 26")