



ZEPHAIRE G GAS CONVECTION OVENS REPLACEMENT PARTS LIST



EFFECTIVE JANUARY 18, 2012

Superseding All Previous Parts Lists.

The Company reserves the right to make substitution in the event that items specified are not available.

ERRORS: Descriptive and/or typographic errors are subject to correction.

BLODGETT OVEN COMPANY

44 Lakeside Avenue, Burlington, Vermont 05401 USA Telephone: (802) 658-6600 Fax: (802) 860-3732
www.blodgett.com

P/N 54806 Rev C

IMPORTANT: When ordering parts, please provide the model, gas type and serial number of the oven. The identification plate is located on the left side of the combustion compartment and, also, above the control panel under the ledge.

☑ ASAP Distributor Required Stocking Parts
 ◆ Doors Are Not Returnable
 * Item Is Too Large For UPS

ELECTRICAL COMPONENTS

(MECHANICAL CONTROLS, PRIOR TO 07/12/93)

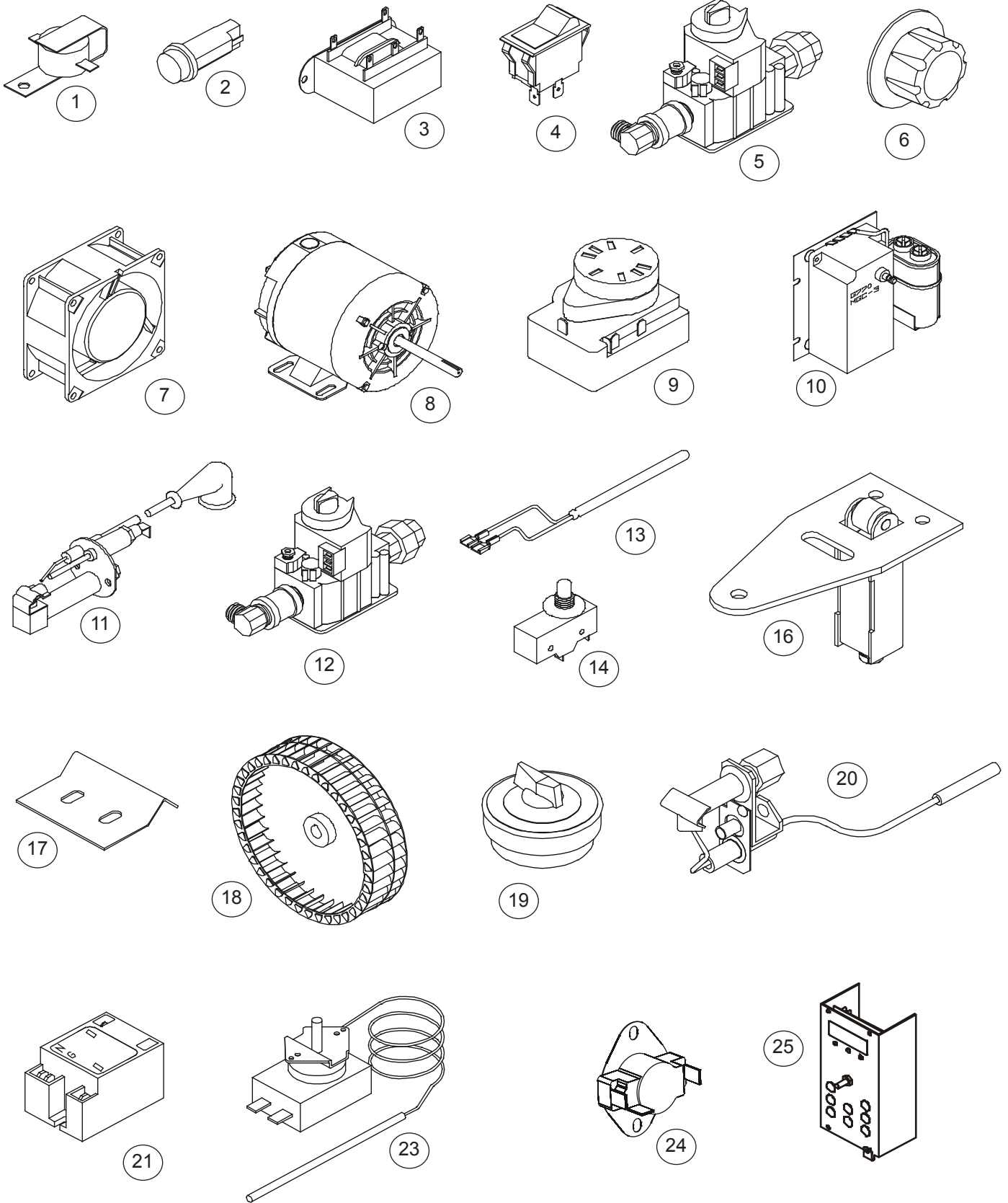
Ref. No.	Part No.	Description
8	32232	Motor, 115V, 1 PH, 1/3 HP, 1 SP
8	32291	Motor, 115V, 1 PH, 1/3 HP, 2 SP
	20362	Conduit Assy., Motor 1 SP
	20349	Buzzer, 120V
19	5147	Timer, 60 Minute Mechanical, w/bell
	15956	Timer, for Buzzer
	16030	Knob, Timer
23	16536	Thermostat, KX-234-36
	16393	Dial, Thermostat
	21082	Bracket Assy., Thermostat
	20195	Gauge, Spark Gap
	35702	Microswitch Kit
	35419	Bracket Assy., Microswitch
	5091	Cord Set Assembly
	6502	Cool Down Switch, Rocker DPDT Red
	6500	Blower Switch, Rocker DPST Blue
	6497	Light Switch, Rocker SPST White
	15673	Indicator Light, 125V, Red, Round
	4342	Lamp
	4922	Socket, Lamp
	15891	Tube Assy, for lamp

ELECTRICAL COMPONENTS

(SOLID STATE CONTROLS, AFTER 07/12/93)

Ref. No.	Part No.	Description
8	32232	Motor, 115V, 1 PH, 1/3 HP, 1 SP
	32291	Motor, 115V, 1 PH, 1/3 HP, 2 SP
	23077	Capacitor, Motor 2 SP
	20362	Conduit Assy., Motor 1 SP
	20065	Conduit Assy., Motor 2 SP
1	20349	Buzzer, 120V
9	18225	Timer, 60 Minute, 120V, 60 HZ
6	16686	Knob, Timer
	33152	Temperature Controller w/ Potentiometer
25	30658	SSD Time/Temp Controller
13	18588	Probe, Temperature
	16686	Knob, Thermostat
3	20355	Transformer, 115V to 24V
10	20348	Spark Box Assy, LP & Nat (G770MGC-Blue)
7	21134	Axial Fan, Low Velocity, 115 V, 60HZ (Qty 2)
	22301	Axial Fan, 120V, 4" (qty 1)
14	35702	Microswitch Kit (Replaces 19978)
	35419	Bracket Assy., Microswitch
	5091	Cord Set Assy
4	6502	Cool Down Switch, Rocker DPDT Red
4	6500	Blower Switch, Rocker DPST Blue 1 SP
	7636	Blower Switch, Rocker 3PDT Black 2 SP
4	16530	Light Switch, White Momentary
2	18265	Indicator Light, 28V, Red, Round
	4342	Lamp
	4922	Socket, Lamp
	15891	Tube Assy, for lamp
24	36755	Switch, Thermal Cooking

MISC. COMPONENTS



BURNER & PIPING ASSEMBLY

(MECHANICAL CONTROLS)

Ref. No.	Part No.	Description
	18799	Steel Tube Burner Assy. (Set of 2)
	8717	Orifice, Main Burner (Specify Model & Gas Type) (Set of 2)
	90063	Air Shutter Only
	3001	Locknut, Air Shutter
	15871	Manifold Assy.
	21070	Tubing, Manifold Assy.
	4872	Manifold Plug
	15963	Coupling, Reducer 3/4" to 1/2"
21	21080	Spark Module Assy (White)
20	21071	Pilot Burner Assy., Nat
20	21072	Pilot Burner Assy., LP
	20589	Orifice, Pilot Burner, Nat
	20193	Orifice, Pilot Burner, LP
	18586	Pilot Tubing Assy.
	21075	Bracket Assy., Pilot, Nat
12	30218	Dual Solenoid/Pressure Reg, Nat. 120V
12	30219	Dual Solenoid/Pressure Reg, LP 120V
	21084	Conv. Kit, LP to Nat (Before 7/12/93) (Robert Shaw Ignition & Johnson Gas Valve)
	21083	Conv. Kit, Nat to LP (Before 7/12/93) (Robert Shaw Ignition & Johnson Gas Valve)
	30402	Conv. Kit, LP to Nat (7/12/93 thru 9/29/93) (Robert Shaw Ignition & Honeywell Valve)
	30398	Conv. Kit, Nat to LP (7/12/93 thru 9/29/93) (Robert Shaw Ignition & Honeywell Valve)
	20373	Thru Pipe Assy.
	21078	Secondary Air Duct Assy.
	21079	Air Duct Assy. (Set of 2)
	17861	Deflector Assy.

BURNER & PIPING ASSEMBLY

(SOLID STATE CONTROLS)

Ref. No.	Part No.	Description
	18799	Steel Tube Burner Assy. (Set of 2)
	8717	Orifice, Main Burner (Specify Model & Gas Type) (Set of 2)
	90063	Air Shutter Only
	3001	Locknut, Air Shutter
	15871	Manifold Assy.
	21070	Tubing, Manifold Assy.
	4872	Manifold Plug
	15963	Coupling, Reducer 3/4" to 1/2"
11	18584	Pilot Burner Assy., Complete Nat
11	18585	Pilot Burner Assy., Complete LP
	18263	Orifice, Pilot Burner, Nat
	18257	Orifice, Pilot Burner, LP
	18586	Pilot Tubing Assy.
5	30005	Dual Solenoid/Pressure Reg, Nat 24V
5	30006	Dual Solenoid/Pressure Reg, LP 24V
	30514	Conv. Kit, LP to Nat (Johnson Control Ignition & Honeywell Valve)
	30399	Conv. Kit, Nat to LP (Johnson Control Ignition & Honeywell Valve)
	21079	Air Duct Assy. (Set of 2)
	17364	Deflector Assy.
	18256	Flame Sensor Probe
	19677	Wire, Flame Sensor

INTERIOR COMPONENTS

Ref. No.	Part No.	Description
	20864	Liner Baffle, Stainless Steel
	20758	Liner Baffle, Porcelain
	21085	Liner Bottom, Aluminized
	21560	Liner Bottom, Porcelain
18	15853	Blower Wheel Assy. 10 3/4"
	20376	Collector Assy., Heat Lower
	20353	Clip, Thermostat Bulb
	20246	Rack, Oven (27-7/8" x 28-3/16")
	21422	Rack Support (Set of 2)
	21086	Rack Stop (Set of 2)
	8646	Support Assy., Baffle (Set of 4)
	90027	Motor Mount & Panel Assy.
	19640	Baffle Screen Assy.

INDEPENDENT DOOR COMPONENTS

(2 DOOR HANDLES)

Ref. No.	Part No.	Description
◆	21090	Door Assy, Solid LH
◆	21091	Door Assy, Solid RH
◆	21557	Door Assy, Glass LH
◆	21558	Door Assy, Glass RH
◆	35580	Door Conversion Kit, Independent to Dependent, Glass
◆	35579	Door Conversion Kit, Independent to Dependent, Solid
NOTE: Lower door pins no longer come with the door assemblies. The pins must be ordered separately.		
	9036	Glass Assy (10-1/8" x 17-1/8")
	21097	Door Handle Assy
	21099	Handle Bracket, Bottom
16	21098	Catch Assy, Roller (On Top of Door)
17	21100	Striker Plate (On Oven)
	17519	Gasket, Perimeter Door
	23120	Gasket, Center Door (3 Piece)
	21092	Door Stop Bushing w/ Pin
	16657	Upper Bushing Sleeve
	15932	Bearing, Flanged
	21094	Door Pin, Upper Assy
	21095	Door Pin, Lower Assy (Before 12/02/93)
	30654	Door Pin, Lower Assy (After 12/02/93)
	21096	Door Pins, Upper & Lower (Set of 4) (Before 12/02/93)
	30653	Door Pins, Upper & Lower (Set of 4) (After 12/02/93)
	30655	Bearing, Door Hinge (Set of 2) (After 12/02/93)
	90053	Door Switch Cam Assy (Before 12/02/93)
	30652	Door Switch Cam Assy (After 12/02/93)

DEPENDENT DOOR COMPONENTS

(1 DOOR HANDLE)

Ref. No.	Part No.	Description
◆	20806	Door Assy, Solid LH
◆	20805	Door Assy, Solid RH
◆	20804	Door Assy, Glass LH
◆	20803	Door Assy, Glass RH
◆	35580	Door Conversion Kit, Independent to Dependent, Glass
◆	35579	Door Conversion Kit, Independent to Dependent, Solid
	9036	Window Assy, Drop In (10-1/8" x 17-1/8")
	17558	Handle, Porcelain Door
	18081	Top Plate, Door Handle
	4887	Chain & Turnbuckles, Door Operating Sprocket Assy
	90074	Washers, Door (Set of 2)
	90017	Bushings, Door Hinge (Set of 2)
	90004	Sleeve, Upper Door Bushing
	16657	Hinge Pin, Upper Door
14	17557	Microswitch Kit (Replaces 19978)
	35702	Bracket Assy, Microswitch (Replaces 21081)
	35419	Cam Assy, Door Switch
	90077	Trim, Center Door
	17311	Pressure Lock (Attaches to front of door)
	16448	Pressure Lock (Attaches to side of door)
	36606	Gasket Assy., Perimeter (Before 12/01/2005)
	17519	Gasket Assy., Perimeter (After 12/01/2005)
	36876	Arm Assy, LH Door
	20359	Arm Assy, RH Door
	90076	Support Assy, Lower Door (Before 1/1/2004)
	20659	Support Assy, Lower Door (After 1/1/2004)
	36037	

EXCLUSIVE TO SPRTIZER

Ref. No.	Part No.	Description
	18308	Thru Pipe & Nozzle
	18314	Thermal Switch SPNO
	30283	Water Filter
	18580	Pushbutton Switch
	30865	Water Valve, 115V
	18266	Indicator Light Blue, 115V
	30277	Water Valve, 240V
	18267	Indicator Light Blue, 250V

EXTERIOR COMPONENTS

<u>Ref. No.</u>	<u>Part No.</u>	<u>Description</u>
	23190	Crown Assy. (After 12/02/93)
	31023	Control Panel & Decal w/o Lights (S.S)
	31025	Control Panel & Decal w/Lights (S.S)
	20757	Access Panel Assy., 4"x4" (Gas Valve)
	21102	Combustion Cover Assy. (Before 12/02/93)
	17361	Combustion Cover Assy. (After 12/02/93)
	21103	Nameplate, Zephaire 4-5/8" (Before 12/89)
	23295	Nameplate, Blodgett/Zephaire 7-15/16" (After 12/89)
	21104	Flue Box (Sgl Oven)
	21107	Flue Assy., Stacking (3 Piece)
	35048	Backpipe Assy. (Dbl Oven) (Replaces number 17880)
	7839	Draffhood, Direct Venting, S/S (Sgl Oven)
	21108	Draffhood, Direct Venting, S/S (Dbl Oven)
	7840	Draft Diverter, Canopy Vent, S/S (Sgl Oven)
	20447	Draft Diverter, Canopy Vent, S/S (Dbl Oven)
	21835	Back Panel, S/S (Before 02/23/99, S.N. 022399YA005S)
	34761	Back Panel, S/S (After 02/23/99, S.N. 022399YA005S)
	34570	Bodyside, RH S/S (Prior to 11-21-05)
	34571	Bodyside, LH S/S (Prior to 11-21-05)
NOTE:		The bodysides 34570 & 34571 replace part #17363 & #15994.
	36407	Bodyside, RH S/S (11-21-05 and after)
	37205	Bodyside, LH S/S (11-21-05 and after)
	20223	Bodytop, S/S
	8600	Legs, 6" w/ Bolts, S/S (Set of 4)
	8598	Legs, 25" w/ Bolts, S/S (Set of 4)
	7847	Leg Bolts (Set of 8)
	92000	Leg Studs (Set of 4)
	21053	Open Stand 25" w/ Feet, S/S
	20878	Open Stand 25" w/ Casters, S/S
	16002	Caster Kit, Sgl Oven (Set of 4)
	5779	Caster Kit, Dbl Oven (Set of 4)
	19528	Caster Kit, Low Profile (Set of 4)
	31013	Caster Kit, Heavy Duty Low Profile (Set of 4)
	31803	Clips, Dbl Stacking (Set of 2)

ROLL-IN UNITS

<u>Ref. No.</u>	<u>Part No.</u>	<u>Description</u>
	20517	Docking Plate Assy.
	8355	Docking Pins, Transport Cart
	8356	5" Casters, Transport Cart
	9052	Handle, Transport Cart (Sgl Oven)
	8359	Catch Mechanism, Transport Cart
	8357	Locking Bar, Transport Cart
	8358	Tracks & Shelf Assy., Transport Cart
	9015	Handle, Transport Cart (Dbl Oven)
	7931	Vertical Posts (Each)
	51659	Track, LH w/screws
	51660	Track, RH w/screws
	21089	Rack Stop, S/S
	7689	Transport Cart, CTRG
	8626	Transport Cart, CTRG-2
	7365	Roll-In Basket Dolly, DBRI-L
	11206	Roll-In Pan Rack, RPR-L9 (w/ 5 Racks)
	7590	Racks for Pan Rack, L9 (26" x 26")

EXCLUSIVE TO EXPORT

<u>Ref. No.</u>	<u>Part No.</u>	<u>Description</u>
	21430	Axial Fan, 3", 230V Qty 2 per oven CE
	23034	Axial Fan, 4", 230V Qty 1
	33094	Block, Terminal 4 Pole CE
	32529	Thru Pipe Assy. CE
	34906	Manifold Assy (w/pressure tap) CE
	34974	Conversion Kit, Air Pressure Differential Switch CE Before 03/26/99 or S.N. 032699YA019S
	M9422	Air Pressure Differential Switch, switch only CE
	M9705	Polyurethane Tubing (Per Foot, Total 3 FT) used w/pressure switch CE
	53010	Noise Filter
	M3172	Timer, Fixed, 2 Second
	16539	Indicator Light, 250V, Amber, Round
	30517	Switch, Rocker DPST, Black
	36066	Thermostat, High Limit Kit (Manual Reset) CE
	16037	Indicator Light, 250V, Red, Round
	M9182	Dual Solenoid/Pres Reg, 240V
	20084	Timer, 60 Min.
	31023	Control Panel & Decal w/o Lights (Export)
	34530	Pilot Burner & Ignitor Assy, Nat CE
	34531	Pilot Burner & Ignitor Assy, LP/But CE
	31025	Control Panel & Decal w/lights export
	33120	Decal, control CE