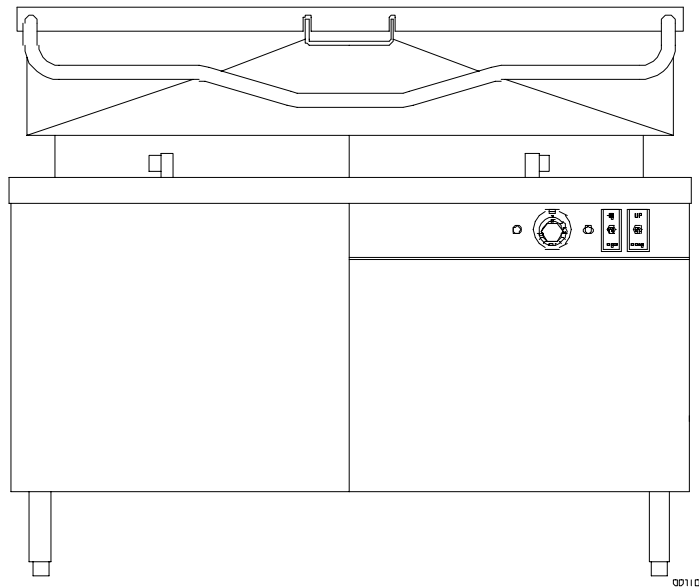




PARTS LIST
ELECTRIC MODULAR SKILLETS
BLODGETT MODELS: BCH-30E
BCH-40E



Revised April 6, 2007

BLODGETT OVEN CO ▪ 44 lakeside Ave ▪ Burlington, VT 05446
Tel. 800-331-5842 ▪ Fax 802-860-3732 ▪ www.blodgett.com

FIGURE 1

<u>ITEM</u>	<u>Part No.</u>	<u>DESCRIPTION</u>	<u>QUANTITY</u>	
			<u>30</u>	<u>40</u>
1	41308	Pan Cover	1	
	41309	Pan Cover		1
2	42224	Pour Lip Strainer	1	1
3	42480	Tilt Bracket	2	2
4	40452	Bushing	2	2
5	40347	Left Hand Door	1	
	40380	Left Hand Door		1
*	41140	Magnetic Catch	2	2
6	42372	Actuator Rod 18"	1	1
7	42374	Actuator Rod Guide	1	1
8	42294	Lock Collar	2	2
9	42377	Spring	1	1
10	40936	Limit Switch	1	1
11	40487	Limit Switch Bracket	1	1
12	42363	Control Panel Decal	1	
	42364	Control Panel Decal		1
13	40951	Pilot Light - Red	1	1
14	41005	Thermostat	1	1
15	40994	Bezel	1	1
**	41006	Dial	1	1
*	40849	Dial (C)	1	1
*	40848	Dial (F)	1	1
17	41883	Power Switch	1	1
18	41884	Up/Down Switch	1	1
19	40949	Pilot Light - Amber	1	1
20	43373	Panel Sub Assembly	1	1
21	40840	Ground Lug	1	1

PARTS LIST, ELECTRIC MODULAR UNITS, MODELS BCH-30, BCH-40

ITEM	Part No.	DESCRIPTION	QUANTITY		
			30	40	
	22	41004	High Limit Thermostat	1	1
**	23	40941	Contactor 208V	2	2
		40941	Contactor 240/380/415/480V, 600V	2	2
	24	40734	Terminal Block Section (220/380V, 240/415V)	4	4
		40734	Terminal Block Section, (208, 220, 240, 380, 415, 480, 600V)	3	3
		40733	End Section	1	1
	25	43374	Component Box Cover	1	1
	26	40373	Right Door	1	
		40381	Right Hand Door		1
	27	42476	Side Panel	2	2
	28	40277	Element Enclosure box	1	
		42476	Element Enclosure Box		1
	29	40183	Box Cover	1	
		40184	Box Cover		1
	30	41543	Lock Pin	2	2
	31	41546	End Lock Plate	2	2
	32	43106	Stationary Disc	2	2
	33	41100	Core	2	2
	34	41526	Spring	2	2
	35	43107	Rotary Disc	2	2
	36	41520	End Stop Plate	2	2
	37	40098	Cap Screws 1/4 - 20 x 3/4	8	8
	38	43299	Hinge Support Assembly	2	
		43300	Hinge Support Assembly		2
	39	41165	Right Hand Element Insulation Cover	1	
		40223	Right Hand Element Insulation Cover		1
	40	41166	Left Hand Element Insulation Cover	1	
		43375	Left Hand Element Insulation Cover		1

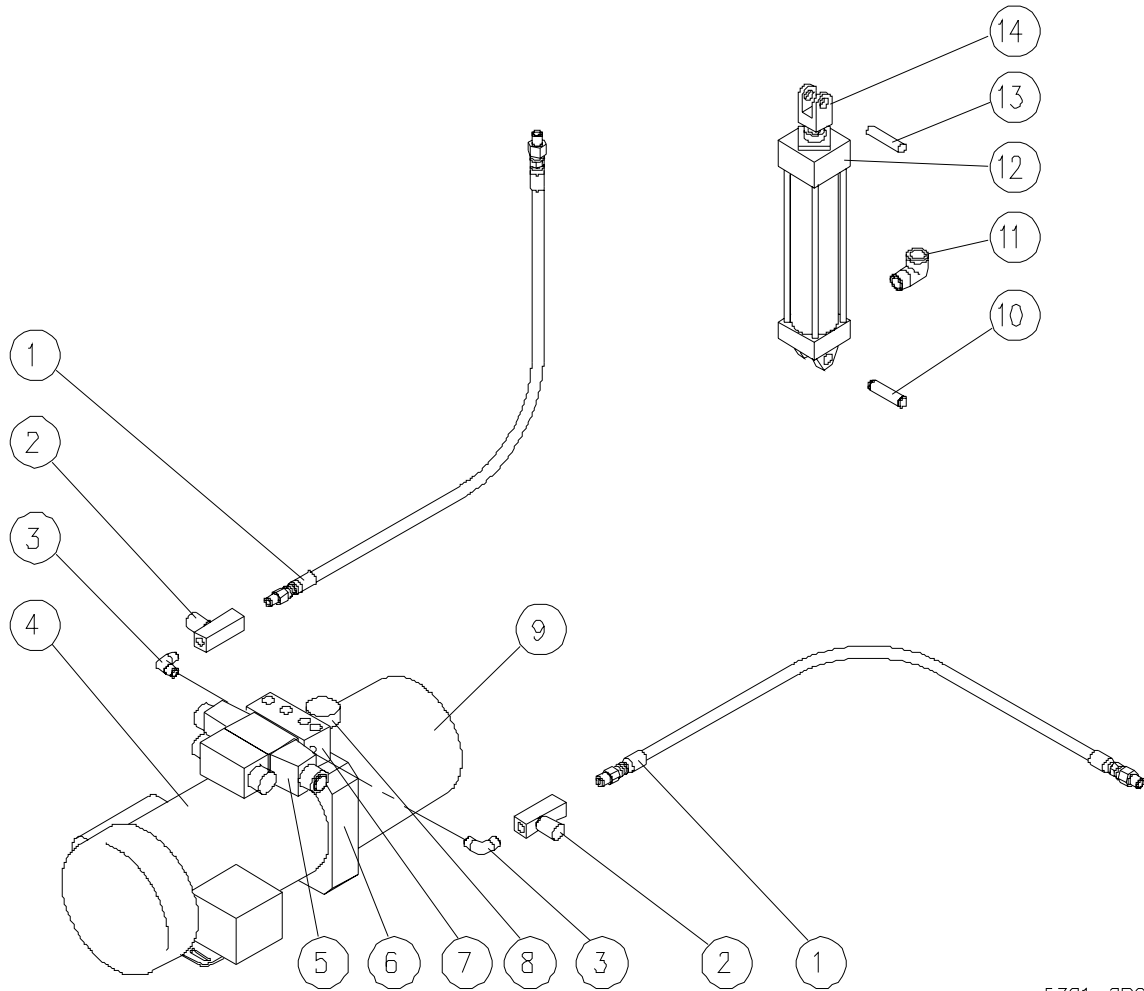
<u>ITEM</u>	<u>Part No.</u>	<u>DESCRIPTION</u>	<u>QUANTITY</u>		
			<u>30</u>	<u>40</u>	
	41	40428	Thermostat Bulb Enclosure	1	1
	42	43178	Element Clamp	9	
		40185	Element Clamp		9
**	43	41945	Element 208V, 4 kW	3	
		41946	Element 277V, 4 kW, (480V)	3	
		41947	Element 220V, 4 kW, (220/380V)	3	
		41948	Element 347V, 4 kW (600V)	3	
		41949	Element 240V, 4 kW (240/415V)	3	
		41949	Element 208V, 5 kW		3
		42280	Element 240V, 5 kW, (240/415V)		3
		42273	Element 220V, 5 kW, (220/380V)		3
		42274	Element 277V, 5 kW, (480V)		3
		42279	Element 347V, 5 kW, (600V)		3
		42272	Element 208V, 6 kW, (Optional)		3
**	43	42275	Element 240V, 6 kW, (240/415V), (Optional)		3
		42276	Element 220V, 6 kW (220/380V), (Optional)		3
		42277	Element 277V, 6 kW, (480V), (Optional)		3
		42278	Element 347V, 6 kW (600V), (Optional)		3
* **	44	41767	Fuse 3 A, 600V, (380, 415, 480V), (Optional)	2	2
* **	45	41769	Fuse Holder, (380, 415, 480V), (Optional)	2	2
* **	46	40977	Transformer 380/240V, 100VA, (Optional)	1	1
		40984	Transformer 415/240V, 100VA, (Optional)	1	1
		40980	Transformer 480/240V, 100VA, (Optional)	1	1
		40985	Transformer 600/240V, 100VA, (Optional)	1	1

* NOT SHOWN.

** SELECT AS REQUIRED.

PARTS LIST, ELECTRIC MODULAR UNITS, MODELS BCH-30, BCH-40

FIGURE 2



5391-2R0

FIGURE 2

<u>ITEM</u>	<u>Part No.</u>	<u>DESCRIPTION</u>	<u>QUANTITY</u>
1	40786	Hose Assembly	2
2	40787	Flow Control	2
3	40788	Elbow	2
** 4	40649	Motor ½ HP 115/208/230/1/60	1
	40650	Motor ½ HP 380/480V, (Optional)	1
	40651	Motor ½ HP, 220/50, (Optional)	1
5	40652	Directional Valve	1
6	43376	Pump complete with Integral Relief Valve	1
7	40793	Manifold	1
8	41930	Breather	1
9	41929	Tank 1 Gallon	1
10	43377	Pin complete with Clips	1
11	40657	Street Elbow	2
12	40660	Cylinder	1
	42255	Cylinder Kit	
13	41932	Pin	1
14	41931	Clevis	1