



FLOOR STANDS for BCM & BCP COMBI OVENS

Project _____

Item No. _____

Quantity _____

All data is shown per oven section, unless otherwise indicated.

STANDARD FEATURES

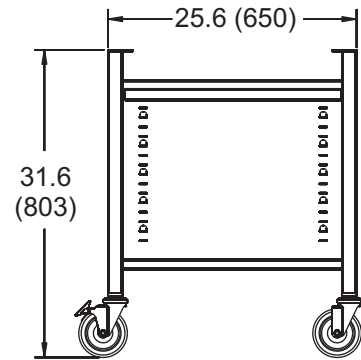
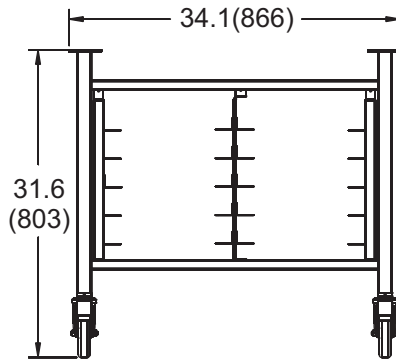
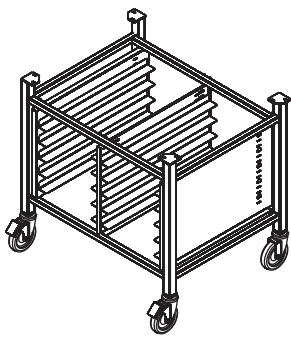
- Stainless steel construction
- Mounted on 6" adjustable legs or with casters for added mobility
- Storage for steam table or sheet pans
- Capable of being hosed down for cleaning

FLOOR STANDS

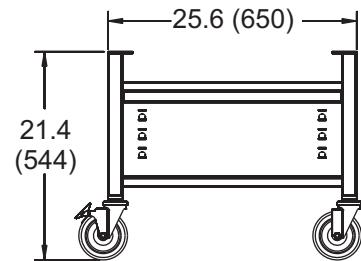
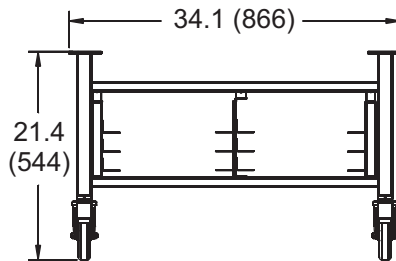
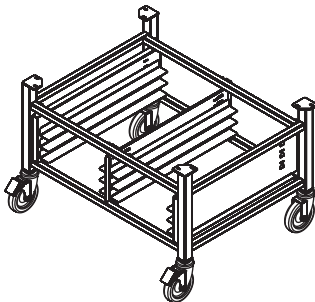
NOTES:

Dimensions are in inches (mm)

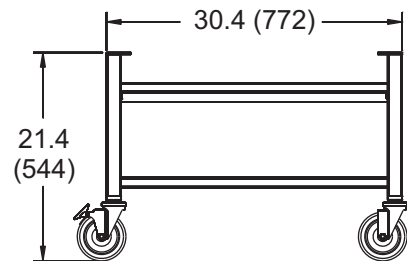
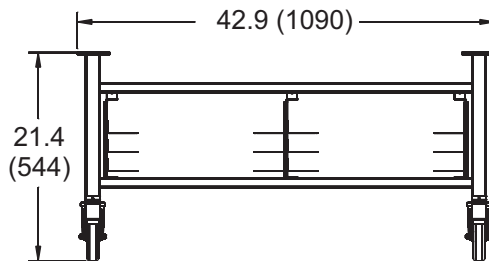
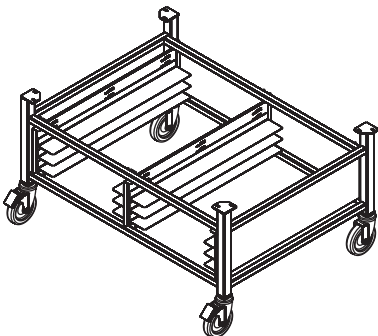
Shown with casters, dimensions do not change when ordered with legs in place of casters.



Stand with Runners for all BCP and BCM-61 ovens



Stand with Runners for all BCP and BCM-101 ovens



Stand with Runners for all BCP and BCM-102 ovens

NOTE: The company reserves the right to make substitutions of components without prior notice

BLODGETT COMBI

www.blodgett.com

44 Lakeside Avenue, Burlington, VT 05401 • Phone: (802) 658-6600 • Fax: (802) 864-0183