



BC-14E and ZEPHAIRE-E PLUS
Synergy Combi Stacked on a Full-Size Electric Convection Oven



Shown with optional casters

**ZEPHAIRE E PLUS
OPTIONS AND ACCESSORIES**
(AT ADDITIONAL CHARGE)

- 6" (152mm) casters
- Extra oven racks
- 480 VAC, 3 phase
- Extended warranty

Project _____

Item No. _____

Quantity _____

Requires Blodgett stacking kit KS-88FS.

ZEPHAIRE E PLUS SPECIFICATIONS

EXTERIOR CONSTRUCTION

- Full angle-iron frame
- Stainless steel front, top, and sides
- Dual pane thermal glass windows encased in stainless steel door frames
- Porcelain door handle with simultaneous door operation
- Triple-mounted pressure lock door design with turnbuckle assembly
- Removable front control panel
- Solid mineral fiber insulation at top, back, sides and bottom

INTERIOR CONSTRUCTION

- Double-sided porcelainized baking compartment liner (14 gauge)
- Aluminized blower wheel
- Five chrome-plated racks, eleven rack positions with a minimum of 1-5/8" (41mm) spacing

OPERATION

- Three tubular heaters
- Solid state thermostat with temperature control range of 200°F (93°C) to 500°F (260°C)
- Two speed fan motor
- 1/3 horsepower blower motor with automatic thermal overload protection
- Control area cooling fan
- Two 50 watt commercial bake oven lamps

CAPACITY

- Extra depth baking compartment - accepts five 18" x 26" standard full-size baking pans in left-to-right or front-to-back positions.

STANDARD FEATURES

- Solid state manual controls with separate dials for thermostat and timer
- 6" (152mm) adjustable stainless steel legs
- 60 minute electric timer with buzzer
- One year parts and labor warranty*
- Three year limited oven door warranty*

* *For all international markets, contact your local distributor.*



BC-14E STACKED ON A ZEPHAIRE-E PLUS

BLODGETT COMBI

www.blodgett.com

44 Lakeside Avenue, Burlington, VT 05401 • Phone: (802) 658-6600 • Fax: (802) 864-0183



BC-14E and ZEPHAIRE-E PLUS

Synergy Combi Stacked on a Full-Size Electric Convection Oven



Shown with optional casters

BC-14G COMBI OPTIONS AND ACCESSORIES

(AT ADDITIONAL CHARGE)

- **Voltage options**
 - 480VAC 3 phase
 - 380/220VAC 3 phase
 - 415/240VAC 3 phase
 - 400/230VAC 3 phase
- Semi-Automatic Deliming pump that installs directly to the back of the unit with delivery hose and delimiting container
- Programmable digital controls with cook and hold and Vario Steam®
- Locking control panel
- Locking door hasp
- Tamper proof screws
- Additional stainless steel wire shelves
- Core temperature probe with digital readout
- Stainless steel back panel
- Chicken roasting rack
- Hot water/filtered water connection kit
- Extended warranty

BC-14E COMBI SPECIFICATIONS

EXTERIOR CONSTRUCTION

- Stainless steel top, front, sides and right hand door hinge
- Single pane tempered viewing window
- Door mounted condensate trough
- Well protected control panel
- Side mount, easily adjustable door hinges
- Roll out control panel exposes most serviceable parts
- Modular controls allow for field upgrade to digital controls

INTERIOR CONSTRUCTION

- Fully welded stainless steel frame
- Fully insulated cooking chamber
- Fixed drain bottom center of cavity
- Filterless grease slinging convection fan
- Easily removable stainless steel side rails

OPERATION

- Standard control with four function selection switch for steam, hot air, combined steam/hot air, cool down, Vario Steam® and steam on demand feature
- Solid state rotary dial thermostat - range 150-500°F (66-260°C)
- Motor driven 120 minute timer shuts down at elapsed time
- Two speed fan
- Magnetic door interlock switch shuts off oven when door is opened
- Open vented system. Condenses steam and drains away by-products of the cooking process, eliminates flavor transfer
- Self contained, self-flushing steam generator separate from cooking compartment for instant steam recovery when switching modes
- Delimiting light flashes when steam generator requires delimiting
- Delimiting container with manual pump for storing and dispensing delimiting solution. (See automatic delimiting option)

CAPACITY

- Fourteen 12" x 20" x 2-1/2" deep pans at 3-1/4" spacing
- Seven 18" x 26" deep pans at 3-1/4" spacing

STANDARD FEATURES

- Five (5) stainless steel wire shelves per section (capacity for 7)
- Delimiting bottle and pump assembly
- Pressure spray bottle for oven cleaning
- Hose and spray assembly for interior cleaning
- Two speed fan
- Water pressure regulator
- Drain kit assembly
- Start-up inspection service by factory authorized service agent
- One year parts and labor oven warranty*

* For all international markets, contact your local distributor.



BLODGETT COMBI

www.blodgett.com

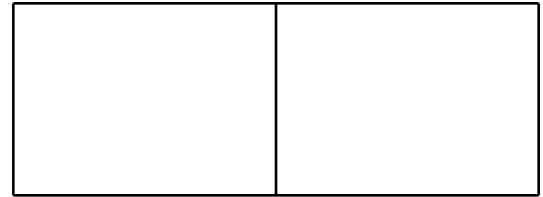
44 Lakeside Avenue, Burlington, VT 05401

Phone: (802) 658-6600 • Fax: (802) 864-0183

BC-14E STACKED ON A ZEPHAIRE-E PLUS

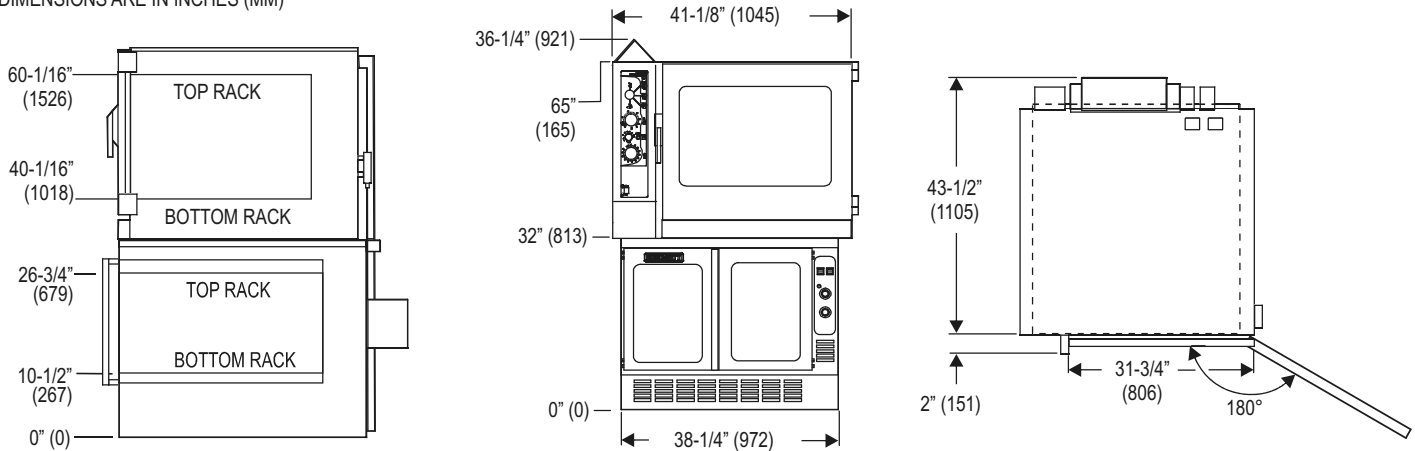


BC-14E STACKED ON A ZEPHAIRE-E PLUS



APPROVAL/STAMP

DIMENSIONS ARE IN INCHES (MM)



SHORT FORM SPECIFICATIONS

Provide Blodgett model BC-14E electric synergy combination-oven/steamer stacked on a model ZEPHAIRE E PLUS full-size convection oven.

BC-14E Combi - Unit have the ability to cook with pressureless steam, hot air, or combination of steam and hot air. Mechanical mode switch shall allow the operator to choose four modes, steam, hot air, combi or cool down mode. Timer to be 120 minute motor driven. Temperature control to be solid state with rotary knob. Unit shall include two speed fan, steam on demand feature, deliming indicator light and Vario Steam® feature. The interior shall have the capability of being hosed down for cleaning. Door gaskets shall be easily removable for replacement and cleaning. Unit shall be open vented for waist air quenching. Steam generator shall be separate from the cooking compartment in order to provide the fastest possible steam recovery. Steam generator shall flush automatically to cut down on mineral build up. A start-up inspection service will be performed by our factory authorized agent at no cost to the operator.

Zephaire E Plus - Shall have porcelainized steel liner and shall accept five 18" x 26" standard full-size bake pans in left-to-right or front-to-back positions. Doors shall have dual pane thermal glass windows with single porcelain handle and simultaneous operation. Unit shall be electrically heated with three tubular heaters. Air in baking chamber distributed by single inlet blower wheel powered by a two-speed, 1/3 HP motor with thermal overload protection. Each chamber shall be fitted with five chrome-plated removable racks. Control panel shall be recessed with Cook/Cool Down mode selector, solid state manual infinite thermostat (200 - 500°F), and 60-minute timer.

Provide options and accessories as indicated.

DIMENSIONS:

Product Clearance: 6" (rear), 1" (right side), 4" (left side) from combustible and non-combustible construction. 12" on left side if not on casters.

Additional Height:

6" adjustable legs 6-7/8" - 8" (174.6-203.2mm)

MINIMUM ENTRY CLEARANCE:

	BC-14E	Zephaire E Plus
Uncrated	33" (838mm)	32-1/16" (814mm)
Crated	42" (1066.8mm)	37-1/2" (953mm)

POWER SUPPLY - ZEPHAIRE E PLUS

208 VAC	60 Hz.	1 phase	11KW	51/0/51 Amperes,
208 VAC	60 Hz.	3 phase	11KW	31/29/29 Amperes,
220/240 VAC	60 Hz.	1 phase	11KW	44/0/44 Amperes,
220/240 VAC	60 Hz.	3 phase	11KW	26/24/24 Amperes,
440 VAC	60 Hz.	3 phase	11KW	15/14/14 Amperes,
480 VAC	60 Hz.	3 phase	11KW	14/13/13 Amperes,

1/3 HP, 2 speed motor, 1140 & 1725 rpm (60 Hz)
 (50 Hz. ovens for 400/230, 380Y/220 VAC or 415Y/240 VAC (4 wire) 3 phase are available)
 This oven contains a mercury relay. DO NOT put mercury relay in trash. Relay must be recycled or disposed of as hazardous waste.

POWER SUPPLY - BC-14E:

60 Hz Domestic

208VAC	18.0KW	1 phase (87 amp)	or 3 phase (50 amp)
240VAC	19.6KW	1 phase (82 amp)	or 3 phase (43 amp)
480VAC	18.0KW	3 phase (22 amp)	

50 Hz International

380/220VAC	16.5KW	3 phase (25 amp)
415/240VAC	19.6KW	3 phase (27 amp)
400/230VAC	18.0KW	3 phase (26 amp)

WATER SUPPLY (BC-14E only):

Minimum Water Quality - not to exceed 30 parts per million of dissolved solids. PH should be 7.0 or higher.
 40(min)-50(max) PSI 122°F (50°C) avg. drain temperature
 2" drain connection 3/4" hose cold water (Hot or filtered water optional, order part #R9603)

SHIPPING INFORMATION:

Approximate Weight:

BC-14E	680 lbs. (309 kg)
Zephaire E Plus	545 lbs. (247 kg)

Crate sizes:

BC-14E	53" H x 45" W x 42" D (1346.2 x 1143 x 1066.8mm)
Zephaire E Plus	37-1/2" (952mm) x 43-1/2" (1105mm) x 52" (1321mm)

NOTE: The company reserves the right to make substitutions of components without prior notice

BLODGETT COMBI

www.blodgett.com

44 Lakeside Avenue, Burlington, VT 05401 • Phone: (802) 658-6600 • Fax: (802) 864-0183