



## XR8-E

Electric Mini Rotating Rack Bakery Oven

XR8-E ROTATING RACK OVEN

Project \_\_\_\_\_

Item No. \_\_\_\_\_

Quantity \_\_\_\_\_

Standard depth baking compartment



XR8-E with 12 pan stand

### EXTERIOR CONSTRUCTION

- Fully welded angle iron frame
- Double pane tempered glass doors
- Semi-rigid mineral fiber insulation at top, back, sides and bottom
- Removable independent door design
- Control panel rotates out for easy access

### INTERIOR CONSTRUCTION

- 304 stainless steel interior
- Rotating rack can be removed without tools
- Rack slide spacing can be adjusted without tools in any configuration using 1" increments.
- Four side mounted halogen lights for superior illumination

### OPERATION

- Internal steamer system
- Holds 8 pans (18" x 26") based on 4" adjustable slide spacing
- Digital programmable controls
- Separate bake and steam times
- Cool-down mode
- Blower delay
- Two speed, 3/4 horsepower, convection motor with automatic thermal overload protection

### STANDARD FEATURES

- Pre-plumbed water lines
- 120V grounded power cord
- Two year parts and one year labor oven warranty\*

\* For all international markets, contact your local distributor.

### OPTIONS AND ACCESSORIES

(AT ADDITIONAL CHARGE)

- 12 pan stand with adjustable spacing, removeable crumb trays and low profile casters
- Adjustable feet in place of casters
- MenuSelect control can hold multi-stage programming for up to 99 products, includes Cook & Hold, core probe cooking and USB port
- Additional rack slides
- Wire rack for half-size pans



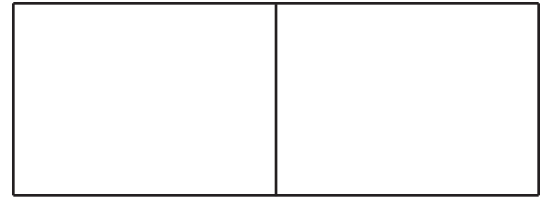
**BLODGETT OVEN COMPANY**

[www.blodgett.com](http://www.blodgett.com)

44 Lakeside Avenue, Burlington, VT 05401 • Phone: (802) 658-6600 • Fax: (802) 864-0183

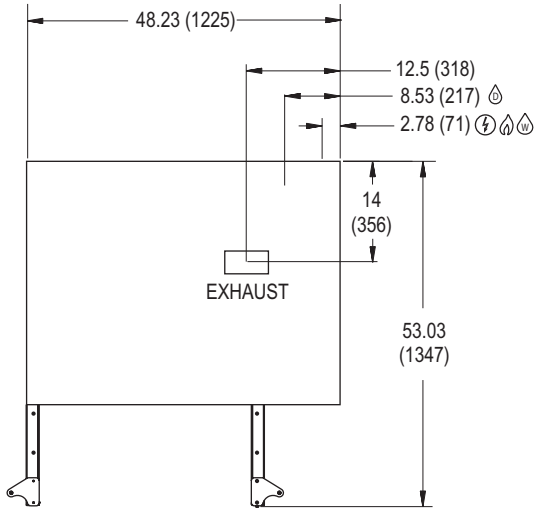


# XR8-E Rotating Rack Oven

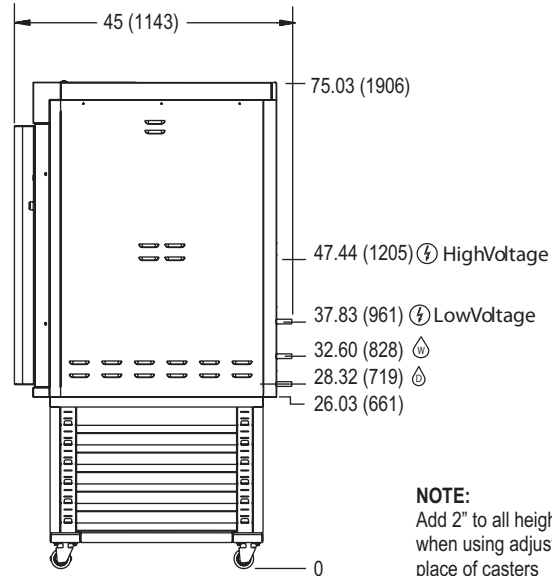


APPROVAL/STAMP

DIMENSIONS ARE IN INCHES (MM)



TOP VIEW



SIDE VIEW

**NOTE:**  
Add 2" to all height dimensions when using adjustable legs in place of casters

**SHORT FORM SPECIFICATIONS**

Provide Blodgett electric mini rotating rack bakery oven model XR8-E. Unit shall have a single compartment with fully welded angle iron frame, and 304 stainless steel interior. Unit shall accept eight 18" x 26" standard full-size bake pans and have rack slides with spacing that can be adjusted without tools in any configuration using 1" increments. Rotating rack shall be removable without tools. Unit shall have stainless steel front, top and sides. Doors shall be stainless steel, independent design with dual pane thermal glass windows. Unit shall have internal steamer system with pre-plumbed water lines. Unit shall be fitted with four side mounted, halogen lamps. Control panel shall be digital programmable controls, separate bake and steam times, cool-down mode, and blower delay. Manual cut-off switch on front panel. Two year oven parts and one year labor warranty. Provide options and accessories as indicated.

**DIMENSIONS:**

**Floor space** 48.23" (1225 mm) W x 40.27" (1023 mm) D  
**Interior** 32" (813 mm) W x 32" (813 mm) D  
**Product clearance**  
 0" from combustible and non-combustible construction

**MAXIMUM INPUT:**

XR8-E 18kW

**POWER SUPPLY:**

120VAC, 60 Hz, 1 phase, 15 amp maximum dedicated circuit and one of the following:

VAC	Hz	Phase	kW	Amperes (L1-L2-L3)
208	60	3	18	52/52/50
240	60	3	18	45/45/43
480	60	3	18	23/23/23

**NOTE:** The company reserves the right to make substitutions of components without prior notice

**COLD WATER SUPPLY:**

Pipe Size 3/4" GHT  
 Pressure 40-75 psi. (276-517 kPa)  
 Flow Rate 27 GPH (102 LPH)  
 Appliance is to be installed with backflow protection in accordance with Federal, State or Local codes.

**DRAIN:**

XR8-E 3/4" NPT rear drain connection

**MINIMUM ENTRY CLEARANCE:**

Uncrated\* 45" (1143 mm)  
 Crated 49.25" (1251mm)

\* Unit measures 34" (864) deep with the doors, control panel, and back panel removed.

**SHIPPING INFORMATION:**

**Approx. Weight:**

XR8-E 950 lbs. (431 kg)  
 Stand 175 lbs. (79 kg)

**Crate sizes:**

XR8-E 49.25" (1251mm) x 54.25" (1378mm)  
 Stand 54" (1371mm) x 34" (864mm) x 28" (711mm)

**BLODGETT OVEN COMPANY**

www.blodgett.com

44 Lakeside Avenue, Burlington, VT 05401 • Phone: (802) 658-6600 • Fax: (802) 864-0183