



## BLG-E

Electric Floor Model Braising Pan  
with Manual Gear Box Tilt



### OPTIONS AND ACCESSORIES

(AT ADDITIONAL CHARGE)

- **Voltage options**
  - 220 VAC, 3 phase, 60 Hz
  - 380 VAC, 3 phase, 60 Hz
  - 415 VAC, 3 phase, 60 Hz
  - 480 VAC, 3 phase, 60 Hz
  - 220/380 VAC, 1 phase, 60 Hz
  - 240/415 VAC, 1 phase, 60 Hz
  - 600 VAC, 3 phase, 60 Hz
- **Faucets**
  - Single pantry faucet with swing spout
  - Double pantry faucet with swing spout
- **Etched markings**
  - Gallons
  - Litres
- **Draw off valves**
  - 2" (50mm) draw off valve
  - 3" (76mm) draw off valve
- Pan carrier (40 gallon only)
- Steam pan insert
- Correctional package

Project \_\_\_\_\_

Item No. \_\_\_\_\_

Quantity \_\_\_\_\_

- Model BLG-30E (30 gallon electric braising pan with manual gear box tilt)
- Model BLG-40E (40 gallon electric braising pan with manual gear box tilt)

### CONSTRUCTION

- #4 finish 10 gauge stainless steel pan with polished interior
- One piece coved corner stainless steel pan with angled front for easy pour
- Narrow footprint
- 5/8" thick stainless steel clad plate
- Permanent lubricated, self-contained gear box tilt mechanism
- Welded stainless steel tubular legs with bullet feet on front legs and flanged adjustable feet on back legs, all adjustable

### OPERATION

- Integrally mounted controls
- Power switch
- Thermostat with OFF position
- Thermostat indicator light
- High temperature cut-off
- 160-445°F (71-230°C) temperature range

### STANDARD FEATURES

- Spring assist hinged stainless steel cover with handle
- No drip condensate guide
- Removable pour strainer
- Manual tilt action
- Standard voltage options
  - 208 VAC, 1 phase, 60 Hz
  - 208 VAC, 3 phase, 60 Hz
  - 240 VAC, 1 phase, 60 Hz
  - 240 VAC, 3 phase, 60 Hz
- One year parts and labor warranty\*

\* For all international markets, contact your local distributor.



BLG-E BRAISING PAN WITH MANUAL GEAR BOX TILT

**BLODGETT COMBI**

www.blodgett.com

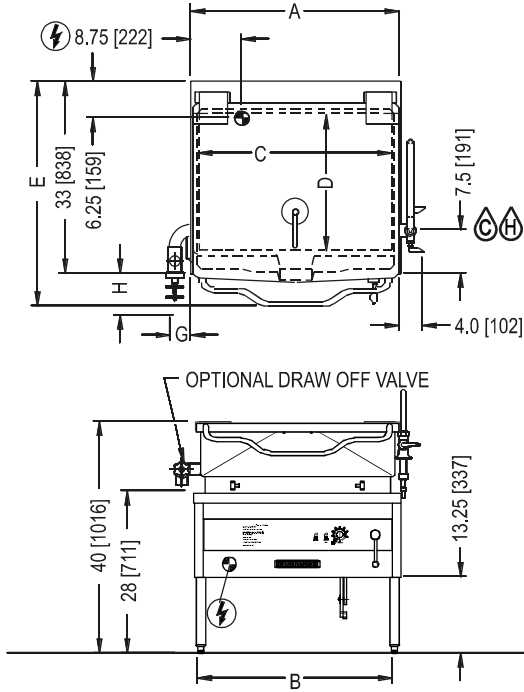
44 Lakeside Avenue, Burlington, VT 05401 • Phone: (802) 658-6600 • Fax: (802) 864-0183



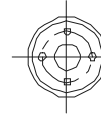
# BLG-E ELECTRIC BRAISING PAN WITH MANUAL GEAR BOX TILT



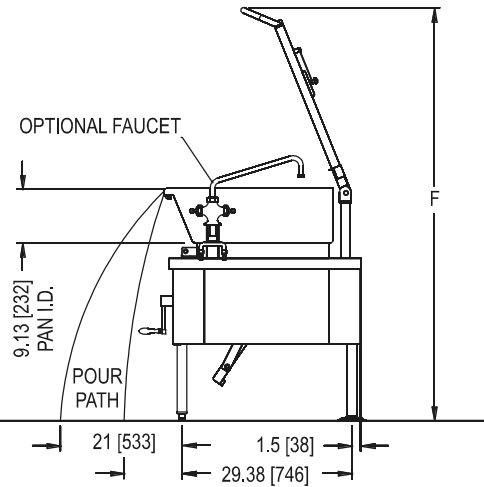
APPROVAL/STAMP



DIMENSIONS ARE IN INCHES [MM]



**REAR FLANGED FOOT DETAIL**  
4 EQUALLY SPACED  
Ø7/16" [11MM] HOLES  
ON 3 [76] B.C.



MODEL	A	B	C	D	E	F
BLG-30E	36[914]	33.63[854]	33.5[851]	23.5[597]	38.88[987]	71.38[1813]
BLG-40E	48[1219]	45.63[1159]	43.5[1105]	23.5[597]	39.38[1000]	70.88[1800]

VALVE DIAMETER	F	G
2"	3.6[92]	7.3[186]
3"	5.5[140]	13.1[333]

### SHORT FORM SPECIFICATIONS

Provide Blodgett model BLG-30E, 30 gallon (114 litre) or BLG-40E (152 litre) electric braising pan with manual gear box tilt. The unit shall have a one-piece covered corner, 10 gauge stainless steel pan with #4 exterior finish and polished interior. Pan shall have angled front for easy pour and a narrow footprint. Cooking surface shall be 5/8" thick stainless clad plate ensuring even heat transfer over entire cooking surface. The base exterior shall be of all stainless steel construction supported by an all welded 1-5/8" (41mm) stainless steel pipe frame with adjustable bullet feet and rear legs fitted with flange adjustable feet for securing to the floor. Unit shall have permanent lubricated, self-contained gear box tilt mechanism to allow the pan to tilt forward for complete emptying of contents. The controls enclosure shall provide a degree of protection against dripping and light splashing water and shall include a thermostat with OFF position and a range of 160-445°F (71-229°C), a thermostat indicator light, pan tilt switch that shuts elements off if tilted more than 5°, and high temperature cut-off set at 536°F (280°C) Provide options and accessories as indicated.

### MAXIMUM INPUT:

BLG-30E 12 kW  
BLG-40E 15 kW (18 kW option available)

### POWER CONNECTION:

Refer to data plate.

### WATER CONNECTION

Hot and Cold water 3/8" O.D. tubing to optional faucet

### SHIPPING INFORMATION:

#### Approx. Weight:

BLG-30E 595 lbs. (270 kg)  
BLG-40E 760 lbs. (345 kg)

		AMPS PER LINE						
kW	Phase	208V	220V	240V	380V	415V	480V	600V
12 kW	1	57.7	54.5	50	N/A	N/A	N/A	N/A
	3	33.3	31.5	28.9	18.2	16.7	14.4	11.5
15 kW	1	72.1	68.2	62.5	N/A	N/A	N/A	N/A
	3	41.6	39.4	36.1	22.8	20.9	18	14.4
18 kW Option	1	86.5	81.8	75	N/A	N/A	N/A	N/A
	3	50	47.2	43.3	27.3	25.0	21.7	17.3

**NOTE:** The company reserves the right to make substitutions of components without prior notice.

### BLODGETT COMBI

www.blodgett.com 44 Lakeside Avenue, Burlington, VT 05401 • Phone: (802) 658-6600 • Fax: (802) 864-0183