



**MARK V 200
ELECTRIC CONVECTION OVEN
REPLACEMENT PARTS LIST**

EFFECTIVE FEBRUARY 8, 2021

Superseding All Previous Parts Lists.

The Company reserves the right to make substitution in the event that items specified are not available.

ERRORS: Descriptive and/or typographic errors are subject to correction.

BLODGETT OVEN COMPANY

42 Allen Martin Drive, Essex Junction, Vermont 05452 USA Telephone: (802) 658-6600 Fax: (802) 860-3732
www.blodgett.com

P/N 59559 Rev F

SERIAL NUMBER LOCATION / KEY:

IMPORTANT: When ordering parts, please provide the model, voltage and serial number of the oven. The identification plate is located on the right side of the oven and behind the control panel.

- ☑ ASAP Distributor Required Stocking Parts
- ◆ Doors Are Not Returnable
- * Item Is Too Large For UPS

**SERIAL NUMBER IDENTIFICATION CODE:
CW = MARK V 200**

SERIAL NUMBER EXAMPLES

**121616CW001T
12/16/16 = DATE
CW = LETTER CODE FOR MARK V 200
001 = FACTORY SEQUENCE
T = TOP OVEN**

TO OBTAIN LITERATURE:

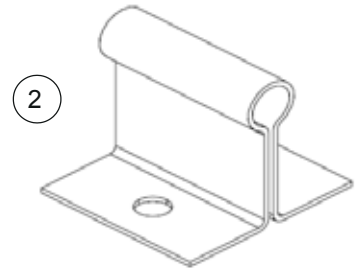
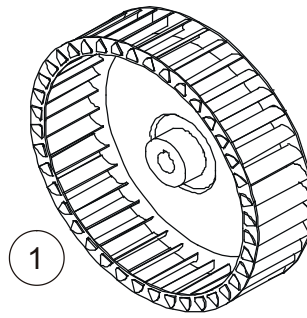
Email: literature@blodgett.com
or visit
www.blodgett.com

TABLE OF CONTENTS

INTERIOR COMPONENTS.....	4
DOOR COMPONENTS	4
SOLID STATE INFINITE CONTROL WITH DIGITAL TIMER	5
SOLID STATE INFINITE CONTROL WITH 60 MINUTE TIMER	6
SOLID STATE DIGITAL CONTROL.....	7
SIMPLE TOUCH CONTROL	8
ELECTRICAL COMPONENTS	10
EXTERIOR COMPONENTS	11
ROLL-IN UNIT AND PARTS.....	11

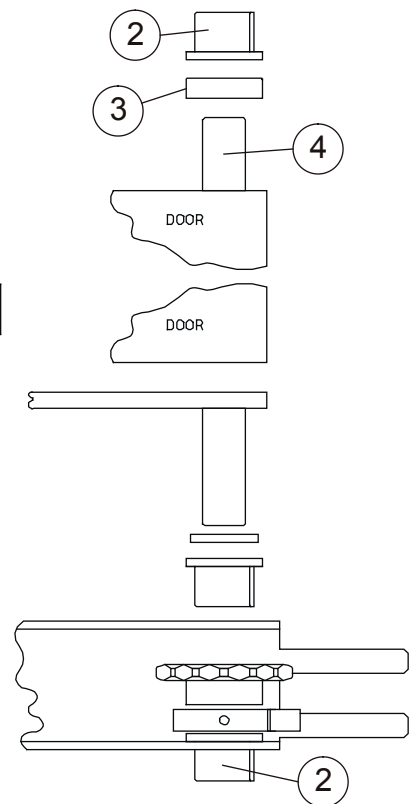
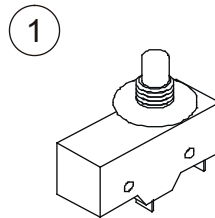
INTERIOR COMPONENTS

Ref. No.	Part No.	Description
1	5001	Blower Wheel Assy.
	16813	Liner Baffle, Porcelain
	16814	Liner Baffle, s/s
	20246	Rack, Oven (27-7/8" x 28-3/16")
	21422	Rack Support (Set of 2)
	90046	Support Assy., Baffle (Set of 4)
	19667	Motor Mount & Panel Assy.
2	33088	Clip, Thermostat Bulb RTD
	19639	Baffle Screen

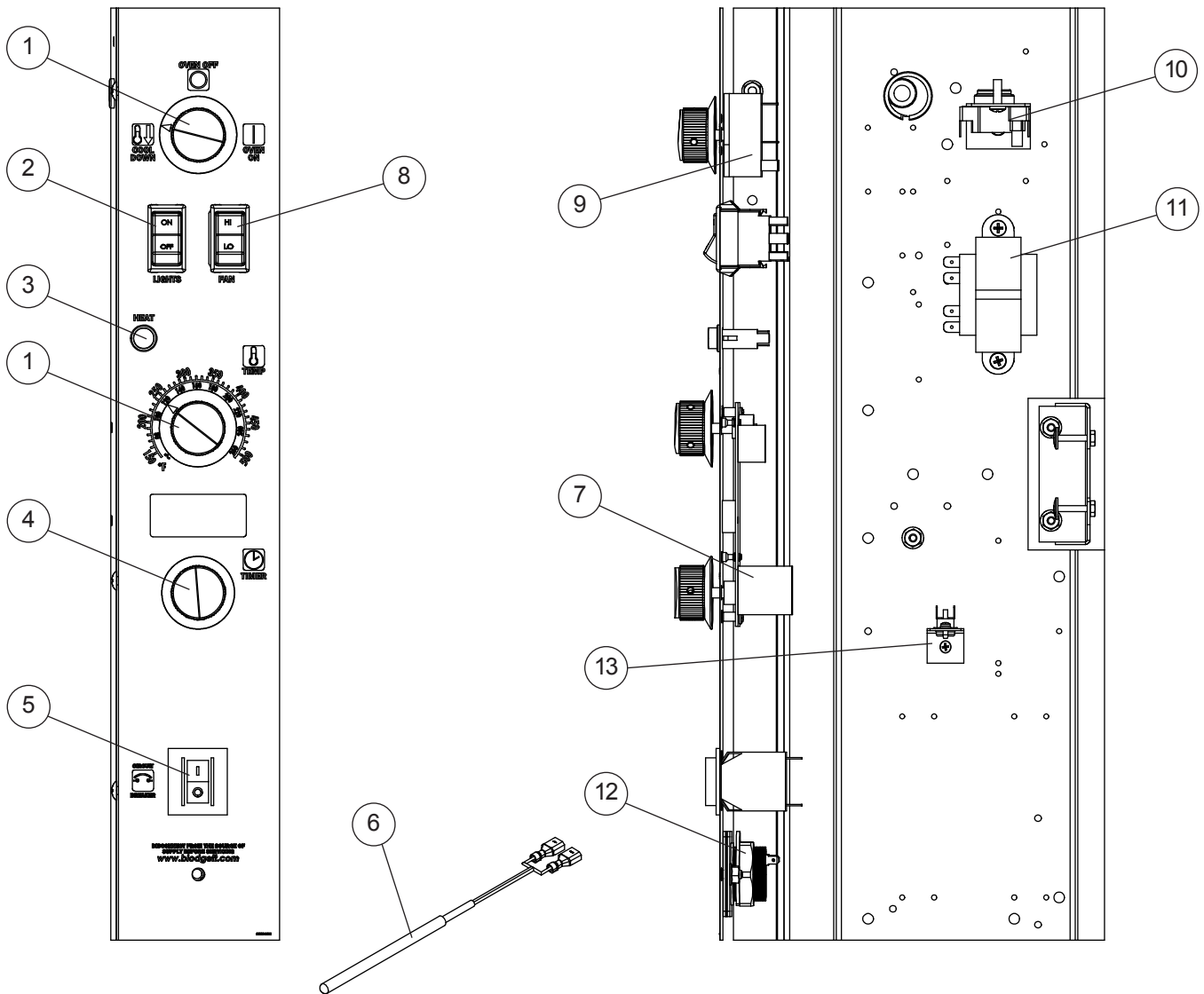


DOOR COMPONENTS

Ref. No.	Part No.	Description
◆	20806	Door Assy., Solid LH
◆	20805	Door Assy., Solid RH
◆	20804	Door Assy., Glass LH
◆	20803	Door Assy., Glass RH
1	35702	Microswitch
2	90004	Bushings, Door Hinge (Set of 2)
3	16657	Sleeve, Upper Door Bushing
4	17557	Hinge Pin, Upper Door
	9036	Window Assy., Drop In (10-1/8" x 17-1/8")
	17558	Handle, Porcelain Door
	18081	Top Plate, Door Handle
	17311	Trim, Center Door
	36606	Pressure Lock
	36876	Door Gasket, Perimeter
	36037	Support Assy., Lower Door
	4887	Chain & Turnbuckles, Door Operating



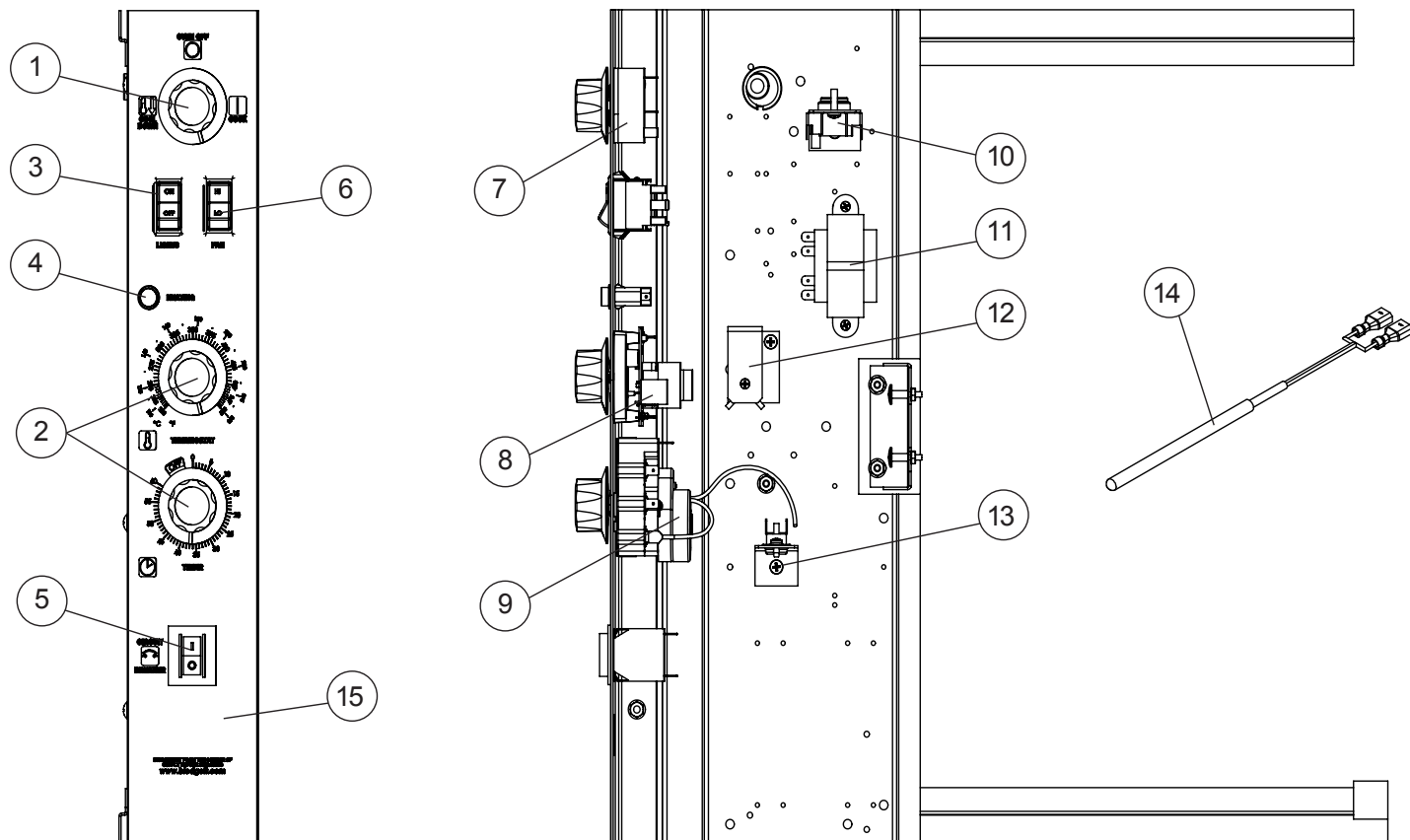
SOLID STATE INFINITE CONTROL WITH DIGITAL TIMER



Ref. No.	Part No.	Description
1	36616	Knob w/Arrow
2	6497	Light Switch, SPST, White
3	18265	Indicator Light, 28V
4	36617	Knob, w/o Arrow
5	36429	Circuit Breaker
6	57562	Probe, 1K Ohm, 3/16" terminals
	57563	Module Assy. w/probe
	57566	Panel & Decal, infinite w/digital timer

Ref. No.	Part No.	Description
7	100814	Temperature Control w/Digital Timer
8	20530	Blower Switch, 3PDT, Black
9	18868	Mode Switch w/o Knob, 3 Positions
10	36755	Thermal Switch
11	36700	Transformer, 120/240 to 24V
12	52668	Beeper
13	56760	Thermal Switch, Manual Reset

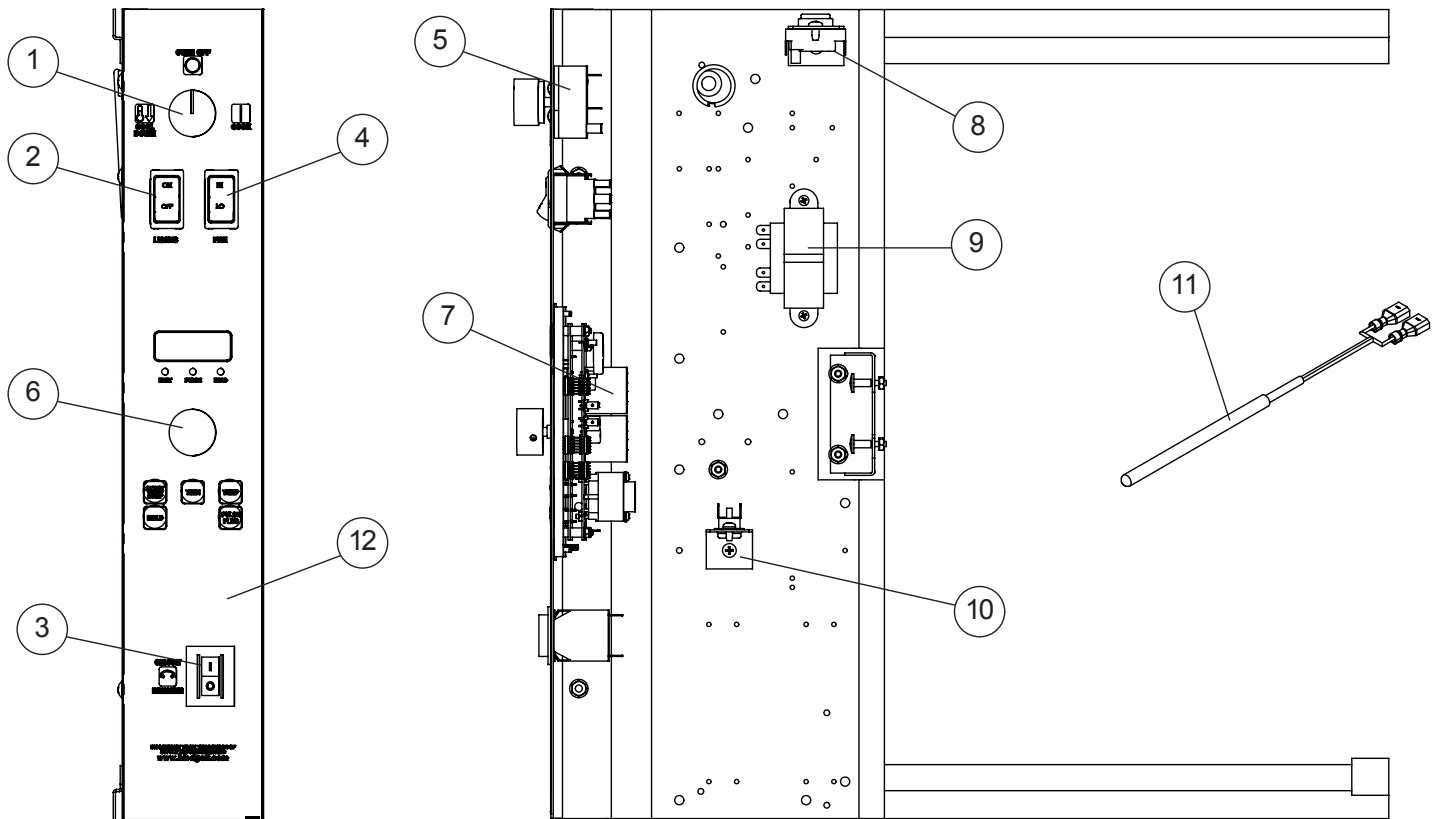
SOLID STATE INFINITE CONTROL WITH 60 MINUTE TIMER



Ref. No.	Part No.	Description
1	16686	Knob, Mode Switch
2	16686	Knob, Thermostat/Timer
3	6497	Light Switch, Rocker SPST White
4	18265	Light, Indicator 28V Red
5	36429	Circuit Breaker
6	20530	Blower Switch, Rocker 3PDT
7	18868	Mode Switch
8	57372	Thermostat, RTD

Ref. No.	Part No.	Description
9	18226	Timer, 60 Minute, 60 Hz
	20084	Timer, 60 Minute, 50 Hz
10	36755	Thermal Switch
11	36700	Transformer, 120/240 to 24V
12	20350	Buzzer, 240V
13	56760	Thermal Switch, Manual Reset
14	57562	Probe, 1k OHM, RTD 3/16" Terminals
15	57381	Panel & Decal

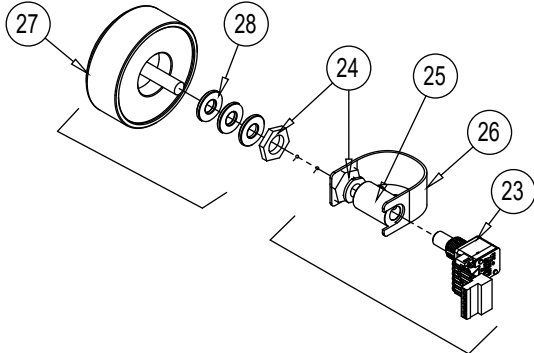
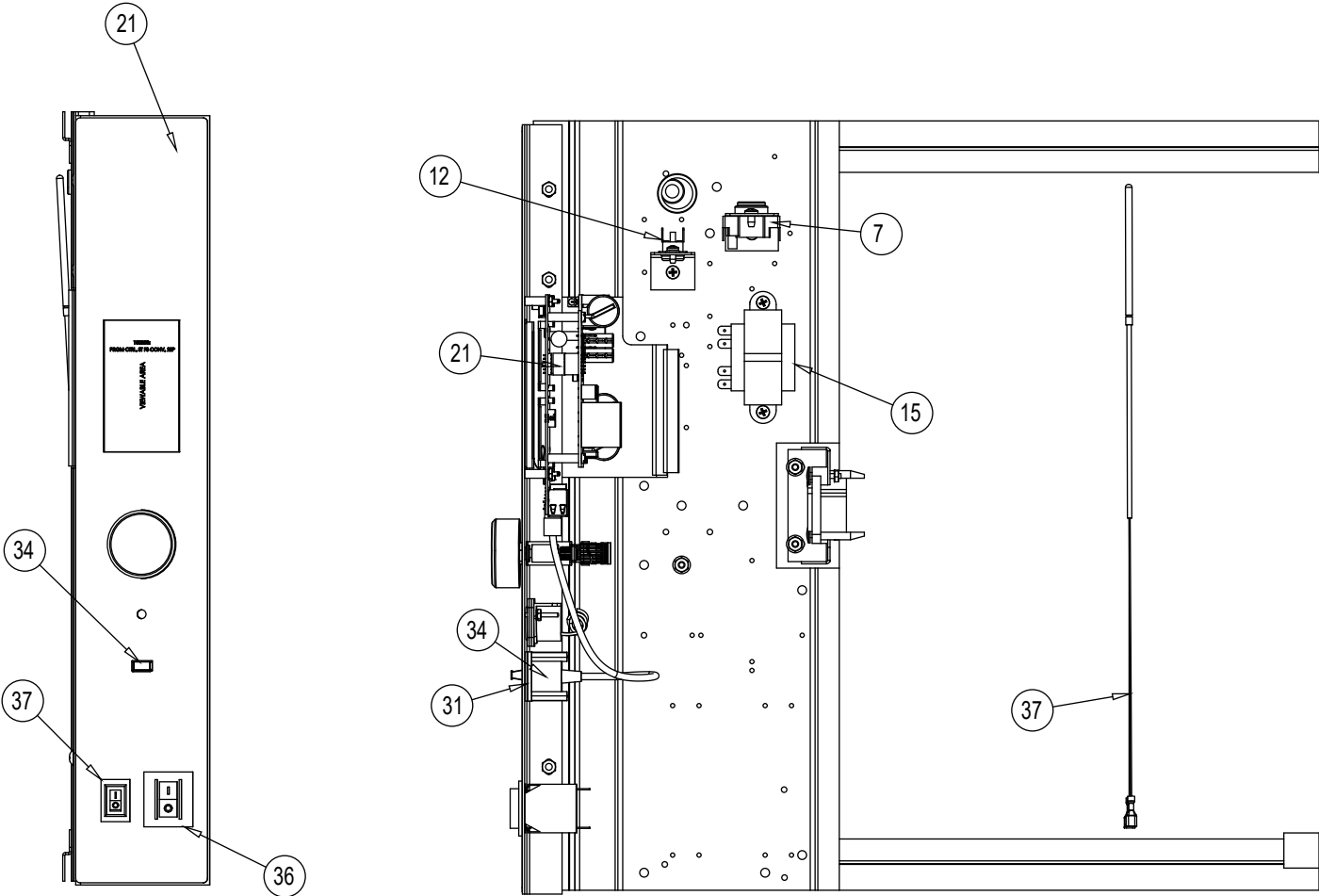
SOLID STATE DIGITAL CONTROL



Ref. No.	Part No.	Description
1	24684	Knob Mode
2	6497	Light Switch, Rocker SPST White
3	36429	Circuit Breaker
4	20530	Blower Switch, Rocker 3PDT
5	18868	Mode Switch
6	24685	Knob, Adjust

Ref. No.	Part No.	Description
7	58718	SSD Time/Temp Control
8	36755	Thermal Switch
9	36700	Transformer, 120/240 to 24V
10	56760	Thermal Switch, Manual Reset
11	57562	Probe, 1K OHM, RTD 3/16" Terminals
12	58719	Panel & Decal

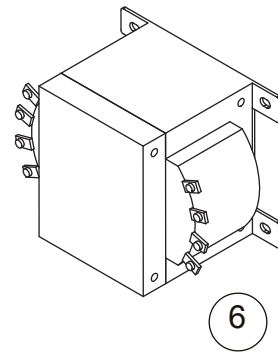
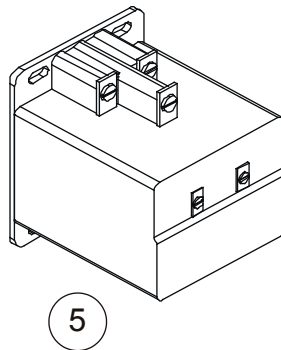
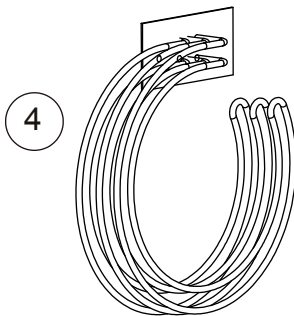
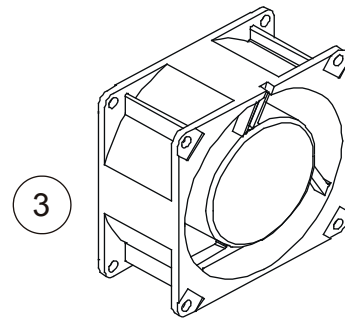
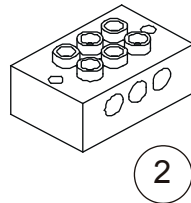
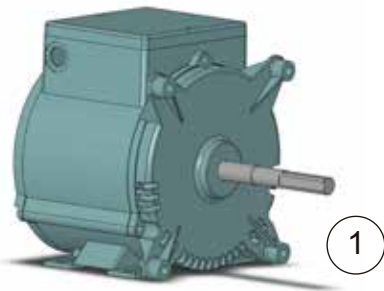
SIMPLE TOUCH CONTROL



SIMPLE TOUCH CONTROL

Ref. No.	Part No.	Description	Ref. No.	Part No.	Description
1	36483	PANEL, CONTROL MOUNTING	21	100258	PRGM CTRL, ST FS CONV, 2SP
2	M3950	#10-24 HEX FLANGED NUT	22	R5481	NUT, KEPS #4-40
3	100599	PANEL, CTRL MKV, ST	23	59282	ENCODER, MANUAL CONTROL
4	16384	10-24 X .500 TRUSS HEAD MACH SCREW	24	60337	SHAFT, LEAD IN
5	37488	BRACKET, THERMAL DISK	25	59439	COUPLING, 1/4", SET SCREW.
6	15247	SCREW, #10-16 X 5/8", SELF DRILLING	26	60342	PLASTIC BRACE
7	36755	SWITCH, THERMAL SPDT	27	60344	KNOB, ENCODER
8	4812	SCREW, MACH, #10 x 3/8	28	R0732	WASHER, FLAT, #10
9	56792	BRACKET, THERMAL SWITCH	29	53921	SPACER, REMOTE BUZZER
10	20785	SCREW, TAP, 8-32 x 3/8, PH PAN HEAD	30	53759	BUZZER, REMOTE
11	1296	WASHER, LOCK	31	59280	SPACER, FLUSH USB
12	56760	THERMAL SWITCH, MANUAL RESET	32	59434	STANDOFF, #4-40X1"
13	15847	GROMMET, RUBBER 11/16	33	100330	DUST COVER, USB
14	19087	GROMMET	34	59565	USB CABLE, STRAIGHT
15	36700	TRANSFORMER, 115/230V TO 24V 56VA	35	36429	CIRCUIT BREAKER
16	36655	BRACKET, DRAWER CONNECTOR	36	36376	SWITCH, GAS, ON/OFF
17	M9714	SCREW, SHOULDER, AMP CONNECTOR	37	56873	PROBE, 1K RTD 3/16 TERM
18	M3367	NUT, 6-32 KEPS	100613		HARNESS, MKV ST CTRL, RETRO (NOT SHOWN)
19	59378	EDGE PROTECTION			
20	100593	DECAL, DFG-ES, ST			

ELECTRICAL COMPONENTS



Ref. No.	Part No.	Description
1	32244	Motor, 208/240V, 1 PH, 2 Speed
2	17556	Terminal Block, 3 Pole
	3574	Terminal Block, 4 Pole
3	23034	Axial Fan, 230V
	M0571	Fan Guard
4	33245	Element, 208V

Ref. No.	Part No.	Description
	33244	Element, 240V
	20319	Element, 480V
5	38559	Contactator, 40 amp
	53235	Contactator, 65 amp
6	17754	Transformer, 480VAC, 1KVA

EXTERIOR COMPONENTS

<u>Ref. No.</u>	<u>Part No.</u>	<u>Description</u>
	37202	Trim Assy., Bottom S/S (w/o security package)
	21104	Flue Box, Single Oven
	21107	Flue Assy., Stacking (3 Piece)
	36407	Bodyside, RH S/S (11-21-05 and after)
	37205	Bodyside, LH S/S (11-21-05 and after)
	38981*	Bodytop S/S
	8600	Legs, 6" w/ Bolts, S/S (Set of 4)
	33196	Legs, 6" w/Bolts & Seismic Feet (Set of 4)
	8598	Legs, 25" w/ Bolts, S/S (Set of 4)
	7847	Leg Bolts (Set of 8)
	92000	Leg Studs (Set of 4)
	21053	Open Stand w/ Feet, S/S
	20878	Open Stand w/ Casters, S/S
	16002	Caster Kit, Sgl Oven (Set of 4)
	5779	Caster Kit, Dbl Oven (Set of 4)
	19528	Caster Kit, Low Profile (Set of 4))
	34565	Brackets, Dbl Stacking (Set of 2)
	54422	Side Heat Shield, Right or Left
	32874	Element Terminal Box

ROLL-IN UNIT AND PARTS

<u>Ref. No.</u>	<u>Part No.</u>	<u>Description</u>
	20517	Docking Plate Assy.
	8355	Docking Pins, Transport Cart (Set of 2)
	8356	5" Casters, Transport Cart (Set of 4)
	9052	Handle, Transport Cart (Sgl Oven)
	8359	Catch Mechanism, Transport Cart
	8357	Locking Bar, Transport Cart
	8358	Tracks & Shelf Assy., Transport Cart
	9015	Handle, Transport Cart (Dbl Oven)
	7931	Vertical Posts (Each)
	51659	Track, LH
	51660	Track, RH
	21089	Rack Stop, S/S
	7689	Transport Cart, CTRG
	8626	Transport Cart, CTRG-2
	24607	Roll-In Basket Dolly, DBRI-L
	11206	Roll-In Pan Rack, RPR-L9 (w/ 5 Racks)
	7590	Racks for Pan Rack, L9 (26" x 26")
	59657*	Front Trim Kit, Bodytop

NOTE* *For ovens pre-dating 03/10/2017 parts 38981 & 59657 must be purchased/replaced together*