



**VLF  
VENTLESS HOOD FOR  
FULL SIZE ELECTRIC CONVECTION OVENS  
REPLACEMENT PARTS LIST**

**EFFECTIVE DECEMBER 16, 2020**

*Superseding All Previous Parts Lists.*

*The Company reserves the right to make substitution in the event that items specified are not available.*

*ERRORS: Descriptive and/or typographic errors are subject to correction.*

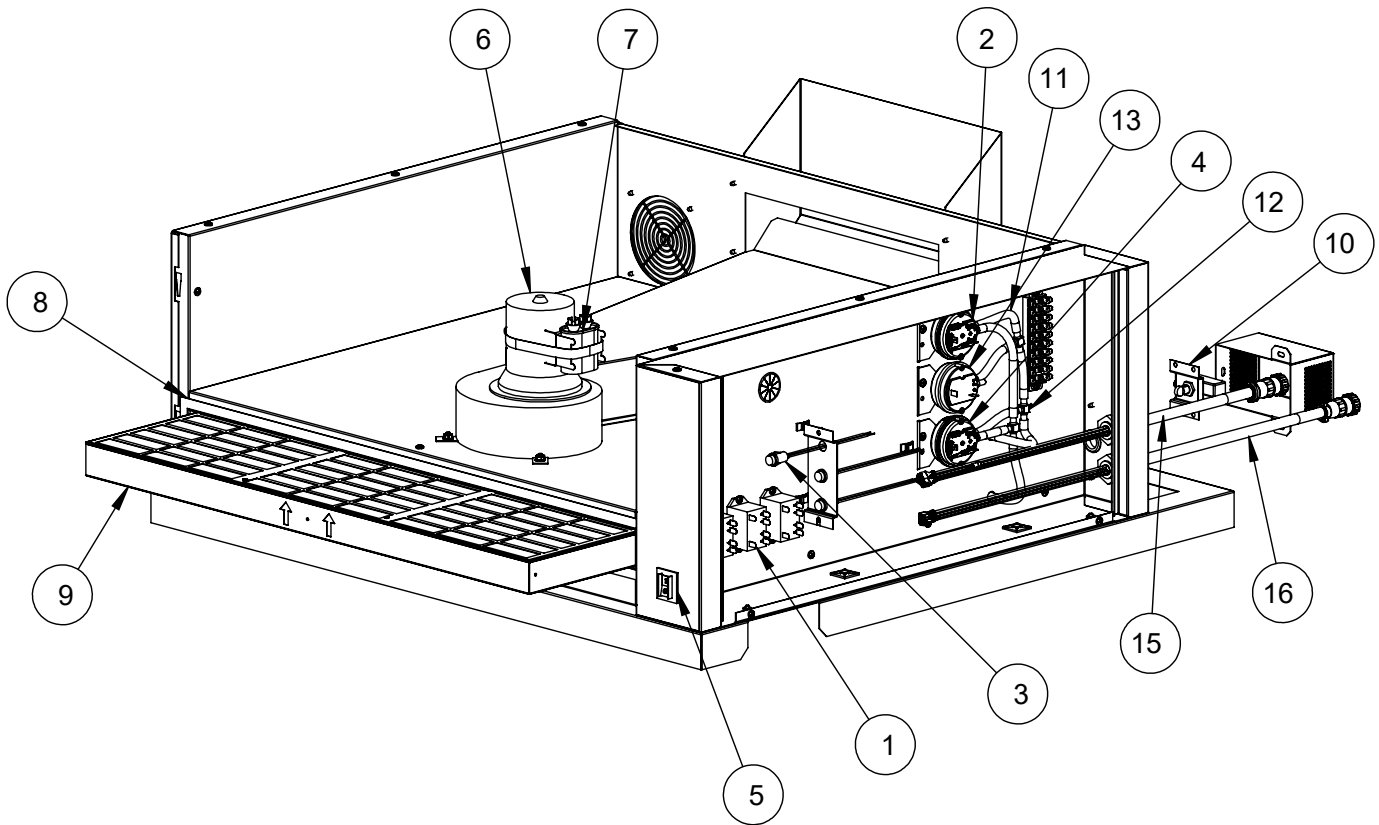
---

**BLODGETT OVEN COMPANY**

42 Allen Martin Drive, Essex Junction, Vermont 05452 USA Telephone: (802) 658-6600 Fax: (802) 860-3732  
[www.blodgett.com](http://www.blodgett.com)

*P/N 100826 Rev E*

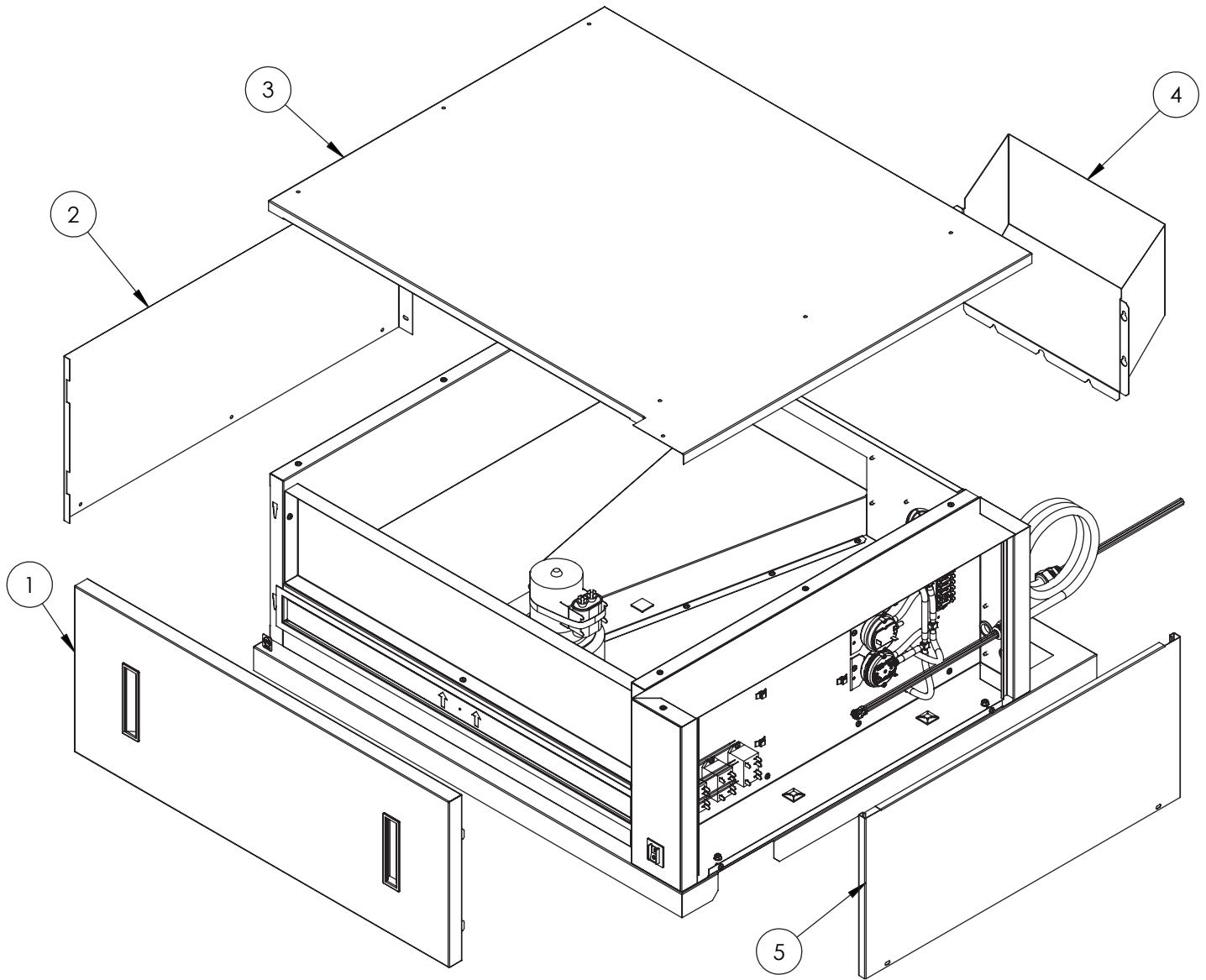
# VLF INTERIOR PARTS



Item	P/N	Description
1	31558	RELAY, DPST, 25A
2	100737	PRESSURE SWITCH SPDT, 0.40"
3	100745	CLEAR LENS LIGHT
4	100738	PRESSURE SWITCH, 0.25"
5	36429	CIRCUIT BREAKER, 10A
6	54672	BLOWER ASSY 208V-240V
7	38610	CAPACITOR, ELECTROLYTIC
8	61715	GASKET TAPE, SILICONE, 18

Item	P/N	Description
9	100668	FILTER ASSEMBLY
10	100805	FILTER SWITCH ASSEMBLY
11	M9705	TUBING, BLUE
12	100797	TEE
13	54802	PRESSURE SWITCH, 0.10"
14	100740	WIRING HARNESS, VLF (NOT SHOWN)
15	100969	CORD, VLF/VLH TO TOP QC
16	100970	CORD, VLF/VLH TO BOTTOM QC

# VLF EXTERIOR PARTS



Item	P/N	Description
1	100670	ASSY, FRONT PANEL
2	100665	BODYSIDE, LEFT
3	100662	PANEL, TOP
4	100784	VENT
5	100666	BODY SIDE, RIGHT