



**VLHV  
VENTLESS HOOD FOR  
HYDROVECTION OVEN MODELS  
HV-100E & HVH-100E  
REPLACEMENT PARTS LIST**

**EFFECTIVE DECEMBER 6, 2022**

*Superseding All Previous Parts Lists.*

*The Company reserves the right to make substitution in the event that items specified are not available.*

*ERRORS: Descriptive and/or typographic errors are subject to correction.*

---

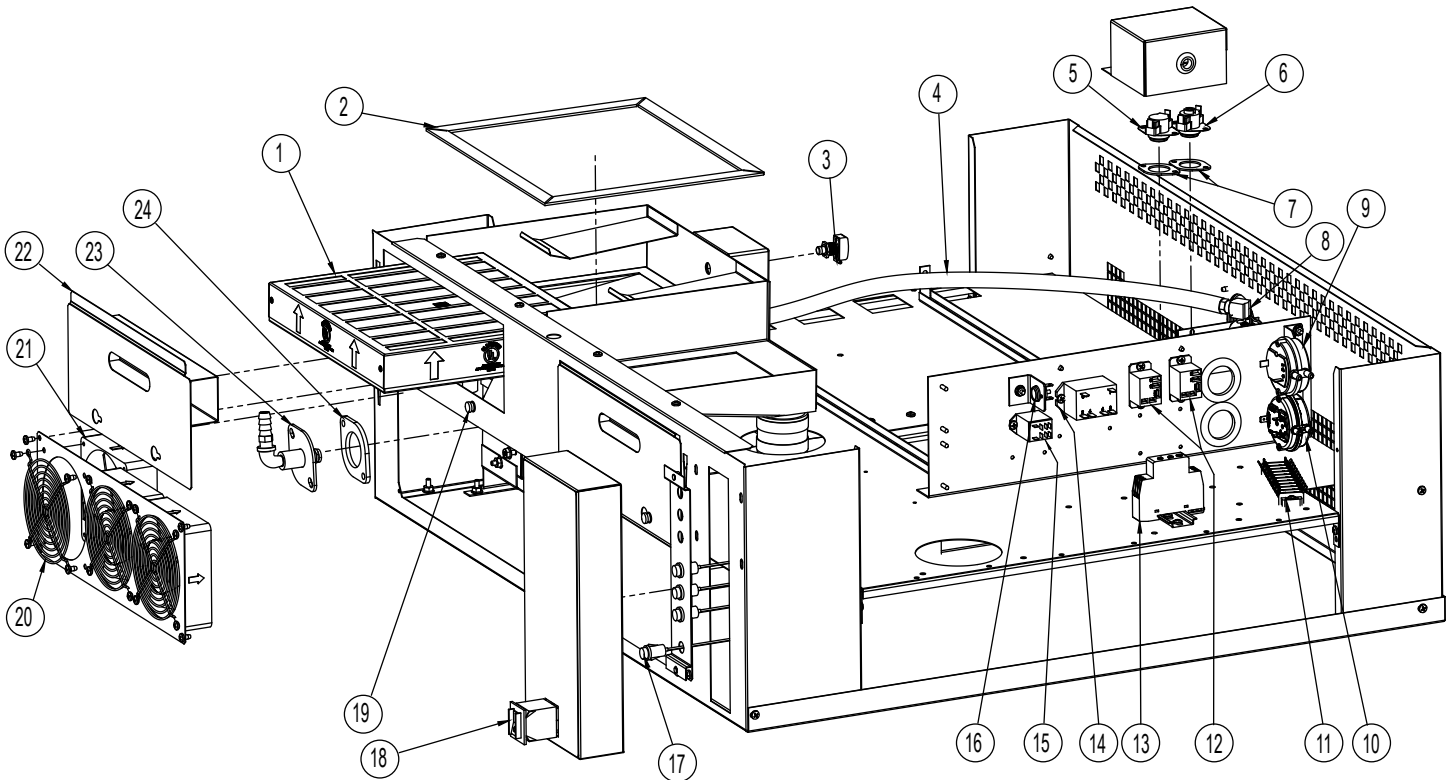
**BLODGETT OVEN COMPANY**

42 Allen Martin Drive, Essex Junction, Vermont 05452 USA Telephone: (802) 658-6600 Fax: (802) 860-3732  
[www.blodgett.com](http://www.blodgett.com)

*P/N 101339 Rev A*

# VLHV INTERIOR PARTS

## SINGLE OVEN CONFIGURATIONS

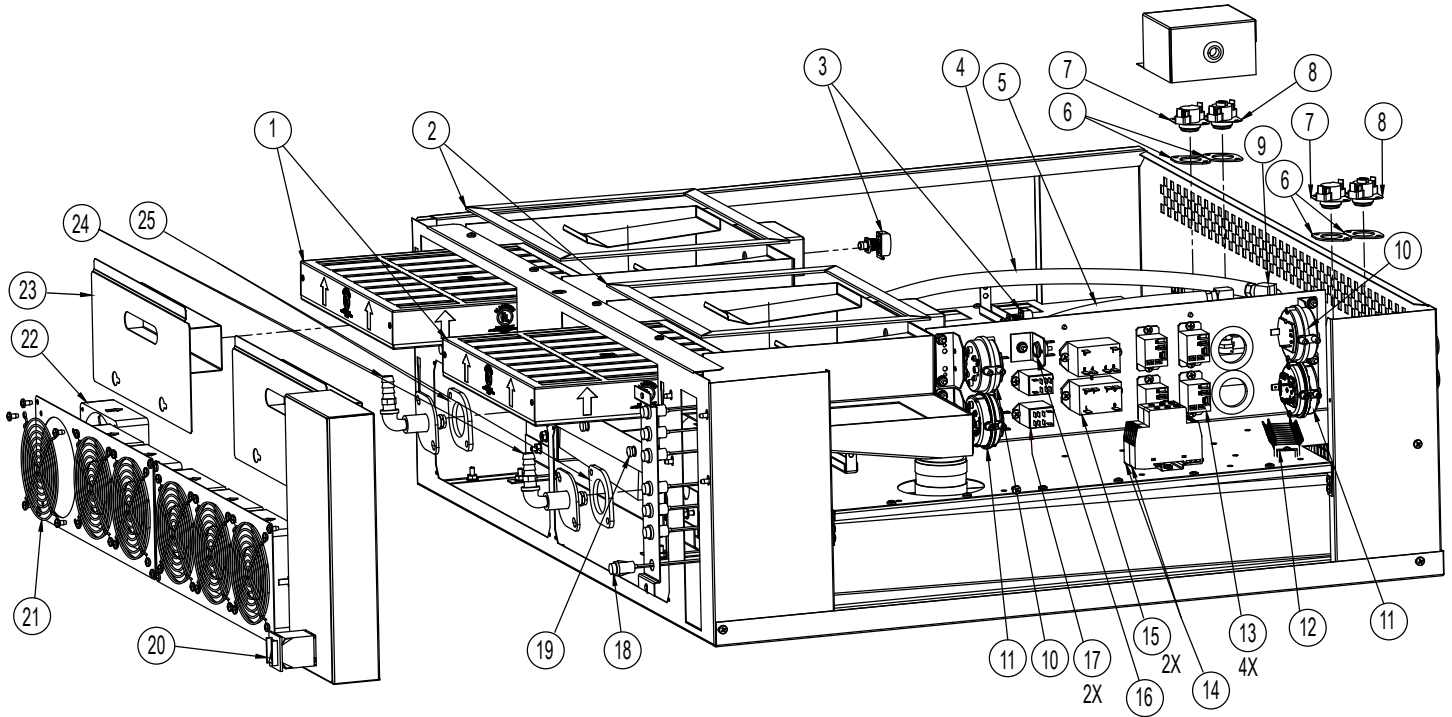


Item	P/N	Description
1	83036	ASSY, PASSIVE FILTER PF
2	101203	GASKET, VLHV FILTER HOUSING
3	83259	SWITCH, AIR FILTER
4	58270	SILICONE TUBING, 42" LONG
5	101248	SWITCH, THERMAL SPST
6	101249	SWITCH, THERMAL, MANUAL RESET
7	101289	GASKET, SNAP DISC
8	101325	ASSY, VLHV WATER SOLENOID, SINGLE
9	54802	PRESSURE SWITCH, 0.10" W.C.
10	100926	PRESSURE SWITCH, 0.15" W.C.
11	56733	TERMINAL BLOCK, 10 POLE
12	R0180	RELAY, SPST NO 240V
13	39784	TIMER, ASYMETRICAL RECYCLER
14	31558	RELAY, DPST, 208-240V
15	R0171	RELAY, SPD 220/240V COIL UP

Item	P/N	Description
16	56760	THERMAL SWITCH, MANUAL RESET
17	100745	CLEAR LENS LIGHT
18	39688	CIRCUIT BREAKER, 20A
19	SCR120	KNURLED THUMB SCREW
20	M0571	FAN GUARD, 4"
21	101350	VLHV COOLING FAN
22	101227	ASSY, VLHV FILTER ACCESS PANEL
23	101351	ASSY, VLHV WATER INJECTION
24	R3755	GASKET, P4
	100797	TEE, PRESSURE TUBE
	M9705	TUBING, SILICONE
	101335	HARNESS, VLHV SINGLE FRONT
	101336	HARNESS, VLHV SINGLE BACK
	101363	CORD, VLHV TO TOP, QC

# VLHV INTERIOR PARTS

## DOUBLE STACK CONFIGURATIONS

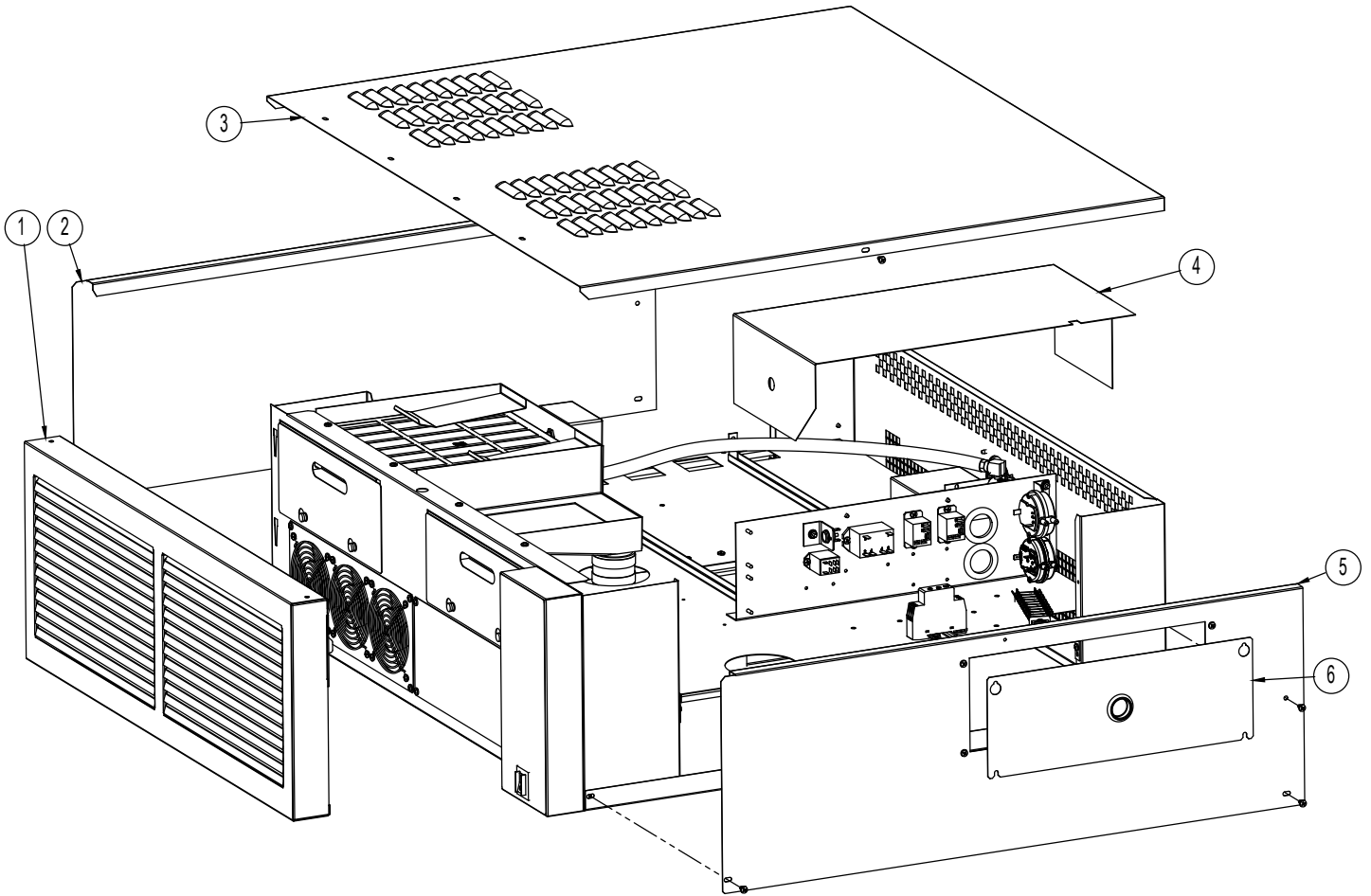


Item	P/N	Description
1	83036	ASSY, PASSIVE FILTER PF
2	101203	GASKET, VLHV FILTER HOUSING
3	83259	SWITCH, AIR FILTER
4	58270	SILICONE TUBING, 42" LONG
5	58270	SILICONE TUBING, 30" LONG
6	101289	GASKET, SNAP DISC
7	101248	SWITCH, THERMAL SPST
8	101249	SWITCH, THERMAL, MANUAL RESET
9	101326	ASSY, VLHV WATER SOLENOIDS, DOUBLE
10	54802	PRESSURE SWITCH, 0.10" W.C.
11	100926	PRESSURE SWITCH, 0.15" W.C.
12	56733	TERMINAL BLOCK, 10 POLE
13	R0180	RELAY, SPST NO 240V
14	39784	TIMER, ASYMETRICAL RECYCLER
15	31558	RELAY, DPST, 208-240V
16	56760	THERMAL SWITCH, MANUAL RESET
17	R0171	RELAY, SPDT 220/240V COIL UP

Item	P/N	Description
18	100745	CLEAR LENS LIGHT
19	SCR120	KNURLED THUMB SCREW
20	39688	CIRCUIT BREAKER, 20A
21	M0571	FAN GUARD, 4"
22	101350	VLHV COOLING FAN
23	101227	ASSY, VLHV FILTER ACCESS PANEL
24	101351	ASSY, VLHV WATER INJECTION
25	R3755	GASKET, P4
	100797	TEE, PRESSURE TUBE
	M9705	TUBING, SILICONE
	101335	HARNESS, VLHV SINGLE FRONT
	101336	HARNESS, VLHV SINGLE BACK
	101358	HARNESS, VLHV DBL FRONT
	101359	HARNESS, VLHV DBL BACK
	101363	CORD, VLHV TO TOP, QC
	100970	CORD, VLH/VLF TO BOTTOM, QC

# VLHV EXTERIOR PARTS

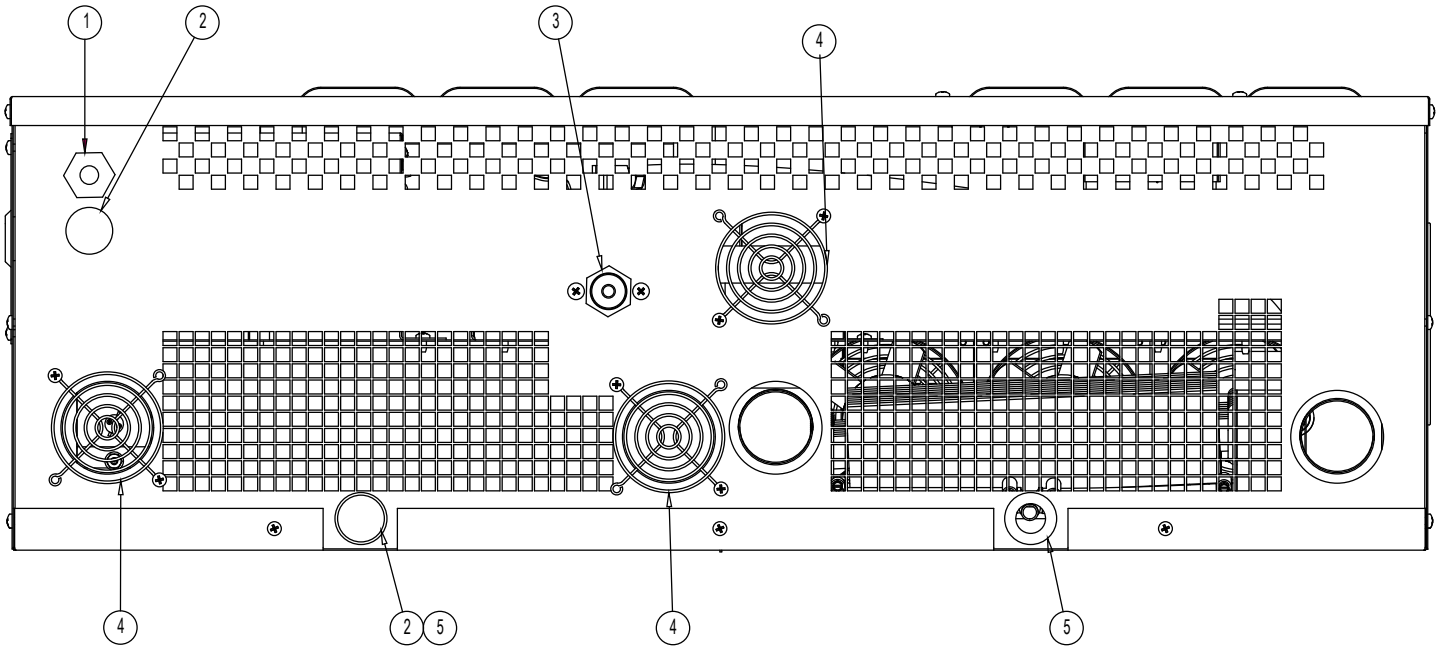
EXPLODED VIEW (SINGLE SHOWN, DOUBLE IS THE SAME)



Item	P/N	Description
1	101231	ASSY, FRONT GRILL
2	101224	BODYSIDE LEFT
3	101221	BODY TOP
4	101233	ELECTRICAL COMPARTMENT ROOF
5	101223	BODYSIDE RIGHT
6	101349	ASSY, VLHV ELECTRICAL ACCESS PANEL

# VLHV EXTERIOR PARTS

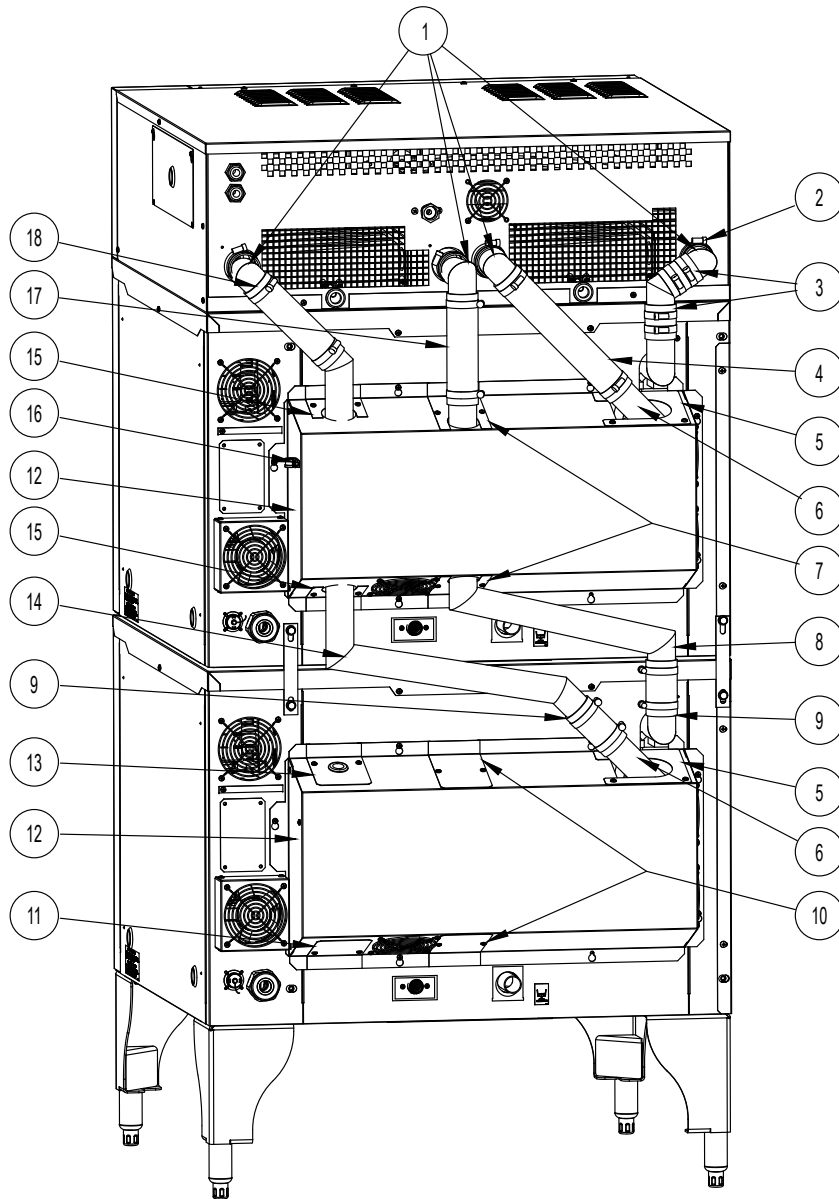
REAR VIEW (SINGLE SHOWN, DOUBLE SIMILAR)



Item	P/N	Description
1	M6029	CONNECTOR, LIQUID TIGHT
2	101328	PLUG, PLASTIC, SNAP IN
3	R9580	FITTING, 1/4" NPT TO GHT, SWIVEL
4	72386	FAN GUARD, 3"
5	4068	GROMMET, RUBBER

# VENTING PARTS

DOUBLE SHOWN



Item	P/N	Description
1	101201	CONDENSER VENT CONN
2	R2207	CLAMP, HOSE SS, 7/8 TO 2 3/4
3	52648	SILICONE HOSE, 2" I.D. 2.5" LONG
4	52648	SILICONE HOSE, 2" I.D. 13" LONG
5	101355	BODY BACK CLOSING PLATE
6	101180	RECIRC REDUCER AND DRAIN
7	101347	BODYBACK RISER BLOCK OFF PLATE
8	101173	BOTTOM OVEN RISER
9	52648	SILICONE HOSE, 2" I.D. 4" LONG
10	101347	BODYBACK RISER COVER
11	59172	BODYBACK FLUE COVER

Item	P/N	Description
12	101266	BODYBACK, ACCESS COVER, VLHV
13	101348	BODYBACK FLUE CVR, BTM DRN PORT
14	101181	BOTTOM RECIRC PIPE
15	101354	BODYBACK FLUE CVR, VLHV DBL TOP
16	101364	CLAMP, CUSHIONED CABLE
17	52648	SILICONE HOSE, 2" I.D. 8" LONG
18	52648	SILICONE HOSE, 2" I.D. 11" LONG
	101356	STRAIGHT CONNECTOR, BARBED, 1/2" I.D. TUBE
	58270	SILICONE TUBING