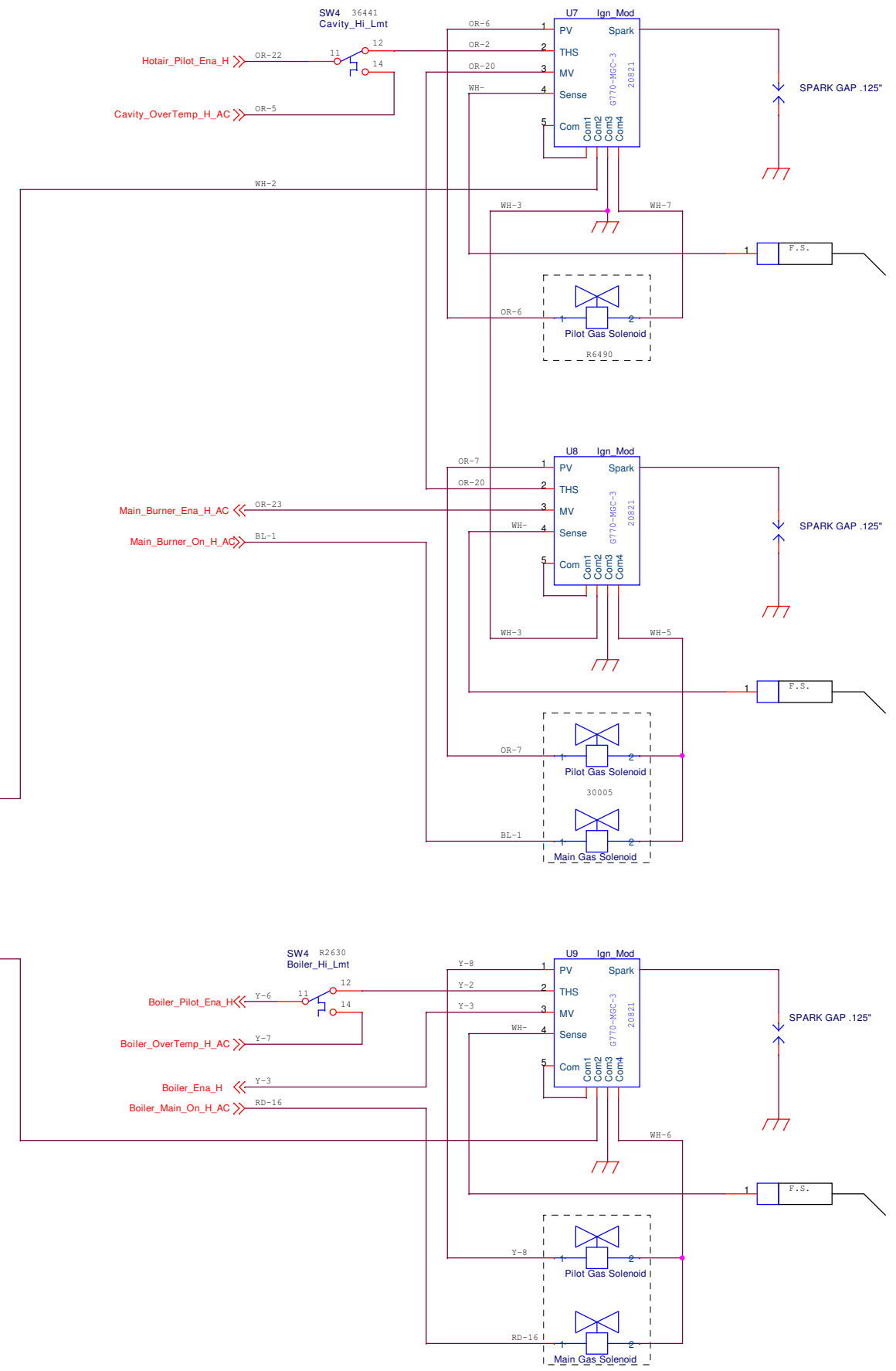
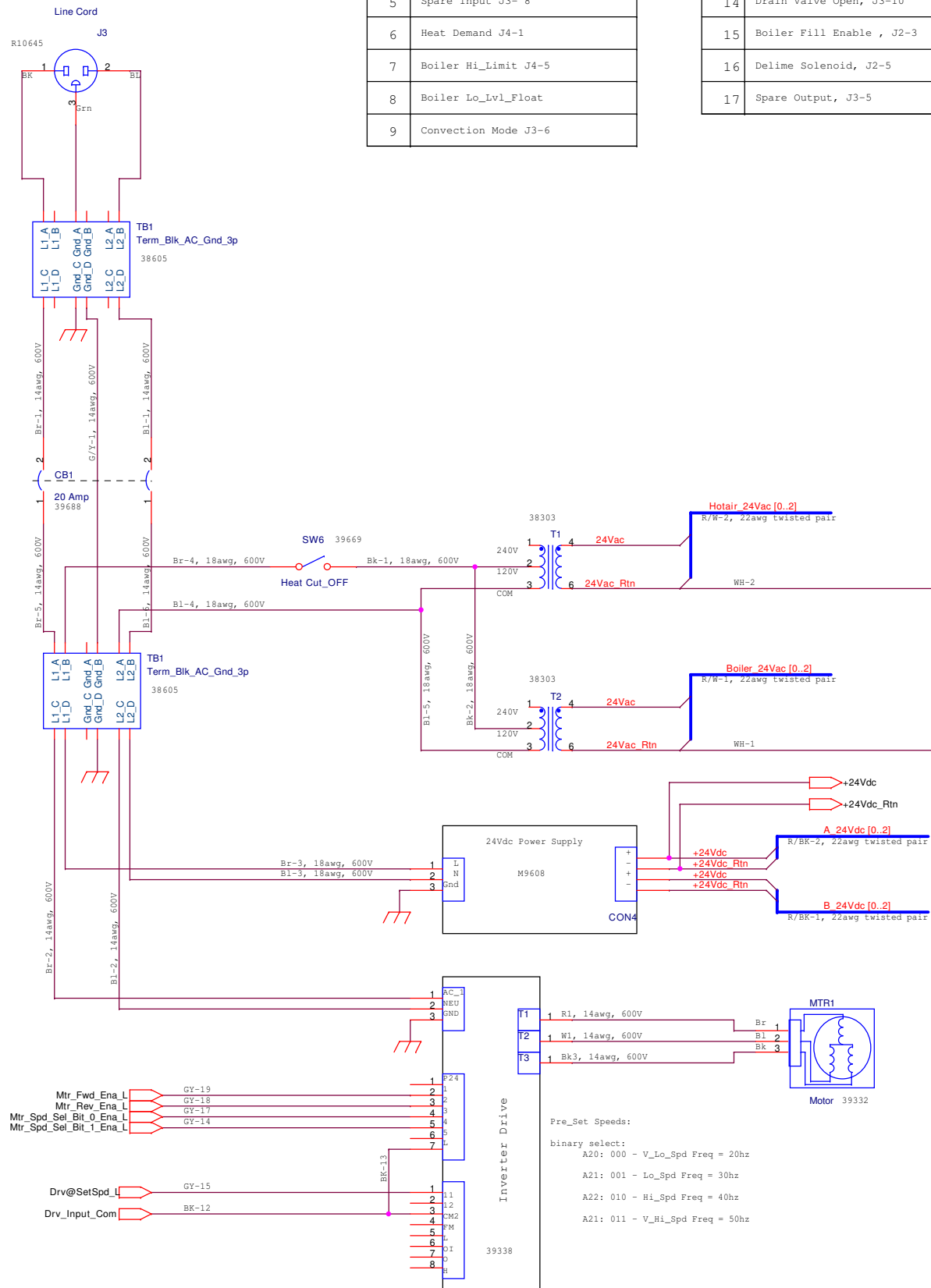


LED #	Description
1	Flush Disable (Boiler above 140F) J2-2
2	Combi Mode J3-1
3	Steam Mode J3-2
4	Steam Demand J3-7
5	Spare Input J3- 8
6	Heat Demand J4-1
7	Boiler Hi_Limit J4-5
8	Boiler Lo_Lvl_Float
9	Convection Mode J3-6

LED #	Description
10	Boiler Heat On
11	Delime Lamp - Flashing, Time to delime J4-4
12	Steam On Demand Lamp, J4-3
13	Convection Heat On, J4-2
14	Drain Valve Open, J3-10
15	Boiler Fill Enable , J2-3
16	Delime Solenoid, J2-5
17	Spare Output, J3-5



Wiring Harness Reference:  
 50030 - Hi Voltage Wiring Harness  
 50032 - Lo Voltage Wiring Harness  
 50109 - Front Control Panel Wiring Harness

**BLDGGETT COMBI**

Title: **BCX14G Manual Control Schematic**

Size: Document Number 39680 Rev 09

Date: Wednesday, April 18, 2007 Sheet 1 of 2