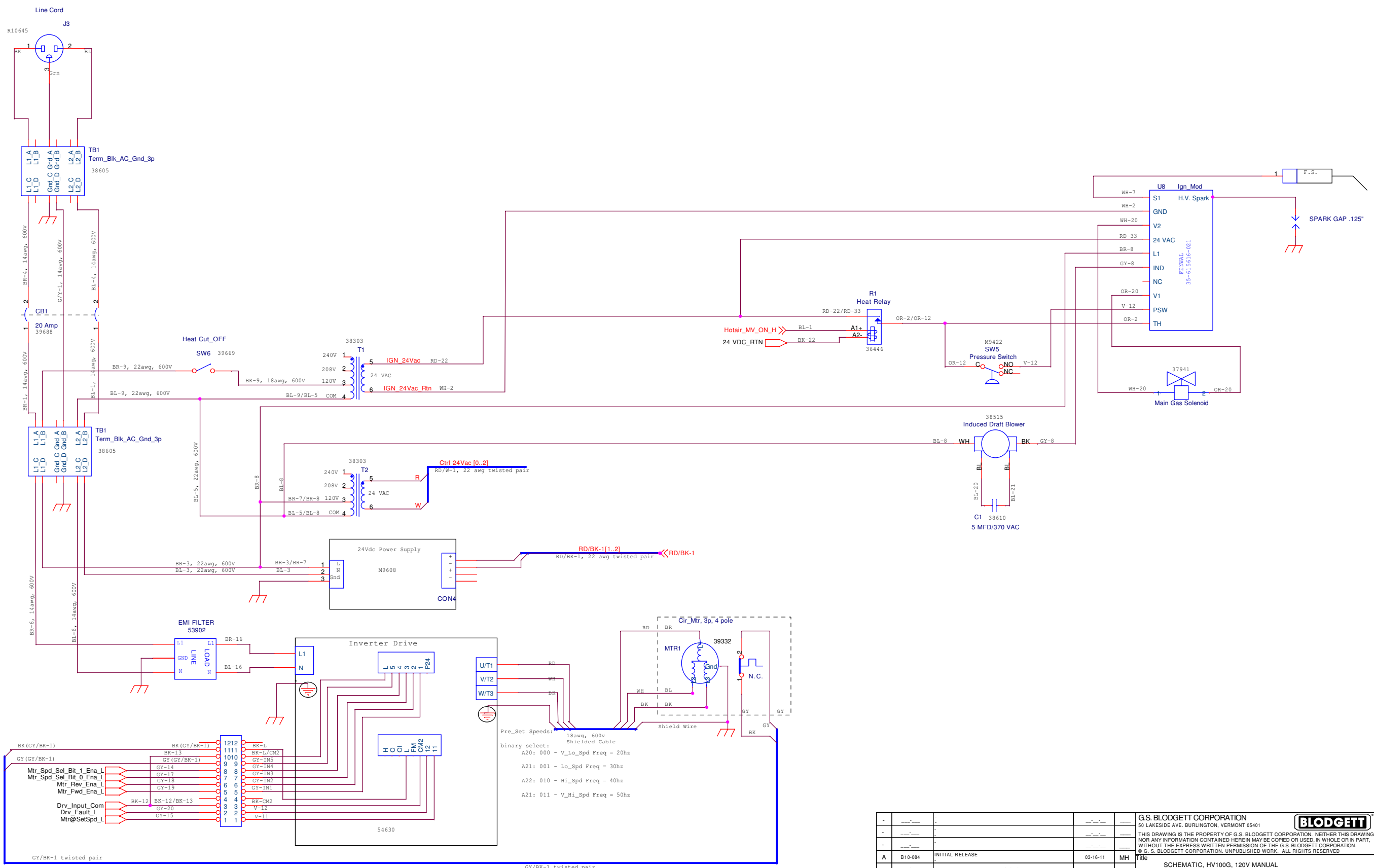


G.S. BLODGETT CORPORATION 50 LAKESIDE AVE. BURLINGTON, VERMONT 05401				<b>BLODGETT</b>	
THIS DRAWING IS THE PROPERTY OF G.S. BLODGETT CORPORATION. NEITHER THIS DRAWING NOR ANY INFORMATION CONTAINED HEREIN MAY BE COPIED OR USED, IN WHOLE OR IN PART, WITHOUT THE EXPRESS WRITTEN PERMISSION OF THE G.S. BLODGETT CORPORATION. © G.S. BLODGETT CORPORATION. UNPUBLISHED WORK. ALL RIGHTS RESERVED.					
REV	ECN	REVISIONS	DATE	APR BY	FILE
A	B10-084	INITIAL RELEASE	03-16-11	MH	
SCHEMATIC, HV100G, 120V MANUAL					
GAGE	TOLERANCES UNLESS OTHERWISE SPECIFIED			DWG	MH
MATL	XXX	XX	ANGULAR	HOLE	DATE 03-16-11 SHEET 1 OF 2
	±.015	±.03	±1°	±.005	SCALE NONE DRAWING NUMBER 54397
					REV A



-		G.S. BLODGETT CORPORATION	
-		50 LAKESIDE AVE. BURLINGTON, VERMONT 05401	
-		<b>BLODGETT</b>	
-		THIS DRAWING IS THE PROPERTY OF G.S. BLODGETT CORPORATION. NEITHER THIS DRAWING NOR ANY INFORMATION CONTAINED HEREIN MAY BE COPIED OR USED, IN WHOLE OR IN PART, WITHOUT THE EXPRESS WRITTEN PERMISSION OF THE G.S. BLODGETT CORPORATION.	
-		© G.S. BLODGETT CORPORATION. UNPUBLISHED WORK. ALL RIGHTS RESERVED.	
A	B10-084	INITIAL RELEASE	03-16-11 MH
REV	ECN	REVISIONS	DATE APR BY
GAGE	TOLERANCES UNLESS OTHERWISE SPECIFIED		DWG BY MH DATE 03-16-11 SHEET 2 OF 2 DRAWING NUMBER 54397 REV A
MATL	XXX XX ANGULAR HOLE ±.015 ±.03 ±1* ±.005		DATE 03-16-11 SCALE NONE