



## ZEPHAIRE 240E PLUS & ZEPHAIRE-100-E ELECTRICAL CONVECTION OVENS REPLACEMENT PARTS LIST



**EFFECTIVE FEBRUARY 19, 2020**

Superseding All Previous Parts Lists.

The Company reserves the right to make substitution in the event that items specified are not available.

ERRORS: Descriptive and/or typographic errors are subject to correction.

---

### **BLODGETT OVEN COMPANY**

42 Allen Martin Drive, Essex Junction, Vermont 05452 USA Telephone: (802) 658-6600 Fax: (802) 860-3732  
[www.blodgett.com](http://www.blodgett.com)

*P/N 53054 Rev N*

## SERIAL NUMBER LOCATION / KEY:

***IMPORTANT: When ordering parts, please provide the model, gas type and serial number of the oven. The identification plate is located on the left side of the combustion compartment and also above the control panel under the ledge.***

- ☑ ASAP Distributor Required Stocking Parts
- ◆ Doors Are Not Returnable
- \* Item Is Too Large For UPS

## SERIAL NUMBER IDENTIFICATION CODE:

**ZE = ZEPHAIRE 240E PLUS**

**CM = ZEPHAIRE-100-E**

## SERIAL NUMBER EXAMPLES

**092009ZE001T**

**09/20/09 = DATE**

**ZE = LETTER CODE FOR ZEPHAIRE 240E PLUS**

**001 = FACTORY SEQUENCE**

**T = TOP OVEN**

### **TO OBTAIN LITERATURE:**

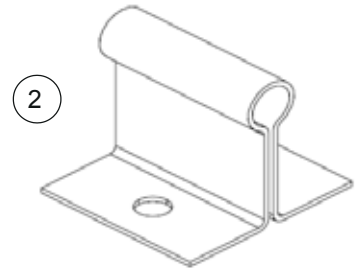
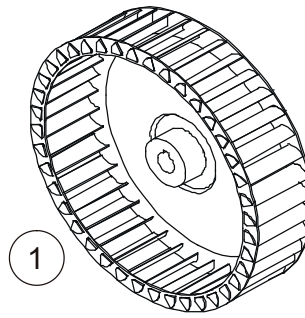
Email: [literature@blodgett.com](mailto:literature@blodgett.com)

or visit

[www.blodgett.com](http://www.blodgett.com)

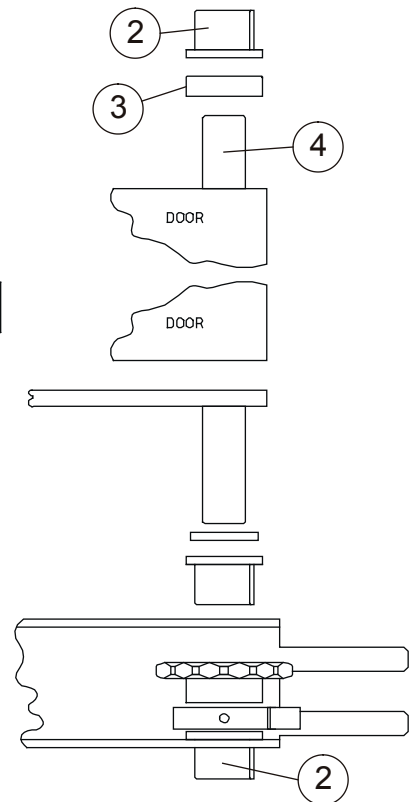
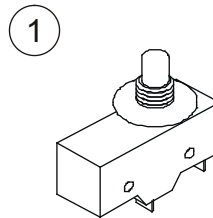
# INTERIOR COMPONENTS

Ref. No.	Part No.	Description
1	5001	Blower Wheel Assy.
	16813	Liner Baffle, Porcelain
	33939	Clip, Thermostat Bulb
	18768	Rack, Oven (20-7/8" x 28-3/16")
	19081	Rack Support (Set of 2)
	90046	Support Assy., Baffle (Set of 4)
	19667	Motor Mount & Panel Assy.
2	33088	Clip, Thermostat Bulb RTD

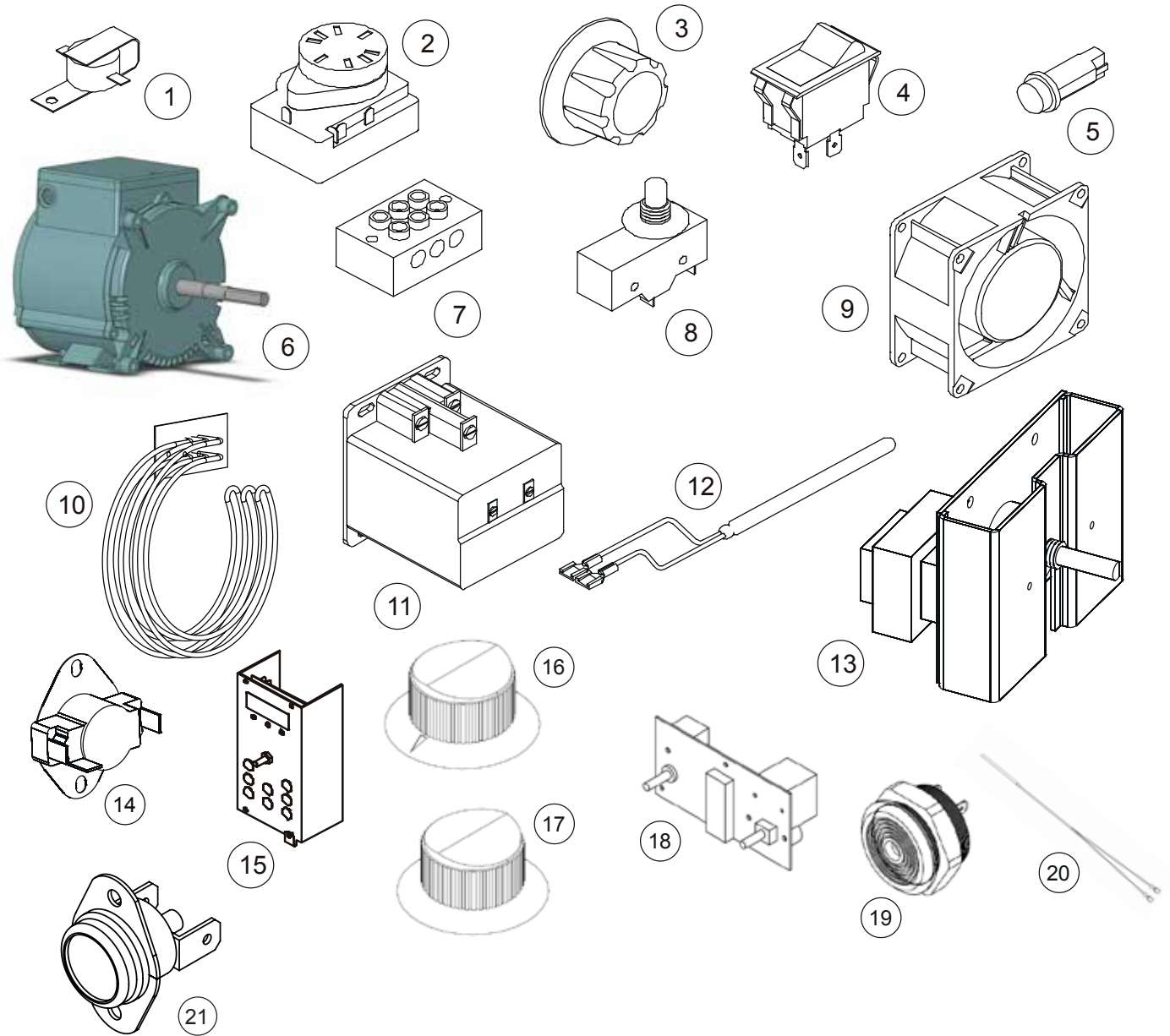


# DOOR COMPONENTS

Ref. No.	Part No.	Description
◆	20806	Door Assy., Solid LH
◆	20805	Door Assy., Solid RH
◆	20804	Door Assy., Glass LH
◆	20803	Door Assy., Glass RH
1	35702	Microswitch
	35419	Bracket, Microswitch
2	90004	Bushings, Door Hinge (Set of 2)
3	16657	Sleeve, Upper Door Bushing
4	17557	Hinge Pin, Upper Door
	9036	Window Assy., Drop In (10-1/8" x 17-1/8")
	17558	Handle, Porcelain Door
	18081	Top Plate, Door Handle
	17311	Trim, Center Door
	36606	Pressure Lock
	36876	Door Gasket, Perimeter After (12/01/2005)
	36037	Support Assy., Lower Door
	4887	Chain & Turnbuckles, Door Operating



# ELECTRICAL COMPONENTS



# ELECTRICAL COMPONENTS

<b>Ref. No.</b>	<b>Part No.</b>	<b>Description</b>	<b>Ref. No.</b>	<b>Part No.</b>	<b>Description</b>
1	20350	Buzzer, 240V		21414	Bracket, Terminal Block
2	18226	Timer, 60 Minute, 240V, 60 HZ		17754	Transformer, 480V to 240V
3	16686	Knob, Timer		32874	Box, Element Terminal Kit
3	16686	Knob, Thermostat		17250	Cover, Transformer Top
4	6502	Cool Down Switch, Rocker DPDT Red		21415	Mount, Transformer & Base Assy.
4	7636	Blower Switch, Rocker 3PDT Black 2 SP		36429	Circuit Breaker
4	16530	Light Switch, Rocker SPST White		36700	Transformer, 115/230-24V (8 terminals)
5	16037	Indicator Light, 250V, Red, Round	15	30658	SSD Time/Temp Controller, before 3/1/16
6	32244	Motor, 208/240V, 1 PH, 1/3 HP, 2 SP		58718	SSD Time/Temp Controller, after 3/1/16
7	17556	Terminal Block Assy.		57058	Halogen Lamp assy. (includes lens & bulb)
8	35702	Microswitch Kit		D0128	Halogen bulb, 12V, 20W, type G4 .16" between pins
	35419	Bracket Assy., Microswitch		57075	Halogen bulb, 12V, 20W, type G5.3 .21" between pins
9	23034	Axial Fan, 230V			
10	33245	Element Assy., 208V	16	36616	Knob, Thermostat (SSI-D)
10	33244	Element Assy., 240V	17	36617	Knob, Timer (SSI-D)
10	20319	Element Assy., 480V	18	100814	Control, Infinite w/Digital Timer, RTD (SSI-D)
11	90588	Contactora, 50 AMP	19	52668	Beeper (SSI-D)
12	18588	Probe, Temperature, 1/4" Diameter, 100K ohm	20	57562	RTD Probe, Temperature (1K RTD)
13	33152	Temperature Controller w/ Potentiometer, before 12/02/2015			
	57372	Temperature Controller w/Pot RTD , after 12/22/2015			
14	36755	Switch, Thermal Fan (axial fan only)			
21	56760	Manual Reset Compartment Switch			
	21419	Bracket, Contactor			

## EXTERIOR COMPONENTS

<u>Ref. No.</u>	<u>Part No.</u>	<u>Description</u>
	37202	Trim Assy., Bottom S/S (w/o security package)
	20443	Flue Box, Single Oven
	17486	Flue Assy., Stacking (3 Piece)
	31024	Control Panel & Decal, Manual Control, before 12/02/2015
	58738	Control Panel & Decal, Manual Control with lights, after 12/02/2015
	58684	Panel & Decal (SSI-D)
	100655	Panel & Decal (SSD), before 3/1/16
	58726	Panel & Decal (SSD), after 3/1/16
	36407	Bodyside, RH S/S (11-21-05 and after)
	37205	Bodyside, LH S/S (11-21-05 and after)
	38991*	Bodytop S/S
	8600	Legs, 6" w/ Bolts, S/S (Set of 4)
	8598	Legs, 25" w/ Bolts, S/S (Set of 4)
	7847	Leg Bolts (Set of 4)
	92000	Leg Studs (Set of 4)
	6486	Open Stand w/ Feet, S/S
	11416	Open Stand w/ Casters, S/S
	16002	Caster Kit, Sgl Oven (Set of 4)
	5779	Caster Kit, Dbl Oven (Set of 4)
	19528	Caster Kit, Low Profile (Set of 4)
	31803	Clips, Dbl Stacking (Set of 2)
	54422	Side Heat Shield, Right or Left
	59657	Front Trim Kit, Bodytop

**NOTE\*** *For oven pre-dating 03/10/2017 parts 38991 & 59657 must be replaced/purchased together*

## EXCLUSIVE TO SPRITZER

<u>Ref. No.</u>	<u>Part No.</u>	<u>Description</u>
	18267	Indicator Light, Blue 250V, before 12/1/2012
	18580	Push Button Switch & Contacts
	18308	Thru Pipe & Nozzle
	18314	Thermal Switch, SPNO
	30277	Right Angle Valve, 220V, before 12/1/2012
	30283	Water Filter, before 12/1/2012
	19014	Indicator Light, Amber, 28V, after 12/1/2012
	R10838	Valve Solenoid Coil, 24V, after 12/1/2012
	55276	Valve, after 12/1/2012
	36854	Spritzer Timer, after 12/1/2012
	20356	Transformer, spritzer
	37058	Motor Delay Relay

## ROLL-IN UNIT AND PARTS

<u>Ref. No.</u>	<u>Part No.</u>	<u>Description</u>
	20517	Docking Plate Assy.
	8355	Docking Pins, Transport Cart
	8356	5" Casters, Transport Cart
	9052	Handle, Transport Cart (Sgl Oven)
	8359	Catch Mechanism, Transport Cart
	8357	Locking Bar, Transport Cart
	8358	Tracks & Shelf Assy., Transport Cart
	9015	Handle, Transport Cart (Dbl Oven)
	7931	Vertical Posts (Each)
	19782	Track, LH
	18031	Track, RH
	21089	Rack Stop, S/S
	7689	Transport Cart, CTRG
	8626	Transport Cart, CTRG-2
	24608	Roll-In Basket Dolly, DBRI-S
	23582	Roll-In Pan Rack, RPR-S9 (w/ 5 Racks)
	8677	Racks for Pan Rack, S9 (19" x 26")